

**Standby & Prime: 50Hz & 60 Hz, 230/400V, 277/480V; 3-Ph**



Engine Model	Cat® C7.1 In-line 6, 4-cycle diesel
Bore x Stroke	105 mm x 135 mm (4.1 in x 5.3 in)
Displacement	7.0 L (427.8 in <sup>3</sup> )
Compression Ratio	18.2:1
Aspiration	Turbocharged Water cooled
Governor	Mechanical
Emission Strategy	Non-Certified Emissions

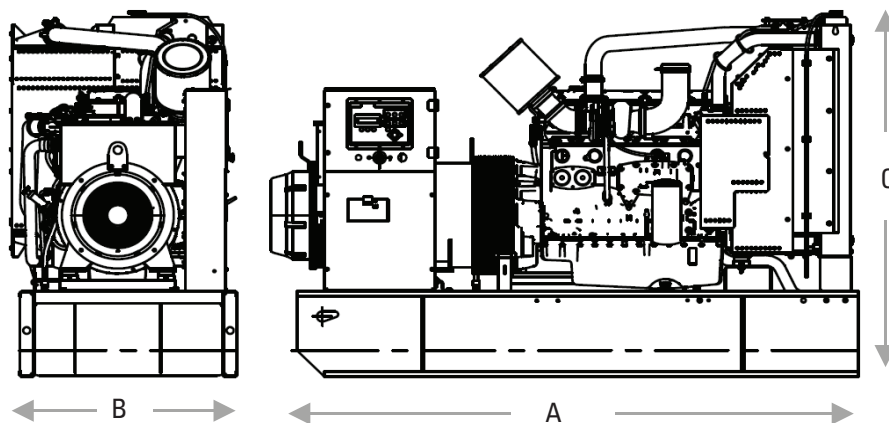
Model	Voltage/Frequency	Standby	Prime
DE150E0	400/230 V, 50 Hz	150 kVA, 120 ekW	135 kVA, 108 ekW
	480/277 V, 60 Hz	165 kVA, 132 ekW	150 kVA, 120 ekW

## PACKAGE PERFORMANCE

Technical Data	50 Hz		60 Hz	
	Standby	Prime	Standby	Prime
Engine Speed: RPM	1500		1800	
Gross Engine Power: kW (hp)	136.9 (184.0)	123.7 (166.0)	155.4 (208.0)	140.5 (188.0)
BMEP: kPa (psi)	1562.0 (226.5)	1411.0 (204.6)	1477.0 (214.2)	1336.0 (193.7)
Regenerative Power: kW	6.2		7.0	
<b>Fuel System<sup>1</sup> : L/hr (US gal/hr)</b>				
110% Load	-NA-	-NA-	33.4 (8.8)	36.7 (9.7)
100% Load	33.4 (8.8)	36.7 (9.7)	29.9 (7.9)	33.1 (8.7)
75% Load	24.9 (6.6)	27.5 (7.3)	22.6 (6.0)	25.5 (6.7)
50% Load	17.6 (4.6)	20.7 (5.5)	16.2 (4.3)	19.7 (5.2)
Fuel Filter Type	Replaceable Element			
Recommended Fuel	Class A2 Diesel or BSEN590			
<b>Air System</b>				
Combustion Air Flow: m <sup>3</sup> /min (cfm)	8.1 (286)	11.5 (405)	7.6 (270)	11.0 (387)
Air Filter Type	Paper Element			
Max. Combustion Air intake restriction: kPa (in H <sub>2</sub> O)	5.0 (20.1)		5.0 (20.1)	
Radiator Cooling Air flow: m <sup>3</sup> /min (cfm)	228.6 (8073)		234.0 (8264)	
External Restriction to Cooling Air Flow: Pa (in H <sub>2</sub> O)	125 (0.5)		125 (0.5)	
<b>Cooling System<sup>2</sup></b>				
Heat Rejected to Water & Lube Oil: kW (Btu/min)	82.0 (4663)	74.9 (4259)	92.0 (5232)	84.2 (4788)
Heat Radiated from Engine & Alternator: kW (Btu/min)	25.9 (1473)	21.6 (1228)	27.0 (1535)	24.1 (1371)
Cooling System Capacity: l (US gal)	21.0 (5.5)		21.0 (5.5)	
Radiator Fan Load: kW (hp)	5.0 (6.7)		7.0 (9.4)	
Water Pump Type	Centrifugal			

Exhaust System		50 Hz				60 Hz			
		Standby		Prime		Standby		Prime	
Exhaust Gas Flow: m <sup>3</sup> /min (cfm)		22.7 (800)		20.8 (733)		29.1 (1026)		27.2 (959)	
Exhaust Gas Temperature: °C (°F)		576 (1069)		576 (1069)		526 (979)		526 (979)	
Silencer Type		Industrial							
Silencer Model & Quantity		EXSY1 (1)							
Pressure Drop Across Silencer System: kPa (in Hg)		0.45 (0.133)				0.72 (0.213)			
Silencer Noise Reduction Level: dB		10				10			
Max. Allowable Back Pressure: kPa (in. Hg)		6.0 (1.8)				6.0 (1.8)			
Generator Performance Data <sup>3</sup>		50 Hz				60 Hz			
Voltage		415/240V	400/230V 230/115V 200/115V	380/220V 220/110V	220/127V	480/277V 240/139V	380/220V 220/110V	240/120V 208/120V	440/254V 220/127V
Motor Starting Capability* kVA		281	260	233	307	306	195	231	262
Short Circuit Capacity** %		300	300	300	300	300	300	300	300
Reactances: Per Unit									
Xd		2.508	2.700	2.881	2.231	2.750	2.683	3.328	3.273
X'd		0.183	0.197	0.210	0.163	0.201	0.272	0.243	0.239
X''d		0.090	0.097	0.103	0.080	0.099	0.134	0.120	0.118
Generator Technical Data									
Physical Data					Operating Data				
Frame Model		R2273L4			Overspeed: RPM		2250		
No. of Bearings		1			Voltage Regulation: (steady state)		+/- 0.5%		
Wires		12			Wave Form NEMA = TIF:		50		
IP Rating & Insulation Class		IP23 & H			Wave Form IEC = THF:		2.0%		
Winding Pitch-Code		2/3 - M0			Total Harmonic Content LL/LN:		2.0%		
Excitation		SHUNT			Radio Interference:		Suppression is in line with European Standard EN61000-6		
AVR Model		Mark V			Radiant Heat: kW (Btu/min)		50 Hz: 10.6 (603) 60 Hz: 12.1 (688)		
Capacities									
50 Hz					60 Hz				
Voltage	Prime		Standby		Voltage	Prime		Standby	
	kVA	kW	kVA	kW		kVA	kW	kVA	kW
415/240V	135.0	108.0	150.0	120.0	480/277V	150.0	120.0	165.0	132.0
400/230V	135.0	108.0	150.0	120.0	220/127V	150.0	120.0	165.0	132.0
380/220V	130.0	104.0	142.0	113.6	380/220V	140.0	112.0	153.0	122.4
230/115V	135.0	108.0	150.0	120.0	240/120V	150.0	120.0	165.0	132.0
220/127V	135.0	108.0	148.0	118.4	220/110V	140.0	112.0	153.0	122.4
220/110V	130.0	104.0	142.0	113.6	208/120V	150.0	120.0	165.0	132.0
200/115V	135.0	108.0	150.0	120.0	240/139V	150.0	120.0	165.0	132.0

Weight: kg (lb)			Dimensions: mm (in)		
Net (+ lube oil)	Wet (+ lube oil & coolant)	Fuel, lube oil & coolant	Length, A	Width, B	Height, C
1569 (3459)	1590 (3505)	1886 (4157)	2500 (98.4)	1120 (44.1)	1430 (56.3)



### Notes:

<sup>1</sup> Based on diesel fuel with a specific gravity of 0.85 and conforming to BS2869, Class A2.

<sup>2</sup> Cooling system designed to operate in ambient conditions up to 50°C (122°F). Contact your local Cat dealer for power ratings at specific site conditions.

<sup>3</sup> Reactances shown are applicable to prime ratings. \*Based on 30% voltage dip at 0 power factor and shunt excitation system. \*\*With optional Auxiliary winding.

### DEFINITIONS:

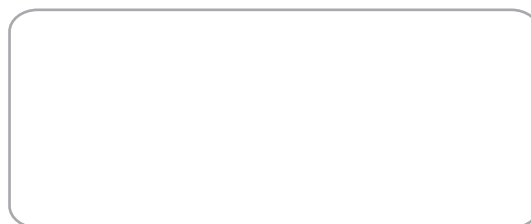
**STANDBY:** Output available with varying load for the duration of the interruption of the normal source power. Average power output is 70% of the standby power rating. Typical operation is 200 hours per year, with maximum expected usage of 500 hours per year.

**PRIME:** Output available with varying load for an unlimited time. Average power output is 70% of the prime power rating. Typical peak demand is 100% of prime rated kW with 10% overload capability for emergency use for a maximum of 1 hour in 12. Overload operation cannot exceed 25 hours per year

**Standard Reference Conditions:** Note: Standard reference conditions 25°C (77°F) air inlet temp, 100m (328ft) A.S.L. 30% relative humidity. Fuel consumption data at full load with diesel fuel with specific gravity of 0.85 and conforming to BS2869: 1998, Class A2.

**Quality Standards:** The equipment meets the following standards: IEC60034-1, IEC60034-22, ISO3046, ISO8528, NEMA MG 1-32, NEMA MG 1-33, 2004/108/EC, 2006/42/EC, 2006/95/EC.

LEHE1148-01 (04/18)



## BUILT FOR IT.™



Image shown may not reflect actual configuration

## Sound Attenuated Level 2 Enclosures

24 – 220 kVA Range

The sound attenuated Level 2, factory installed enclosures incorporate internally mounted critical level silencers. They are the premium enclosure offering for this range, designed for safety and aesthetic value on an integral fuel tank base. Extremely durable and weather resistant, these enclosures are designed to resist corrosion and handling damage.

The enclosures are the result of continuing research and development by our specialist acoustic engineers.

These enclosures reduce sound levels to comply with the Stage 2 levels of the European Community Directive 2000/14/EC which became effective January 3, 2006.

## Features

### Durable and Robust Construction

- Manufactured from galvanized steel
- Advanced powder-coated paint finish
- Single-piece main roof
- Base frame extends beyond enclosure, protecting against handling damage
- Minimal external fixings exposed to environment
- Zinc-plated fasteners
- Corner posts and air handling units manufactured from high-grade engineering thermoplastic

### Security and Safety

- Secure, lockable doors prevent unauthorized access to control panel, fuel fill, and battery
- Emergency stop button mounted on exterior, convenient to control panel
- Cooling fan and battery charging alternator fully guarded

### Excellent Service and Maintenance Access

- Side-hinged doors on both sides of the enclosure incorporate lift-off hinges at 45°
- Radiator fill via removeable, flush-mounted rain cap fitted with compression seal
- Lube oil cooling water drains piped to baseframe side rail, on exterior
- Removable end panels allow access to radiator, exhaust outlet, and alternator rear
- Doors positioned for optimum access of frequently serviced items

### Transportability

- Optional tested and certified lifting arch
- Lifting and drag points on base frame facilitate handling from both sides

## Sound Pressure Levels (dBA)

Generator Set Model Three-phase		LWA	50 Hz						60 Hz					
			15 m (50 ft)		7 m (23 ft)		1 m (3.3 ft)		15 m (50 ft)		7 m (23 ft)		1 m (3.3 ft)	
			75% Load	100% Load	75% Load	100% Load	75% Load	100% Load	75% Load	100% Load	75% Load	100% Load	75% Load	100% Load
DE33E0	Prime	94	61	62	67	68	76	77	61	63	67	69	77	79
	Standby	94	61	62	67	68	76	77	61	64	67	70	78	80
DE33E3	Prime	94	59	61	65	67	75	77	–	–	–	–	–	–
	Standby	94	60	62	66	68	76	78	–	–	–	–	–	–
DE50E0	Prime	93	57	58	63	64	74	74	60	61	66	67	76	77
	Standby	93	57	58	63	64	74	75	60	62	66	68	77	78
DE50E2	Prime	93	56	56	62	62	74	75	–	–	–	–	–	–
	Standby	93	56	57	62	63	74	75	–	–	–	–	–	–
DE55E0	Prime	93	57	58	63	64	74	75	60	62	66	68	77	78
	Standby	93	57	59	63	65	74	76	61	62	67	68	77	79
DE55E2	Prime	93	56	57	62	63	74	74	–	–	–	–	–	–
	Standby	93	56	57	62	63	74	75	–	–	–	–	–	–
DE65E0	Prime	93	58	60	64	66	74	76	61	63	67	69	77	79
	Standby	93	58	61	64	67	75	77	62	64	68	70	78	80
DE65E3	Prime	93	58	59	64	65	75	76	–	–	–	–	–	–
	Standby	93	58	59	64	65	75	76	–	–	–	–	–	–
DE88E0	Prime	93	58	59	64	65	76	76	61	61	67	67	78	79
	Standby	93	58	60	64	66	76	77	61	62	67	68	79	79
DE88E3	Prime	97	61	61	67	67	79	79	–	–	–	–	–	–
	Standby	97	61	62	67	68	79	79	–	–	–	–	–	–
DE110E2	Prime	97	62	63	68	69	80	81	65	65	71	71	84	84
	Standby	97	63	64	69	70	80	81	65	66	71	72	84	84
DE110E3	Prime	97	61	62	67	68	79	79	–	–	–	–	–	–
	Standby	97	62	62	68	68	79	79	–	–	–	–	–	–
DE150E0	Prime	97	60	61	66	67	76	76	61	61	67	67	77	77
	Standby	97	60	61	66	67	76	77	61	61	67	67	77	78
DE165E0	Prime	97	59	59	65	65	74	74	61	62	67	68	77	77
	Standby	97	59	59	65	65	74	75	62	62	68	68	77	78

## Sound Pressure Levels (dBA)

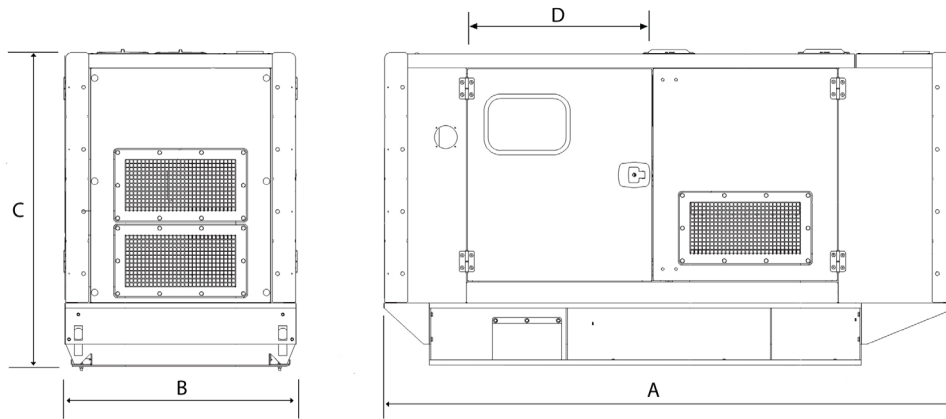
Generator Set Model Three-phase		LWA	50 Hz						60 Hz					
			15 m (50 ft)		7 m (23 ft)		1 m (3.3 ft)		15 m (50 ft)		7 m (23 ft)		1 m (3.3 ft)	
			75% Load	100% Load	75% Load	100% Load	75% Load	100% Load	75% Load	100% Load	75% Load	100% Load	75% Load	100% Load
DE165E3	Prime	–	58	59	64	65	73	74	–	–	–	–	–	–
	Standby	–	58	59	64	65	74	74	–	–	–	–	–	–
DE175E3	Prime	–	58	59	64	65	74	74	–	–	–	–	–	–
	Standby	–	58	59	64	65	74	75	–	–	–	–	–	–
DE200E0	Prime	97	62	62	68	68	78	78	65	65	71	71	81	81
	Standby	97	62	63	68	69	78	78	65	65	71	71	81	81
DE200E3	Prime	–	59	60	65	66	74	75	–	–	–	–	–	–
	Standby	–	59	60	65	66	74	75	–	–	–	–	–	–
DE220E0	Prime	97	62	64	68	70	78	79	–	–	–	–	–	–
	Standby	97	63	64	69	70	78	79	–	–	–	–	–	–

Levels in accordance with European Noise Directive (2000/14/EC).

## Sound Pressure Levels (dBA)

Generator Set Model Single-phase		LWA	50 Hz						60 Hz					
			15 m (50 ft)		7 m (23 ft)		1 m (3.3 ft)		15 m (50 ft)		7 m (23 ft)		1 m (3.3 ft)	
			75% Load	100% Load	75% Load	100% Load	75% Load	100% Load	75% Load	100% Load	75% Load	100% Load	75% Load	100% Load
DE26E0S	Prime	94	61	62	67	68	76	77	61	63	67	69	77	79
	Standby	94	61	62	67	68	76	77	61	64	67	70	78	80
DE26E3S	Prime	94	59	61	65	67	75	77	–	–	–	–	–	–
	Standby	94	60	62	66	68	76	77	–	–	–	–	–	–
DE40E0S	Prime	93	57	58	63	64	74	74	60	61	66	67	76	77
	Standby	93	57	58	63	64	74	75	60	62	66	68	77	78
DE40E2S	Prime	93	56	56	62	62	74	75	–	–	–	–	–	–
	Standby	93	56	57	62	63	74	75	–	–	–	–	–	–
DE50E0S	Prime	93	57	58	63	64	75	76	60	61	66	67	78	78
	Standby	93	57	58	63	64	75	76	60	61	66	67	78	78
DE55E3S	Prime	93	58	59	64	65	75	76	–	–	–	–	–	–
	Standby	93	58	59	64	65	75	76	–	–	–	–	–	–
DE90E2S	Prime	97	62	63	68	69	80	81	65	65	71	71	84	84
	Standby	97	63	64	69	70	80	81	65	66	71	72	84	84
DE90E3S	Prime	97	61	62	67	68	79	79	–	–	–	–	–	–
	Standby	97	62	62	68	68	79	79	–	–	–	–	–	–

Levels in accordance with European Noise Directive (2000/14/EC).

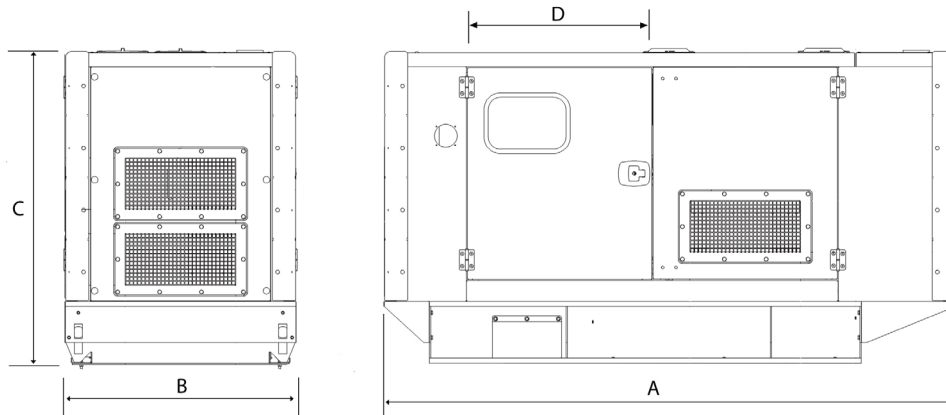


## Weights and Dimensions

Generator Set Model Three-phase	A: mm (in)	B: mm (in)	C: mm (in)	D*: mm (in)	Fuel Capacity: l (US gal)	Weight: kg (lb)
DE33E0	2120 (83.5)	980 (38.6)	1519 (59.8)	716 (28.2)	161 (43.0)	1002 (2209)
DE33E3	2120 (83.5)	980 (38.6)	1519 (59.8)	716 (28.2)	161 (43.0)	1002 (2209)
DE50E2	2300 (90.6)	1132 (44.6)	1519 (59.8)	761 (30.0)	219 (58.0)	1237 (2727)
DE50E0	2300 (90.6)	1132 (44.6)	1519 (59.8)	761 (30.0)	219 (58.0)	1237 (2727)
DE55E0	2300 (90.6)	1132 (44.6)	1519 (59.8)	761 (30.0)	219 (58.0)	1229 (2709)
DE55E2	2300 (90.6)	1130 (44.5)	1525 (60.0)	761 (30.0)	219 (58.0)	1277 (2815)
DE65E0	2300 (90.6)	1132 (44.6)	1519 (59.8)	761 (30.0)	219 (58.0)	1249 (2754)
DE65E3	2300 (90.6)	1130 (44.5)	1519 (59.8)	761 (30.0)	219 (58.0)	1319 (2908)
DE88E0	2300 (90.6)	1130 (44.5)	1519 (59.8)	761 (30.0)	219 (58.0)	1416 (3122)
DE88E3	2770 (109.1)	1130 (44.5)	1530 (60.2)	893 (35.2)	250 (66.0)	1554 (3426)
DE110E2	2770 (109.1)	1130 (44.5)	1530 (60.2)	893 (35.2)	250 (66.0)	1615 (3560)
DE110E3	2770 (109.1)	1130 (44.5)	1530 (60.2)	893 (35.2)	250 (66.0)	1744 (3845)
DE150E0	3520 (138.6)	1130 (44.5)	1809 (71.2)	1143 (45.0)	349 (92.2)	1918 (4228)
DE165E0	3520 (138.6)	1130 (44.5)	1809 (71.2)	1143 (45.0)	349 (92.2)	2016 (4445)
DE165E3	3520 (138.6)	1130 (44.5)	1809 (71.2)	1143 (45.0)	349 (92.2)	2158 (4758)
DE175E3	3520 (138.6)	1130 (44.5)	1809 (71.2)	1143 (45.0)	349 (92.2)	2158 (4758)
DE200E0	3520 (138.6)	1330 (52.4)	1809 (71.2)	1078 (42.4)	418 (110.0)	2198 (4836)
DE200E3	3520 (138.6)	1330 (52.4)	1809 (71.2)	1078 (42.4)	418 (110.0)	2248 (4956)
DE220E0	3520 (138.6)	1330 (52.4)	1809 (71.2)	1078 (42.4)	418 (110.0)	2238 (4934)

\*Clearance required on both sides of set.

Weight with lube oil and coolant, no fuel.



## Weights and Dimensions

Generator Set Model Single-phase	A: mm (in)	B: mm (in)	C: mm (in)	D*: mm (in)	Fuel Capacity: l (US gal)	Weight: kg (lb)
DE26E0S	2120 (83.5)	980 (38.58)	1519 (59.8)	716 (28.2)	161 (43.0)	991 (2185)
DE26E3S	2120 (83.5)	980 (38.58)	1519 (59.8)	716 (28.2)	161 (43.0)	991 (2185)
DE40E0S	2300 (90.6)	1132 (44.7)	1519 (59.8)	761 (30.0)	219 (58.0)	1247 (2749)
DE40E2S	2300 (90.6)	1132 (44.7)	1519 (59.8)	761 (30.0)	219 (58.0)	1199 (2643)
DE50E0S	2300 (90.6)	1132 (44.7)	1519 (59.8)	761 (30.0)	219 (58.0)	1315 (2899)
DE55E3S	2300 (90.6)	1130 (44.5)	1519 (59.8)	765 (30.1)	219 (58.0)	1355 (2987)
DE90E2S	2770 (109.1)	1130 (44.5)	1530 (60.2)	893 (35.2)	250 (66.0)	1613 (3556)
DE90E3S	2770 (109.1)	1130 (44.5)	1530 (60.2)	893 (35.2)	250 (66.0)	1653 (3644)

\*Clearance required on both sides of set.  
Weight with lube oil and coolant, no fuel.

[www.cat.com/electricpower](http://www.cat.com/electricpower)

©2017 Caterpillar

All rights reserved.

Materials and specifications are subject to change without notice.  
CAT, CATERPILLAR, their respective logos, "Caterpillar Yellow", the "Power Edge" trade dress as well as corporate and product identity used herein, are trademarks of Caterpillar and may not be used without permission.