



Adres:
Halil Beyli Osb. Mah. Ege Cad.
Bağyurdu Org San. Bölgesi No:4
Kemalpaşa - İZMİR / TURKEY

Telefon:
+90 530 418 31 98

Mail:
sales@aymasmakina.com



www.aymasmakina.com

IS Series

Inclined Shears

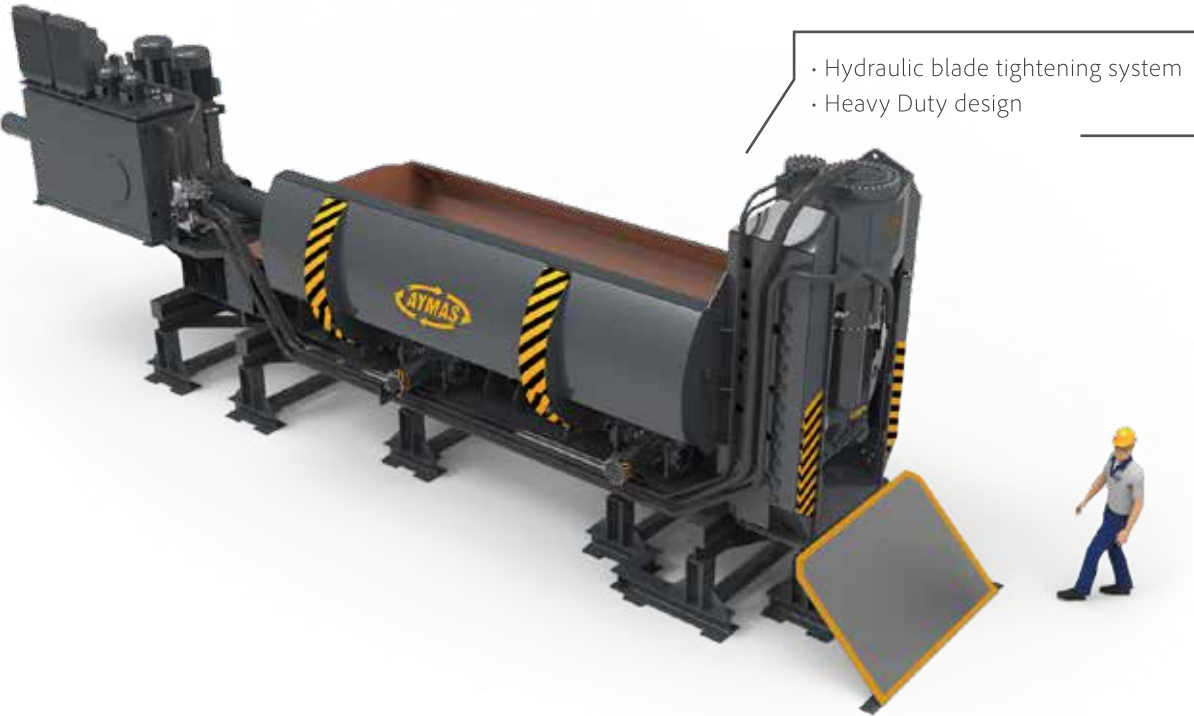


- Hydraulic blade tightening system
- Blade distance (gap) adjustment system
- Maintenance smart design
- Diesel option
- Mobile option

		IS 700	IS 900	IS 1100	IS 1350	IS 1600
Cutting Force	Ton	700	900	1100	1350	1600
Hold Down Force	Ton	100	160	160	250	300
Side Compression Force	Ton	2x85	2x120	2x120	2x200	2x250
Cutting Width	mm	800	1040	1040	1040	1200
Number of Cuts	cuts/min	2-3	2-3	2-3	2-3	2-3
Capacity <	Ton/hour	20	25	35	50	70
Weight	Ton	55	78	95	128	160
Electric Motor Power	Kw	160	2x110	2x132	3x132	3x160
Chamber Dimensions (W x L)	m	2.1x7	2.1x8	2.25x8.5	2.45x8.5	2.6x10
General Dimensions (W x H x L)	m	3.7x8	3.5x9	4.6x10	4.6x11	5.4x11

-Working pressure is 350 Bar. - Capacity depends on material.

SB Series
Shear Balers



		SB 700	SB 900	SB 1100	SB 1350
Cutting Force	Ton	700	900	1100	1350
Hold Down Force	Ton	120	170	210	280
Box Closing Force	Ton	240	240	340	450
Pusher Ram Force	Ton	120	120	150	150
Cutting Width	mm	800	800	1040	1040
Box Length	m	6	6	7	7
Box Width (Open)	m	2.45	2.45	2.7	2.85
Bale Dimensions	cm	80x60x...	80x60x...	100x60	100x700
Number of Cuts	cuts/min	3-5	3-5	3-5	3-5
Capacity <	Ton	20	25	30	35
Weight	Ton	70	110	150	200
Electric Motor Power	Kw	2x90	2x110	2x132	3x132
General Dimensions	m	2.6x4x15	2.6x4x15	3x4.2x17	3x4.6x18

-Working pressure is 300 Bar. - Capacity depends on material.

HP3-C Series

3 Compression High Speed, Continuous Feeding Scrap Balers



- Eco – Heavy Duty models
- Wave shaped wear plates
- Extra High density



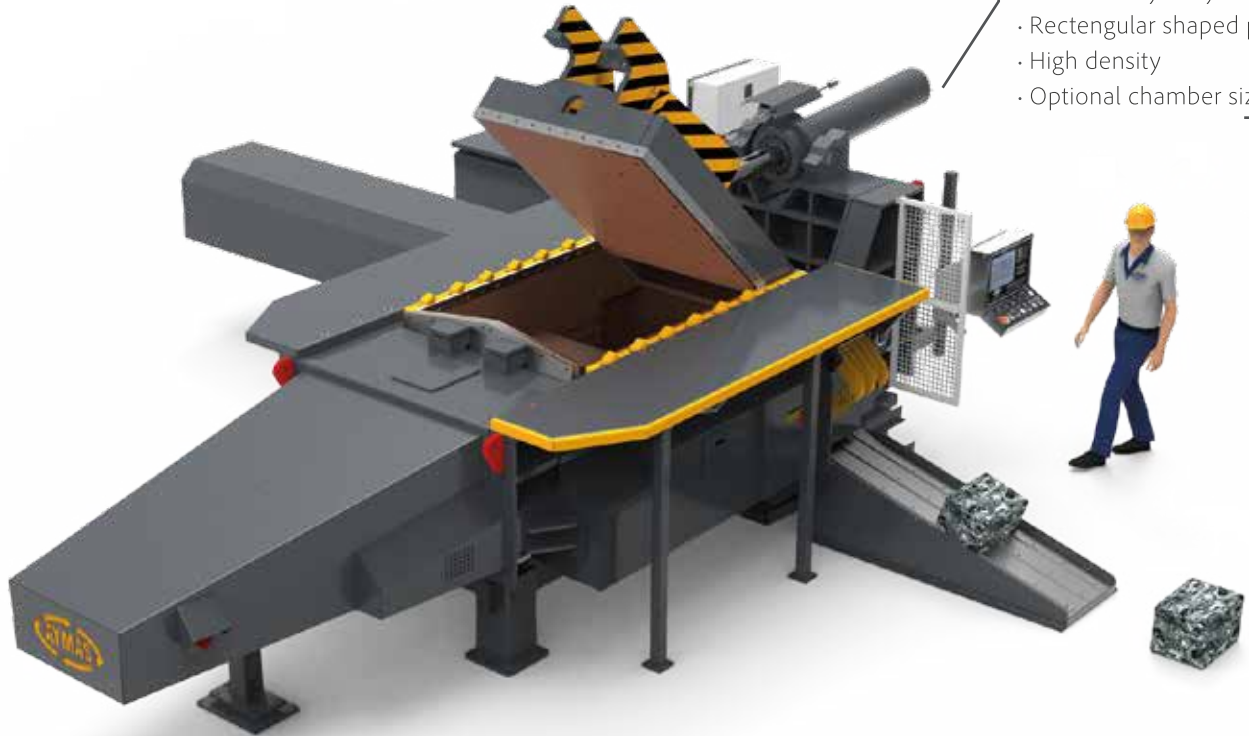
Bale Size - Model	mm	30x30-ECO	40x40-ECO	30x30	40x40	40x40-T25	50x50-T50	60x60-T50
Main Cylinder Power	Tons	210	210	210	210	210	300	400
Max Capacity (Steel) <	ton/h	7.5	9	14	16	20	25	30
Max Capacity (Copper) <	ton/h	11	13	16	20	24	30	35
Max Capacity (Al) <	ton/h	2.5	3	5	6	7.5	9	11
Cycle Time	s	45	45	30	30	30	60	60
Motor Power	Kw	75	75	150	150	225	225	270
Feeding Opening	mxm	1x1.6	1x1.6	1x1.6	1x1.6	1.25x1.8	1.5x2	1.5x2
Chamber Size	mxmxm	1x2.7x0.9	1x2.7x0.9	1x2.7x0.9	1x2.7x0.9	1.25x2.7x1	1.5x2.8x1.1	1.5x2.9x1.2
Machine Weight	Ton	30	32	58	58	65	85	110
Footprint	mxm	4.6x6.2	4.7x6.2	5.6x6.5	5.6x6.5	6.7x7	7x8	8.5x11

-Density : Steel <= 3 kg/dm³, Copper <= 3.5 kg/dm³, Aluminum <= 1.2 kg/dm³

-Working pressure is 300 Bar. - Capacity depends on material.

HP3 Series

3 Compression ,Heavy Duty Scrap Balers



- Eco - Heavy Duty models
- Rectengular shaped plates
- High density
- Optional chamber sizes

Model & Bale Size	mm	25x25	30x30	40x40	40x40	50x50-W	60x60-W	70x70-W
Main Cylinder Power	Tons	150	150	210	210	300	300	400
Max Capacity (Steel) <	ton/h	2.5	3	4	8	15	20	35
Max Capacity (Copper) <	ton/h	3	4	5	9	17	25	40
Max Capacity (Al) <	ton/h	1	1	2	3	5	5	15
Cycle Time	s	90	90	90	90	90	90	90
Motor Power	Kw	37	37	37	90	150	150	180
Chamber Size	mxm	0.8x1.8	0.8x2	1x2	1.5x2.5	2x2.5	2.1x3.1	2.5x3.5
Machine Weight	Ton	12	14	18	34	52	58	85
Footprint	mxm	3.2x5.5	3.4x7	3.8x7	5.9x10	7x10	7.5x11	10x12

- Density : Steel <= 3 kg/dm3, Copper <= 3.5 kg/dm3, Aluminum <= 1.2 kg/dm3

-Working pressure is 300 Bar. - Capacity depends on material.

HP2 Series

2 Compression Scrap Balers



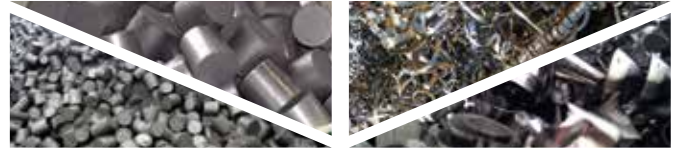
- Smart Compact design
- Manuel and automatic options



Bale Size - Model	mm	50x30	60x30	60x40	80x40	80x60	100x50	100x60
Main Cylinder Power	Tons	70	70	110	140	210	210	210
Max Capacity (Steel) <	ton/h	1	2	2.5	3.5	4	5	5.5
Max Capacity (Copper) <	ton/h	1.2	2.5	3	3	4.5	6	6.5
Max Capacity (Al) <	ton/h	0.5	0.7	0.8	1	1.2	1.6	2
Cycle Time	s	75	75	90	90	90	110	110
Motor Power	Kw	11	15	22	22	37	37	37
Chamber Size	mxm	0.5x1.2	0.6x1.2	0.6x1.2	0.8x1.6	0.8x2	1x2.2	1x2.5
Max. Working Pressure	Bar	225	225	225	225	300	300	300
Machine Weight	Ton	4.5	5.5	6.5	10	17	22	23
Footprint	mxm	1.2x4.1	1.3x4.5	1.3x5	1.7x5.5	1.7x6	2.1x7	2.1x7.2

- Capacity depends on material.

BP Series
Briquetting Press



- Maintenance smart design
- Available for steel, aluminum, copper, zinc, lead etc.
- Centrifuging and shredding solutions for chips
- Optional briquette length adjustment system



		BP 60	BP 80-ECO	BP 80	BP 100	BP 120	BP 160	BP 200
Briquette Diameter	mm	60	80	80	100	120	160	200
Main Cylinder Power	ton	100	150	220	315	400	600	850
Capacity (Steel, Cast) <	ton/h	0.15	0.4	0.8	1.3	2.6	6	12
Capacity (Copper) <	ton/h	0.20	0.6	1	1.5	2.7	7	13.5
Capacity (Aluminum) <	ton/h	0.05	0.09	0.3	0.5	0.8	2.3	4
Cycle Time	s	12	12	12	12	12	12	12
Motor Power	kw	22	30	30	55	75	150	180
Machine Weight	ton	3.5	4	6	12	13	28	60
Footprint	m	1.7x2	2x2.2	2x2.7	2.4x3.5	2.4x4	3x6.5	11x10

- Density : Steel-Cast <= 5.5 kg/dm³, Copper <= 7.0 kg/dm³, Aluminum <= 2.4 kg/dm³
 - Working pressure is 300 Bar . BP 60 working pressure is 220 bar max.

- Capacity depends on material.

SH Series

Double Shaft Shredders



- Eco - Heavy Duty models
- Different blade shapes for different purposes



		SH60	SH90	SH180	SH360	SH440
Motor Power	kw	2x30	2x45	2x90	4x90	4x110
Feeding Opening	mxm	0.7x1	0.9x1.2	1x1.6	1.5x2	1.9x2.5
Capacity (Steel) <	ton/h	1.5	3	10	20	30
Al.<		0.5	2	4	6	8
Blade Width	cm	5	6	10	15	20
Machine Width	ton	6	12	18	44	52
Footprint	mxm	1.9x4.3	2x3.8	1.8x4.6	4.4x6	5x6.6

- Capacity depends on material.

TSG Series
Single Shaft Shredders



- Maintenance smart design
- Screen and separation solutions



		TSG110	TSG180	TSG320	TSG440	TSG640
Motor Power	kw	110	180	320	440	640
Feeding Opening	mxm	0.9x1.4	1.1x2	1.1x3	1.2x3	1.2x3
Capacity (Copper) <	ton/h	4	6	13	16	18
Al.<		1	2	4	5	6
Machine Weight	ton	18	20	40	46	51
Footprint	mxm	1.9x4.3	3x6	4.5x7.1	4.5x7.1	4.5x7.1

- Capacity depends on material. Capacity values based on 80 mm x 80 mm screen mash.

Working pressure is 300 Bar.

HM Series

Alligator Shears



CS Series

Cable Strippers

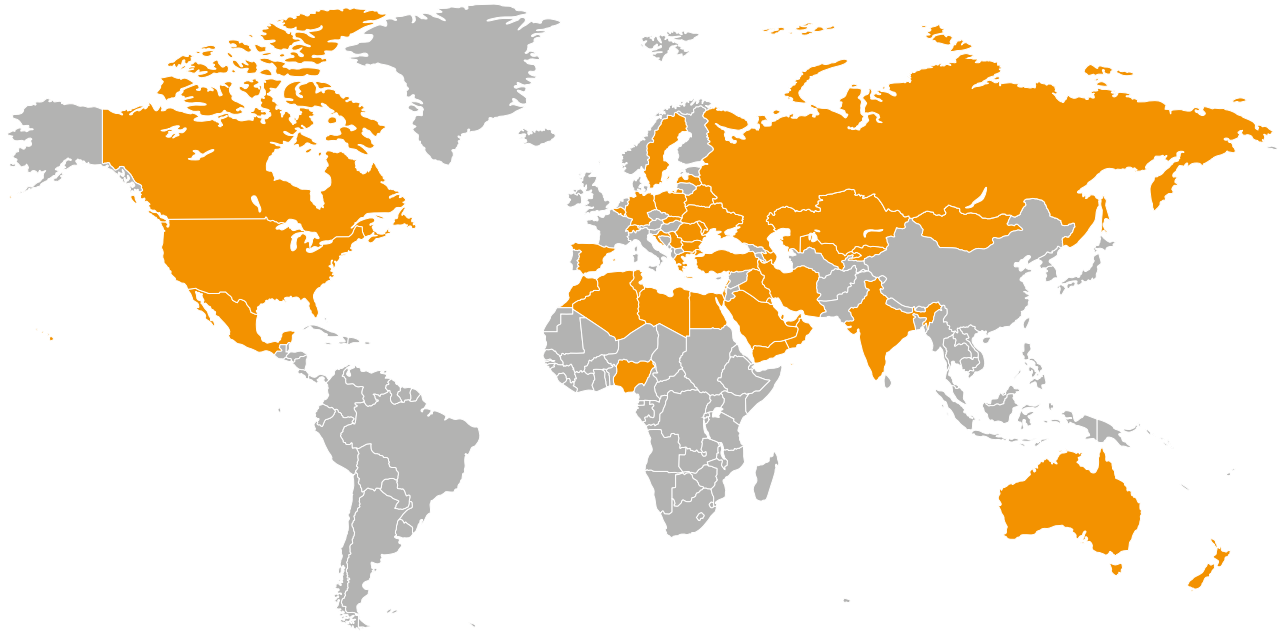
- No shaft adjustment needed
- For cables with diameter between Ø5mm-Ø90 mm



		HM32	HM42	HM52	HM62	HM72
Motor Power	kw	7.5	11	11	11	22
Blade Length	mm	320	420	520	620	720
Cut per minute	Qty	15	15	20	15	10
Cutting Force	ton	55	60	70	70	100
Max.Working Pressure	bar	160	160	220	220	220
Max.Shearing Capacities						
Rectangular	mm	#40	#40	#45	#50	#60
Plate	mm	100x10	100x10	200x10	200x15	200x25
NPU	mm	80	80	120	160	200
Machine Weight	ton	0.7	0.8	1.6	2.5	6
Footprint	mxm	0.9x1.2	0.9x1.8	0.9x2.4	1.2x2.5	1.4x3.1

- Capacity obtained on steel strength 360 N / mm²

Aymas Partners



WHY US?

Because we can solve your problem just in time!

After the years of experiences in scrap processing technology the evolution of new designs came up under the name of; "AYMAS"

Beneath this experience and quality, Aymas is one step ahead with the technical support after sales and prompt interfere on problems of the customer.



