

TORNOS

Swiss DT 26 S
Swiss DT 13 e

Machine options

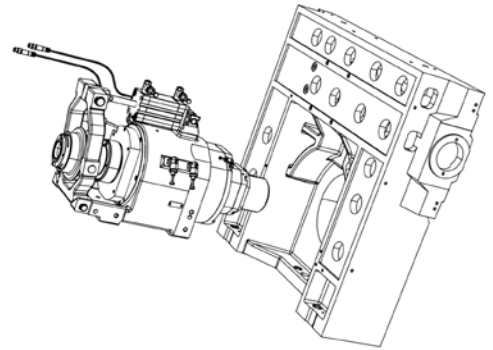
Machine options

Description

Guide bush less kit

Swiss DT 26 S	Swiss DT 13 e
496-0210	

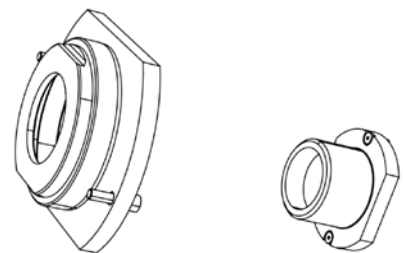
2052223



Guide bush less kit

Swiss DT 26 S	Swiss DT 13 e
	498-0210

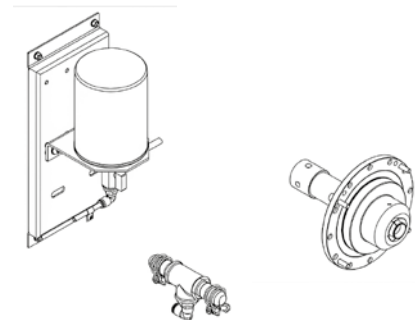
2052350



Fixed Guide bush unit (incl. lubrication unit)

Swiss DT 26 S	Swiss DT 13 e
	498-0215

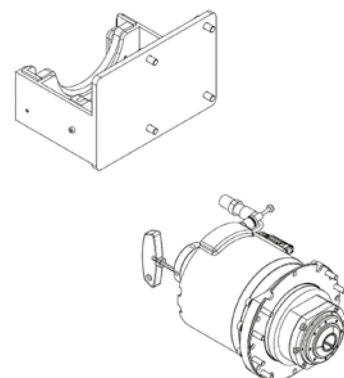
2020332



Motor Guide bush unit including tools and support

Swiss DT 26 S	Swiss DT 13 e
496-0220	

2052140

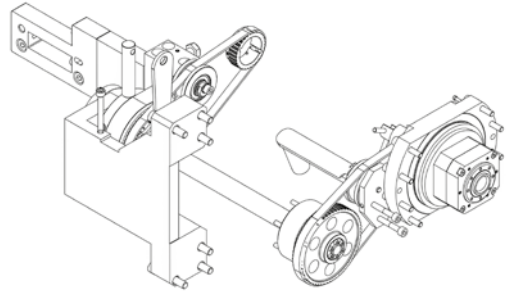


Description

Belt driven guide bush

Swiss DT 26 S	Swiss DT 13 e
	498-0220

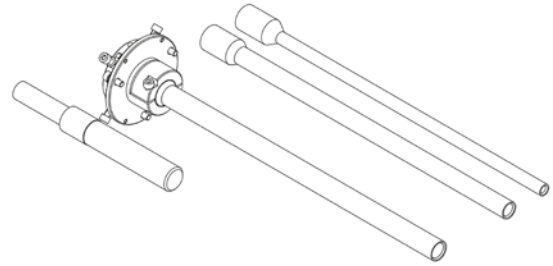
2052190+2052198



Reduction tubes Ø8_Ø14_Ø17

Swiss DT 26 S	Swiss DT 13 e
496-0960	

386490



Reduction tubes Ø6_Ø8

Swiss DT 26 S	Swiss DT 13 e
	498-0960

2052339

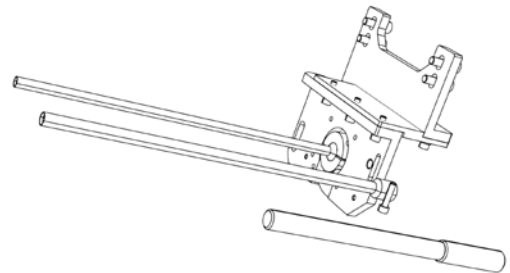
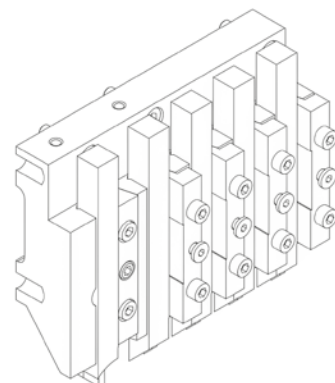


Plate for 5 turning tools for tool section 12x12 mm

Swiss DT 26 S	Swiss DT 13 e
496-1001	498-1001

2052096



Machine options

Description

Plate for 6 turning tools for tool section 12x12 mm

Swiss DT 26 S	Swiss DT 13 e
496-1005	498-1005

2052104

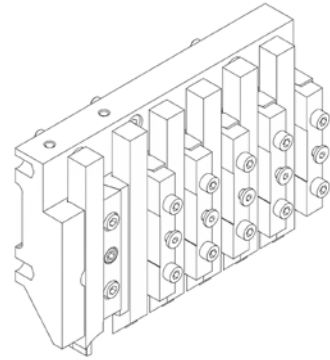


Plate for 3 turning tools for tool section 12x12 mm

Swiss DT 26 S	Swiss DT 13 e
496-1006	498-1006

390224

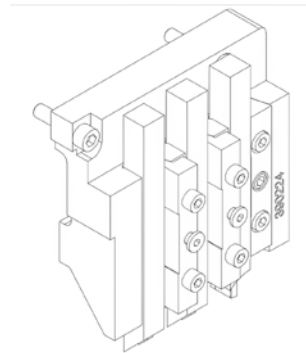
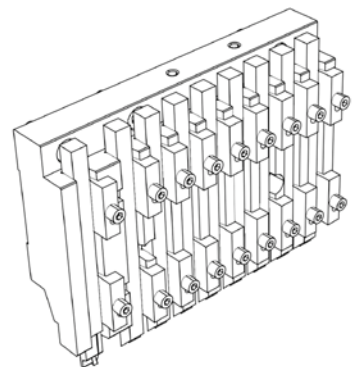


Plate for 9 turning tools for tool section 8x8 mm

Swiss DT 26 S	Swiss DT 13 e
	498-1010

2052355



Description

Plate for 5 turning tools for tool section 16x16 mm

Swiss DT 26 S	Swiss DT 13 e
496-1010	498-1012

2052113

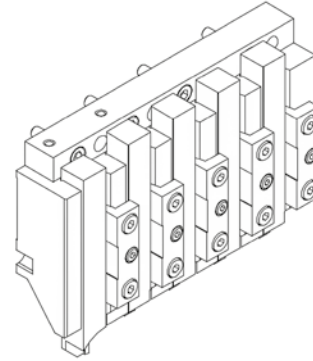


Plate for 1 turning tools for tool section 16x16 mm

Swiss DT 26 S	Swiss DT 13 e
496-1015	498-1015

2052109

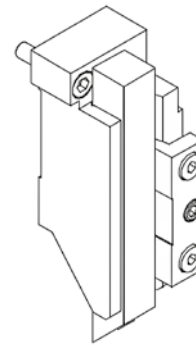
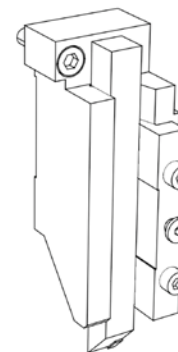


Plate for 1 turning tools for tool section 12x12 mm

Swiss DT 26 S	Swiss DT 13 e
496-1007	On request

396198



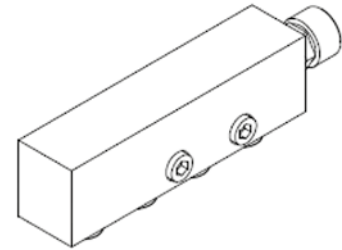
Machine options

Description

Rack for 4HP outputs on the plate for turning tools

Swiss DT 26 S	Swiss DT 13 e
496-1100	498-1100

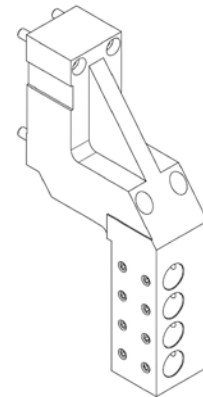
2052147



Front tool block with 4 bores Ø 22 mm

Swiss DT 26 S	Swiss DT 13 e
496-1210	498-1210

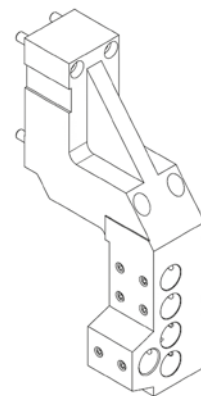
2052098



Front tool block with 5 bores Ø 22 mm

Swiss DT 26 S	Swiss DT 13 e
496-1215	498-1215

2052099

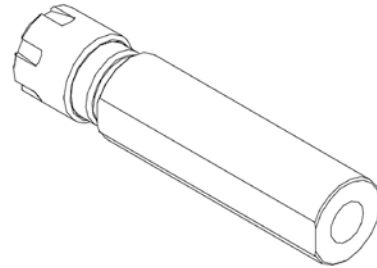


Description

Collet holder extension, \varnothing 22 mm shank and 70 mm long for ER 16 collet, used in the main and / or counter operation (supplied without collet)

Swiss DT 26 S	Swiss DT 13 e
496-1230	498-1230

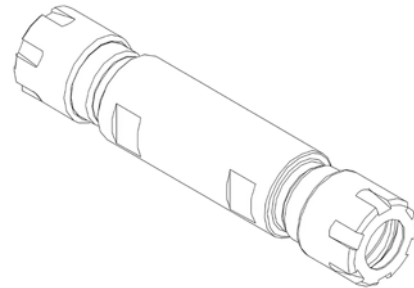
246796



Double collet holder extension, \varnothing 22 mm shank and 110 mm long for ER 16 collet, used in the main and / or counter operation (supplied without collet)

Swiss DT 26 S	Swiss DT 13 e
496-1235	498-1235

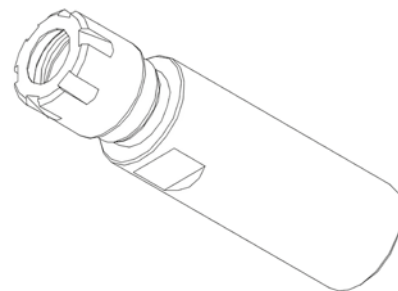
247231



Collet holder extension, \varnothing 25 mm shank and 65 mm long for ER 16 collet (supplied without collet)

Swiss DT 26 S	Swiss DT 13 e
496-4240	498-4240

246797



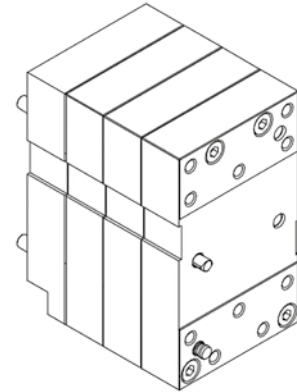
Machine options

Description

Set of spacers width 30 mm x4 for deep hole drilling,
Drilling length maximal 160 mm

Swiss DT 26 S	Swiss DT 13 e
496-1236	498-1236

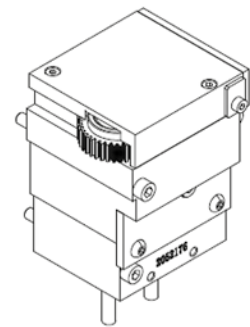
2052126



Rotating drilling/milling attachment with 2 cross drilling
spindles for ER11 collets, Rotation speed 8'000 rpm
(supplied without collet)

Swiss DT 26 S	Swiss DT 13 e
	498-1605

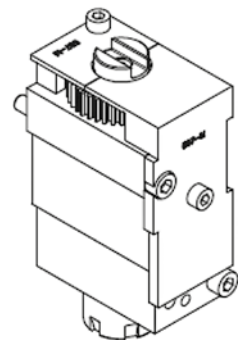
2052176



Rotating drilling/milling attachment with a spindle for
ESX20 collet. **Low type** (supplied without collet)

Swiss DT 26 S	Swiss DT 13 e
496-1620	498-1620
496-4600	498-4600

398563

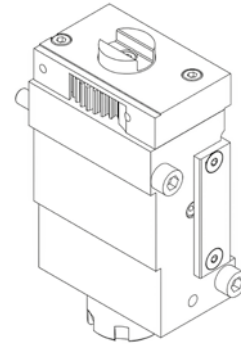


Description

Rotating drilling/milling attachment with a spindle for ESX20 collet. **Low type** (supplied without collet)
(Compatible with emulsion)

Swiss DT 26 S	Swiss DT 13 e
496-1622	498-1622

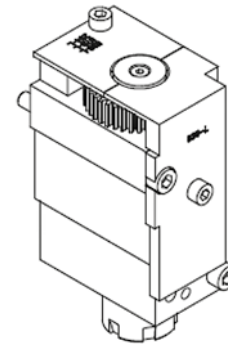
386296



Rotating drilling/milling attachment with a spindle for ESX20 collet. **High type** (supplied without collet)

Swiss DT 26 S	Swiss DT 13 e
496-1630	498-1630

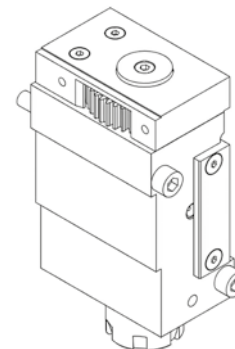
398564



Rotating drilling/milling attachment with a spindle for ESX20 collet. **High type** (supplied without collet)
(Compatible with emulsion)

Swiss DT 26 S	Swiss DT 13 e
496-1632	498-1632

386297



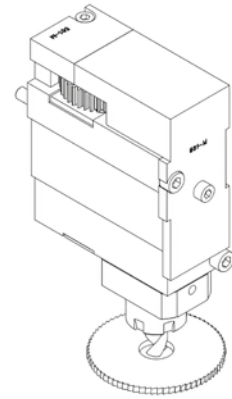
Machine options

Description

Rotating milling/slotting attachment with a spindle for ESX20 collet. Max saw diameter: 63 mm (supplied without collet)

Swiss DT 26 S	Swiss DT 13 e
496-1640	498-1640

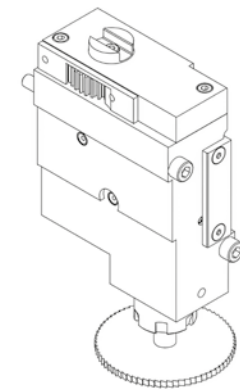
398561



Rotating milling/slotting attachment with a spindle for ESX20 collet. Max saw diameter: 63 mm (supplied without collet)
(Compatible with emulsion)

Swiss DT 26 S	Swiss DT 13 e
496-1642	498-1642

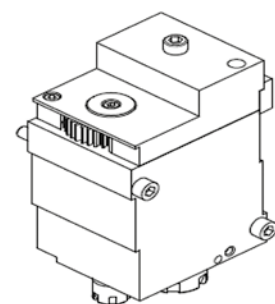
390237



Rotating drilling/milling attachment with 2 spindles.
One spindle ER 11, max 6000 rpm,
One spindle ER 20, high torque max 3300 rpm
(supplied without collet)

Swiss DT 26 S	Swiss DT 13 e
496-1644	498-1644

2052137

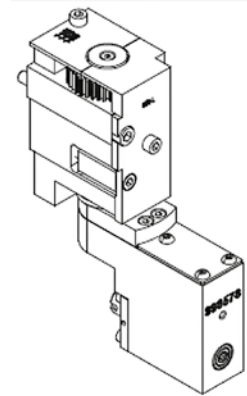


Description

Rotating drilling/milling attachment with a right angle head that can be positioned from 0 to 90° in **main-operation**, spindle with a collet for ER11 (supplied without collet)

Swiss DT 26 S	Swiss DT 13 e
496-1650	498-1650

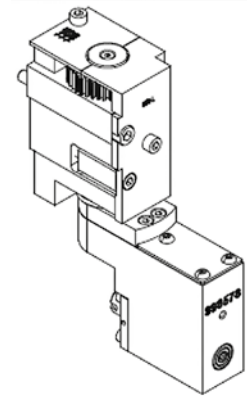
398578



Rotating milling/slotting spindle to work in **counter-operation** with a spindle for ER11 collet (Used at 0° only) (supplied without collet)

Swiss DT 26 S	Swiss DT 13 e
496-4650	498-4650

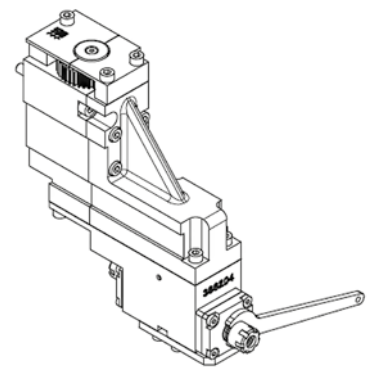
398578



Double axial drilling attachment with spindle for ER 11 on the main operation (supplied without collet)

Swiss DT 26 S	Swiss DT 13 e
496-1660	498-1660

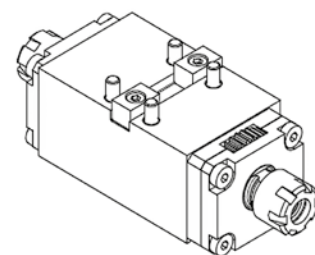
386204



Additional double axial drilling on the main operation (max. 1) with spindle for ER 11 (requires option 1660) (supplied without collet)

Swiss DT 26 S	Swiss DT 13 e
496-1665	498-1665

386222



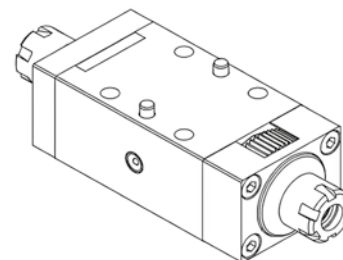
Machine options

Description

Double axial drilling/milling on the main operation (max. 3) with spindle for ER11, type GEPY (requires option 1672 or 1680) (supplied without collet) **(Compatible with emulsion)**

Swiss DT 26 S	Swiss DT 13 e
496-1667	498-1667

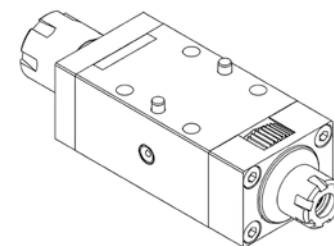
388738



Double axial drilling/milling on the main operation (max. 3) with spindle for ER16/ER11, type GEPY (requires option 1672 or 1680) (supplied without collet) **(Compatible with emulsion)**

Swiss DT 26 S	Swiss DT 13 e
496-1677	498-1677

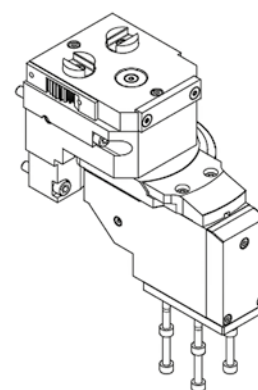
390242



Base for an adjustable 0 to 90 degrees. Triple drilling / milling attachment for double spindles, type GEPY (requires option max 3x1667 or 3x1677 or 1x1685) (supplied without collet)

Swiss DT 26 S	Swiss DT 13 e
496-1672	498-1672

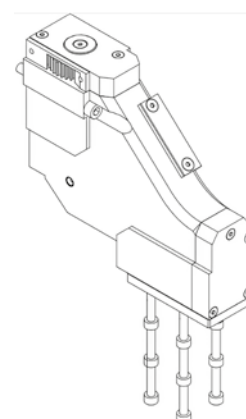
390241



Support axial milling/drilling, spindles attachments for OP and COP, type GEPY (requires option max 3x1667 or 3x1677 or 1x1685) (supplied without collet) **(Compatible with emulsion)**

Swiss DT 26 S	Swiss DT 13 e
496-1680	498-1680

392621

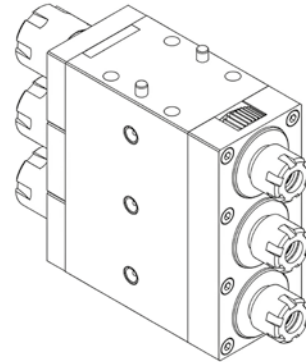


Description

3 live spindles attachment for axial drilling/milling, type GEPY.
Collets ER 16x3 in main operations
Collets ER 11x3 in counter operations
(requires option 1672 or 1680) (supplied without collet)
(Compatible with emulsion)

Swiss DT 26 S	Swiss DT 13 e
496-1685	498-1685

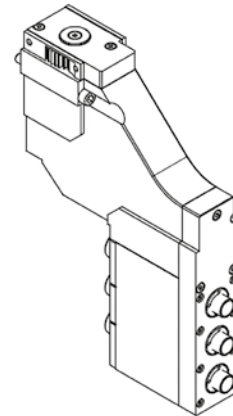
2023044



Triple angular milling/drilling attachment
Collets ER 16 x3 in main operations
Collets ER 11 x3 in counter operations
(supplied without collet)

Swiss DT 26 S	Swiss DT 13 e
496-1690	498-1690

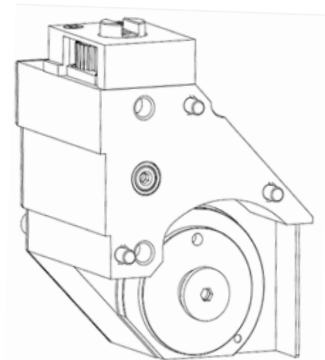
2052224



Polygon attachment, radial type
Max RPM: 5,000, Takes up 3 positions and mounts on the main operation (oil mist extractor 5439 is recommended)

Swiss DT 26 S	Swiss DT 13 e
496-1700	498-1700

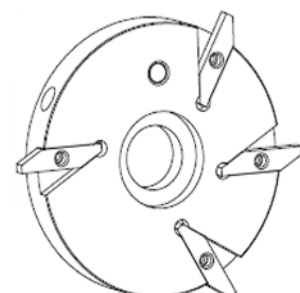
388720



Insert type polygon cutter, OD: 80 mm, Bore \varnothing : 16 mm
(inserts are not included) (requires option 1700)

Swiss DT 26 S	Swiss DT 13 e
496-1710	498-1710

595973



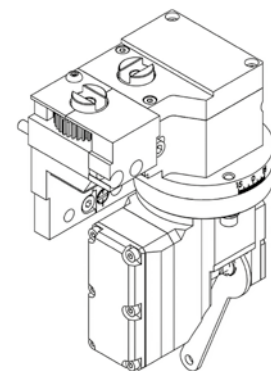
Machine options

Description

Gear hobbing attachment for straight teeth profile.
 Takes up 3 positions and mounts on the main operation
 Angular adjustment +/- 15 degrees
 Max. rotation speed 5000 RPM
 Max. diameter of milling cutter 32 mm, width 30 mm
 Maximum module 1
 Quality level max.: ISO 8

Swiss DT 26 S	Swiss DT 13 e
496-1750	498-1750

2052115

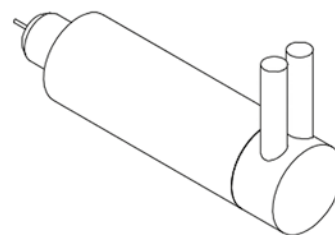


High frequency spindle \varnothing 22 mm, 60,000 RPM with a 9 poles plug for light axial work in MOP. Supplied with the following accessories:

- 1 ER 8-UP collet, max. capacity \varnothing 3 mm
- 1 tightening nut ER 8-MS
- 1 wrench E 8-MS
- 1 wrench SW 9
- (requires 1815 and/or 1825, 1830, 1835)

Swiss DT 26 S	Swiss DT 13 e
496-1800	498-1800

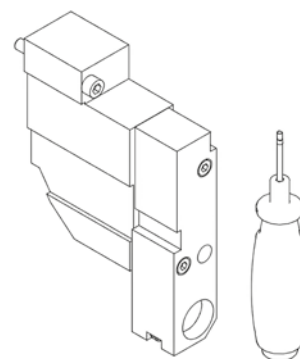
246319



HF support, bore \varnothing 22 mm for 1 position for axial mounting in OP (used with 1800 option)

Swiss DT 26 S	Swiss DT 13 e
496-1815	498-1815

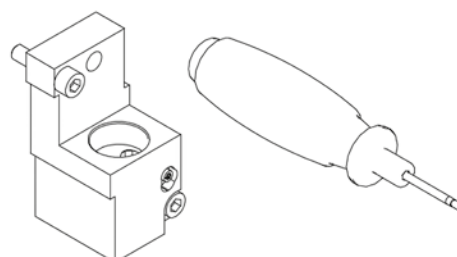
2052121



HF support, bore \varnothing 22 mm for 1 position for radial mounting in MOP axial mounting in COP (used with 1800 option)

Swiss DT 26 S	Swiss DT 13 e
496-1825	498-1825

2052122

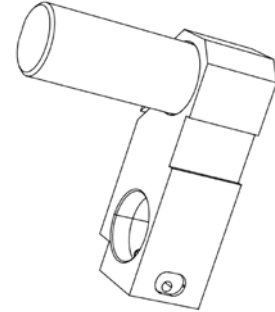


Description

HP support, bore \varnothing 22 mm for 1 position for axial mounting in MOP (used with 1800 option)

Swiss DT 26 S	Swiss DT 13 e
On request	On request

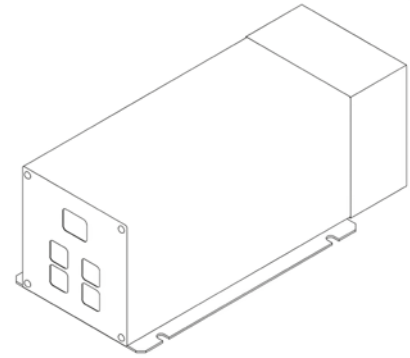
1023038



Frequency converter for \varnothing 22 mm, HF spindle with 9 poles plug (used to drive option 1800) (max. 2 converters)

Swiss DT 26 S	Swiss DT 13 e
496-1830	498-1830

2020345



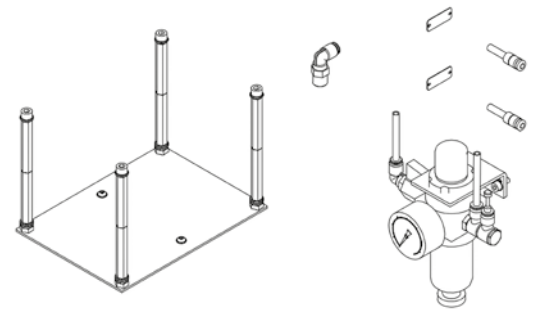
Machine options

Description

HF spindle adaptation $\varnothing 22$, Including:
 Air conditioning unit with support, pneumatic connections and
 electrical connecting wiring (used with option 1800)
 (max. 1 per machine)

Swiss DT 26 S	Swiss DT 13 e
496-1835	498-1835

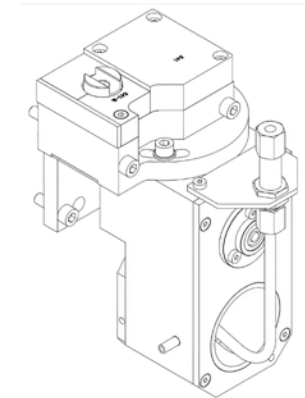
2052124



External thread whirling attachment, Max angle positioning:
 $\pm 15^\circ$, Takes up 3 positions and mounts on the main operation
 (requires option 1910 and 1920)
 (requires oil mist extractor)

Swiss DT 26 S	Swiss DT 13 e
496-1900	498-1900

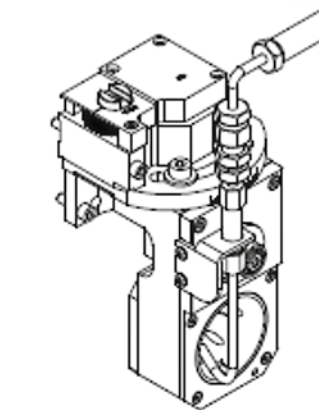
398541



External thread whirling attachment, Max angle positioning:
 $\pm 20^\circ$, Takes up 3 positions and mounts on the main operation
 (requires oil mist extractor)

Swiss DT 26 S	Swiss DT 13 e
On request	

2052279

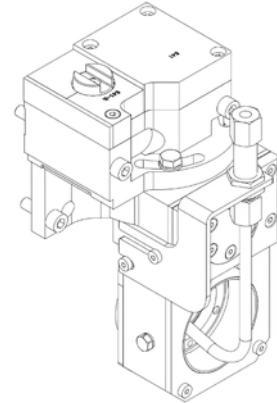


Description

External thread whirling attachment, Max angle positioning: $\pm 25^\circ$, Takes up 3 positions and mounts on the main operation (requires oil mist extractor)

Swiss DT 26 S	Swiss DT 13 e
On request	

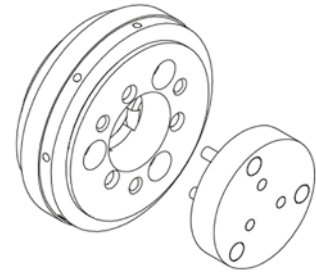
386251



Thread whirling head for constant profile cutters. Includes setting gage. for bar up to $\varnothing 10$ mm (cutters not included) (used only with option 1900)

Swiss DT 26 S	Swiss DT 13 e
496-1910	498-1910

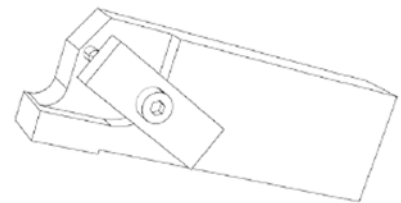
472088



Sharpening device for thread whirling cutters (used with 1900 and 1910)

Swiss DT 26 S	Swiss DT 13 e
496-1920	498-1920

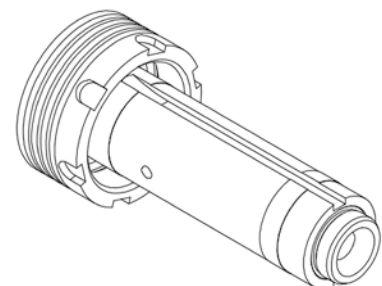
570504



Adaptation for a F10 (76-86) collet max $\varnothing 8$ mm

Swiss DT 26 S	Swiss DT 13 e
	On request

2020318



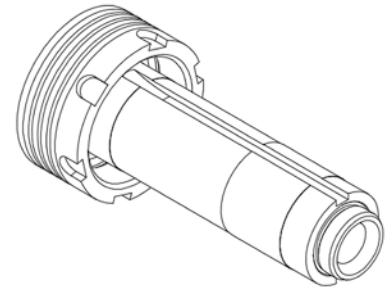
Machine options

Description

Adaptation for a F13 (76-357) collet max \varnothing 10 mm

Swiss DT 26 S	Swiss DT 13 e
	On request

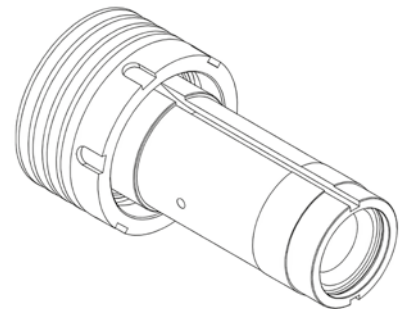
390235



Adaptation for a F25 (76-64) collet max 20 mm dia.

Swiss DT 26 S	Swiss DT 13 e
496-4042	

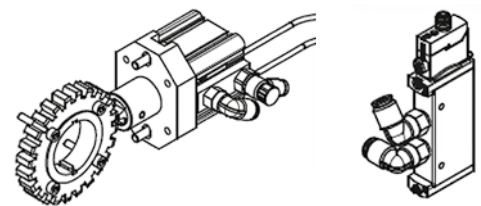
2020601



Counter spindle breaking device, Indexing with pneumatic piston, Indexing increment 15 degrees (requires option 5600)

Swiss DT 26 S	Swiss DT 13 e
496-4050	

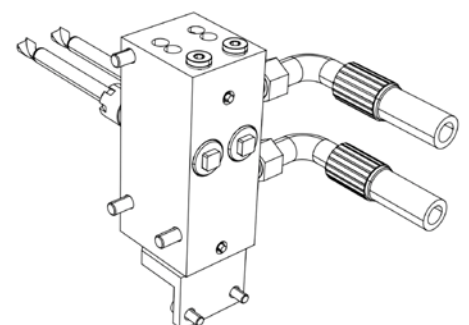
2052035



Block with 2 bores for deep drilling front operations (bore 22 mm) Including 2 collet holders ER 16. Adaptation besides sub spindle.

Swiss DT 26 S	Swiss DT 13 e
496-4060	

2052034

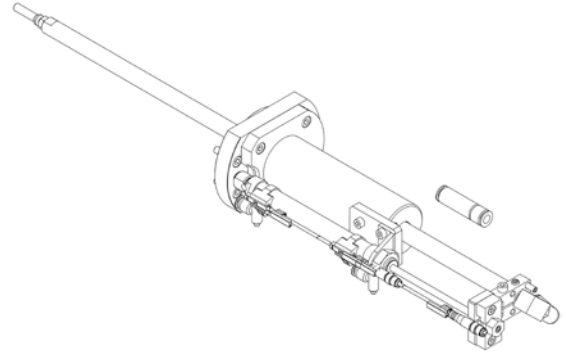


Description

Adjustable pneumatic part ejector including collet cleaning with air extraction of part maximal length 110 mm, Including 1 spare tip for ejector

Swiss DT 26 S	Swiss DT 13 e
496-4110	

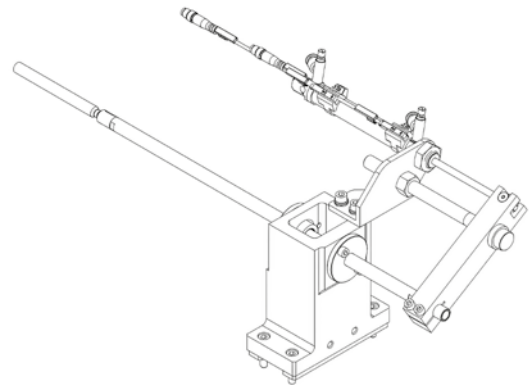
2052305



Adjustable pneumatic part ejector including collet cleaning with air extraction of part maximal length 90 mm, Including 1 spare tip for ejector

Swiss DT 26 S	Swiss DT 13 e
	498-4110

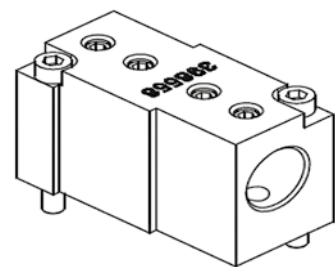
2020299



Tool block with a \varnothing 22 mm bore for work in counter operations in positions T510 to T540

Swiss DT 26 S	Swiss DT 13 e
496-4130	498-4130

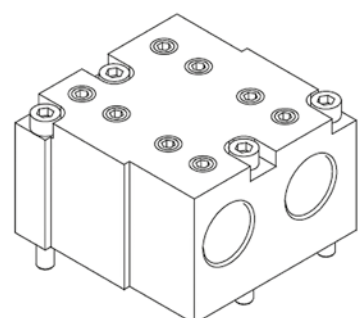
398558



Special tool block 2 bores \varnothing 22mm for work in counter operations in positions T510-T550.

Swiss DT 26 S	Swiss DT 13 e
496-4132	498-4132

2052041



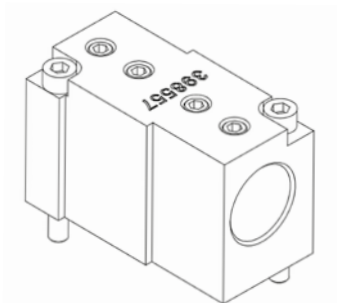
Machine options

Description

Tool block with a $\varnothing 25$ mm bore for work in counter operations in positions T510 to T540

Swiss DT 26 S	Swiss DT 13 e
496-4140	498-4140

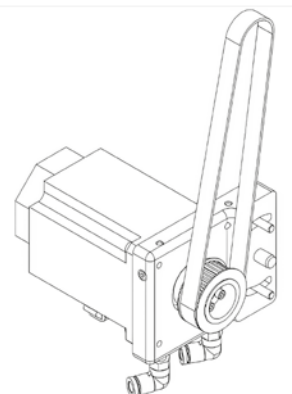
398557



S51 motorization for rotating tools in counter operations, 1 kW / 6000 rpm (max 4 rotating units)

Swiss DT 26 S	Swiss DT 13 e
496-4500	

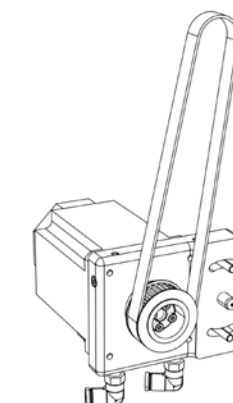
2052059



S51 motorization for rotating tools in counter operations, 1 kW / 10'000 rpm (max 4 rotating units)

Swiss DT 26 S	Swiss DT 13 e
	498-4500

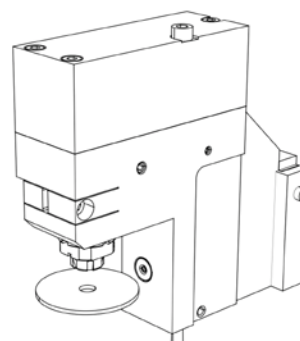
2052352



Cross drilling/slotting attachment with spindle height adjustment ± 1.5 mm, ER11

Swiss DT 26 S	Swiss DT 13 e
496-4665	498-4700

2052324

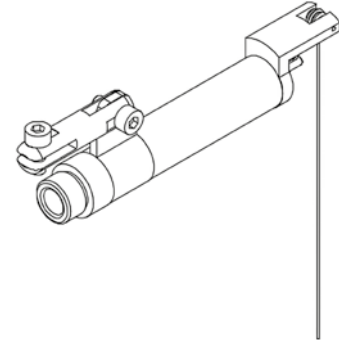


Description

*Tool break detector to check broken cutting tools
Includes: detector, electrical interface and pneumatic control
Max. 2 units per machine*

Swiss DT 26 S	Swiss DT 13 e
496-5010	498-5010

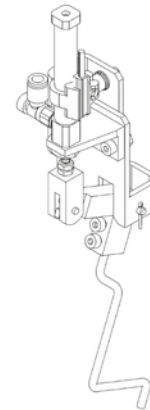
2020325



Cut off tool breakage detector

Swiss DT 26 S	Swiss DT 13 e
496-5012	

2020593



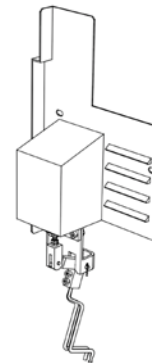
Machine options

Description

Cut off tool breakage detector

Swiss DT 26 S	Swiss DT 13 e
	498-5012

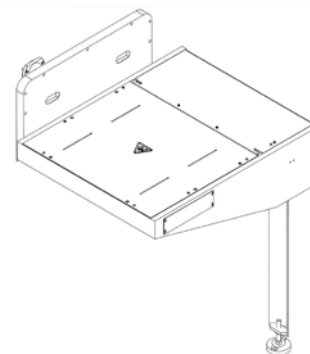
2052333



Long part device for parts up to 500 mm, dia. maximal 20 mm (Request at least 1 of the following kit 5031, 5032, 5033)

Swiss DT 26 S	Swiss DT 13 e
496-5030	

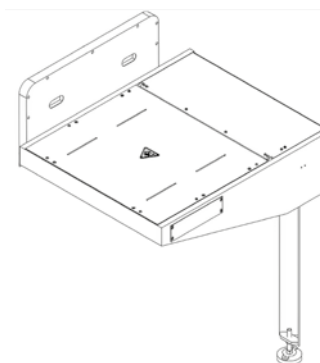
2052130



Long part device for parts up to 500 mm, dia. maximal 10 mm (Request at least 1 of the following kit 5031, 5032)

Swiss DT 26 S	Swiss DT 13 e
	498-5030

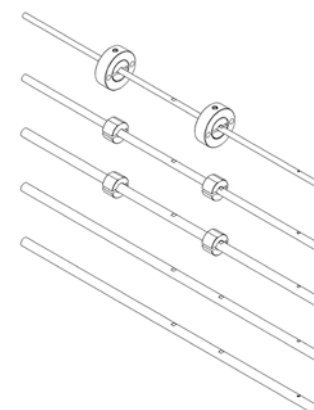
2020568+398502



Reduction tube kit to extract long parts dia: 4, 5, 6, 7, 8 mm

Swiss DT 26 S	Swiss DT 13 e
496-5031	498-5031

390239

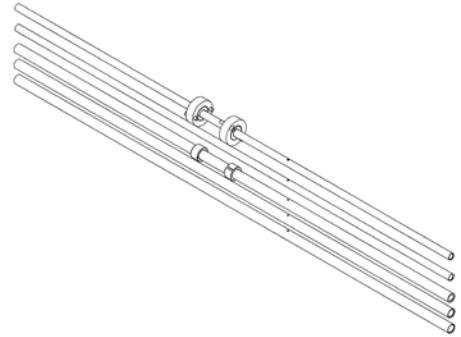


Description

Reduction tube kit to extract long parts dia: 9, 10, 11, 12, 13 mm

Swiss DT 26 S	Swiss DT 13 e
496-5032	

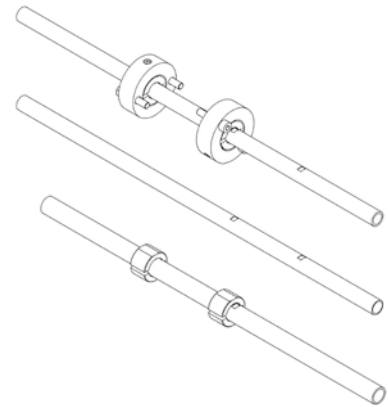
2023208



Reduction tube kit to extract long parts dia: 9, 10, 11 mm

Swiss DT 26 S	Swiss DT 13 e
	498-5032

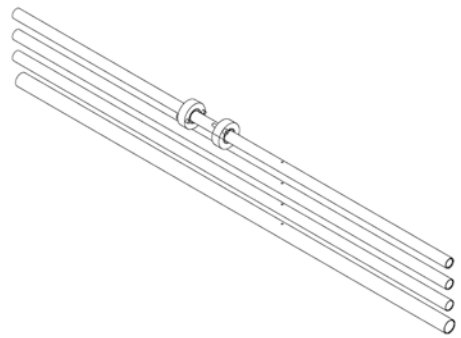
390240



Reduction tube kit to extract long parts dia: 14, 15, 16, 21 mm

Swiss DT 26 S	Swiss DT 13 e
498-5033	

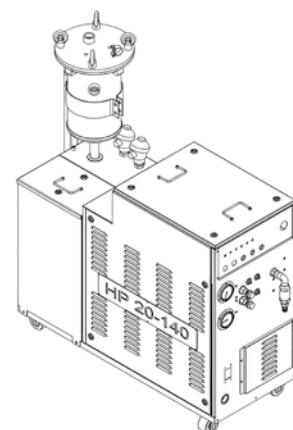
2023209



HP 140 bars Polarjet pump with 4 independant outputs including HP kit

Swiss DT 26 S	Swiss DT 13 e
496-5060	498-5060

2052128



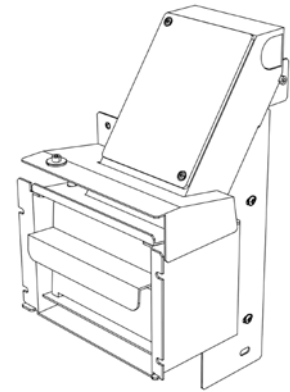
Machine options

Description

Parts collection device for part length up to 110 mm, to be recuperated into part front box, Volume of box 1,6 liter (not compatible with 5200)

Swiss DT 26 S	Swiss DT 13 e
496-5100	498-5100

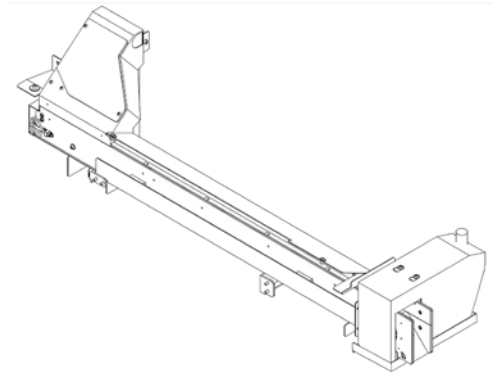
2052021



Parts conveying transport band to transport parts out of the housing

Swiss DT 26 S	Swiss DT 13 e
496-5200	498-5200

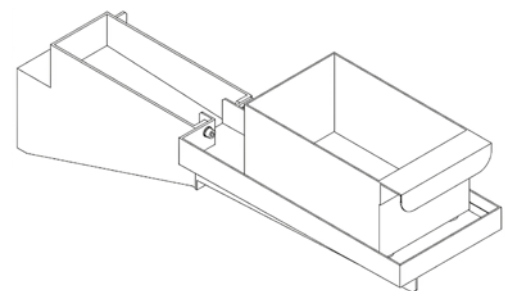
2052310



Support and part box with oil return, to be adapted under the part conveying transport band.

Swiss DT 26 S	Swiss DT 13 e
496-5210	498-5210

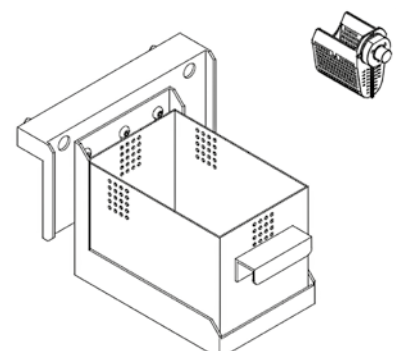
2052072



Part catcher at the guide bush for part diameter 1 mm to 13 mm part length 1 mm to 20 mm, Delivered with basket 100x50x100 mm, grid 1 mm

Swiss DT 26 S	Swiss DT 13 e
	498-5220

2020333

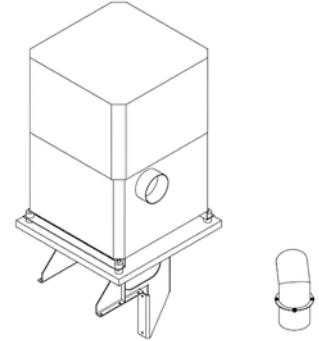


Description

Oil mist extractor, filtering capacity 1000 cubic meter / min, NCE only

Swiss DT 26 S	Swiss DT 13 e
496-5439	498-5439

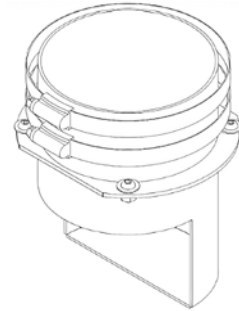
2052131



Flange adaptor with ID of 114 and OD of 118 to plug customer oil mist

Swiss DT 26 S	Swiss DT 13 e
496-5445	498-5445

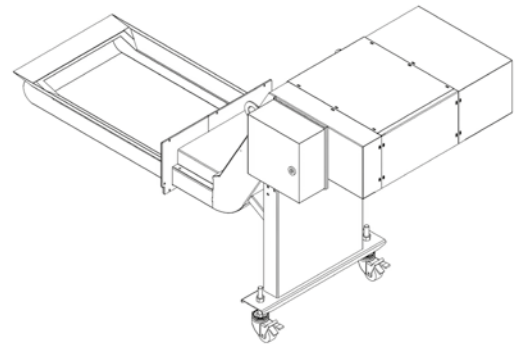
2023210



Chip conveyor simple execution LNS type, Turbo HB NCE for standard chips

Swiss DT 26 S	Swiss DT 13 e
496-5450	498-5450

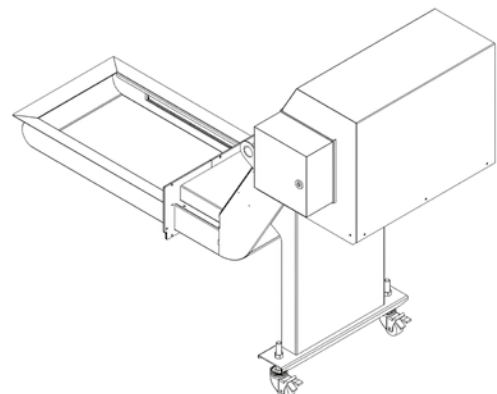
2027020



Chip conveyor with filtration LNS type, Turbo HF NCE for long and short chips

Swiss DT 26 S	Swiss DT 13 e
496-5452	498-5452

2027021



Machine options

Description

Fire extinguisher type KEENLY, NCE type

Swiss DT 26 S	Swiss DT 13 e
496-5484	498-5484

2052133

Anti-explosion opening clap

Swiss DT 26 S	Swiss DT 13 e
496-5487	498-5487

2020136

Chiller, NCE type

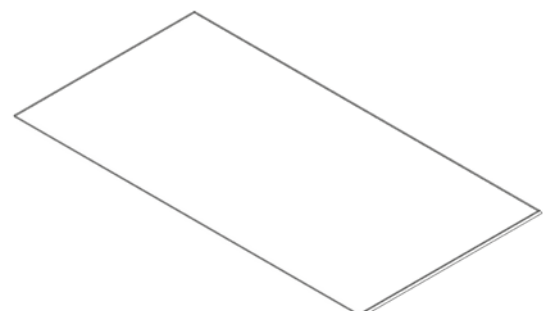
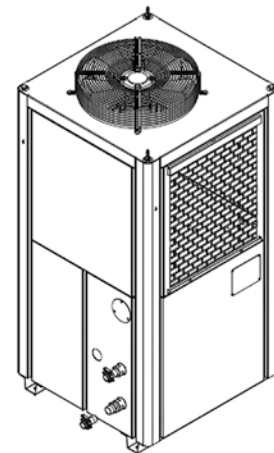
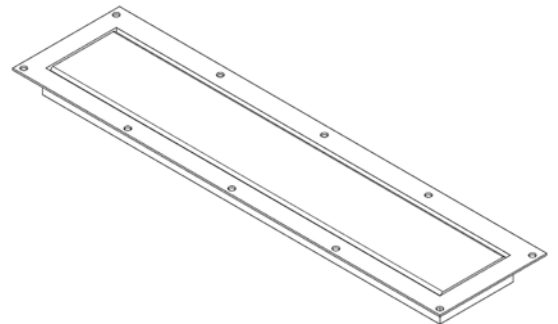
Swiss DT 26 S	Swiss DT 13 e
496-5490	498-5490

2052132

Plate for oil recovery under the machine

Swiss DT 26 S	Swiss DT 13 e
496-5500	498-5500

2010131

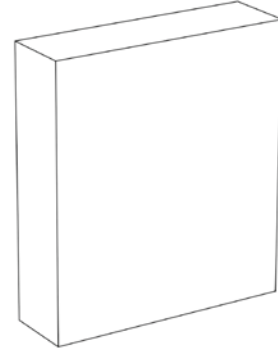


Description

Additional Fanuc I/O Module kit, for additional 4x HP outputs, additional 1x tool break detector, chips conveyor, fire extinguisher, chiller, counter spindle brake/index, 5 customer in/out functions and specific development.

Swiss DT 26 S	Swiss DT 13 e
496-5600	498-5600

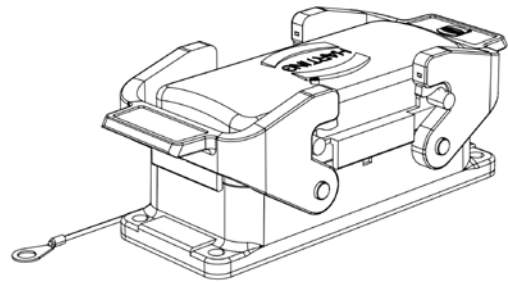
2052307



Electrical interface kit for chips conveyor. (used with 5600)

Swiss DT 26 S	Swiss DT 13 e
496-5650	498-5650

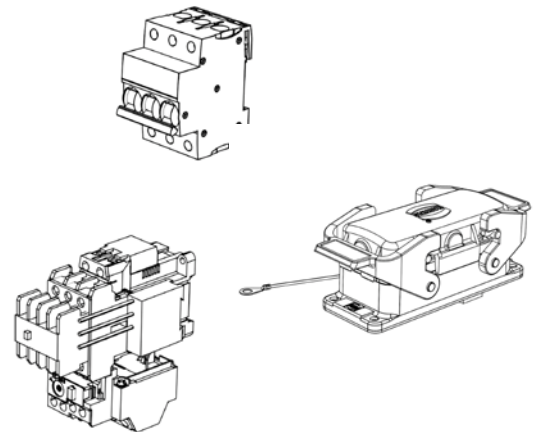
2042871



Electrical interface kit for high pressure unit and/or oil mist extractor.

Swiss DT 26 S	Swiss DT 13 e
496-5700	498-5700

2042872



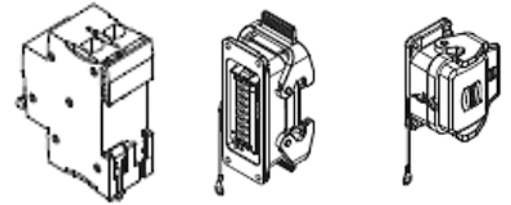
Machine options

Description

*Electrical interface kit for fire extinguisher and/or chiller
(used with 5600)*

Swiss DT 26 S	Swiss DT 13 e
496-5750	498-5750

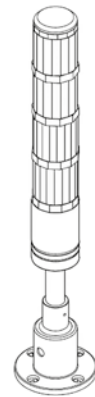
2042876



Signal tower 4 colors

Swiss DT 26 S	Swiss DT 13 e
496-5900	498-5900

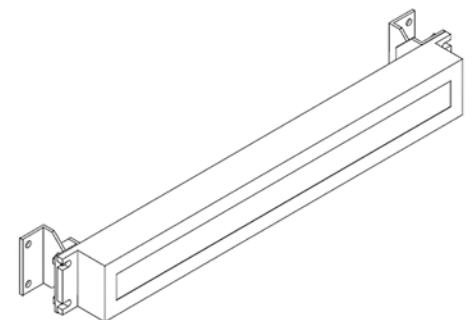
229418



Work light for main spindle area

Swiss DT 26 S	Swiss DT 13 e
496-5910	498-5910

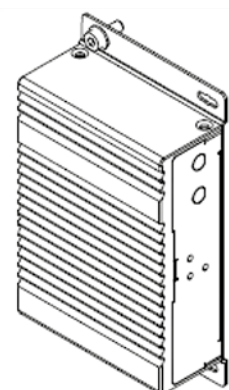
2042885



*Connectivity Pack, Including:
PC onboard connected on RJ45 plug of the machine
TISIS Tab software*

Swiss DT 26 S	Swiss DT 13 e
496-6100	498-6100

2047012



We keep you turning

TORNOS SA

Rue Industrielle 111
CH-2740 Moutier
Phone +41 (0)32 494 44 44
Fax +41 (0)32 494 44 03
contact@tornos.com

Tornos
throughout
the world



Conforms to the European CE/CEM Safety Standards

This document is based on information available at the time of publication. While every effort has been made to be accurate, the information contained herein does not purport to cover all details or variations in hardware and software, nor to provide for every possible contingency in connection with installation, operation and maintenance. TORNOS SA assumes no obligation of notice to holders of this document with respect to changes subsequently made. TORNOS SA makes no representation or warranty, expressed, implied, or statutory with respect to, and assumes no responsibility for the accuracy, completeness, sufficiency or usefulness of the information contained herein. No warranties of merchantability nor fitness for purpose shall apply.