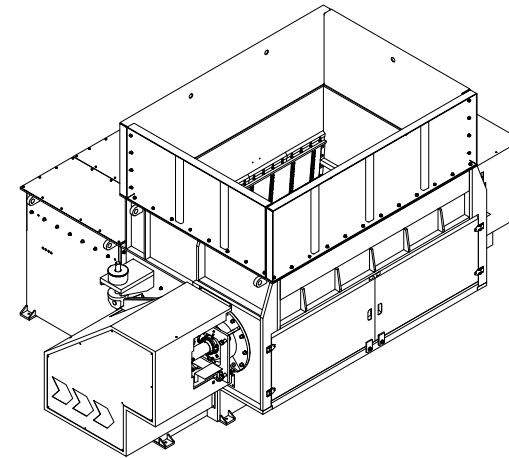
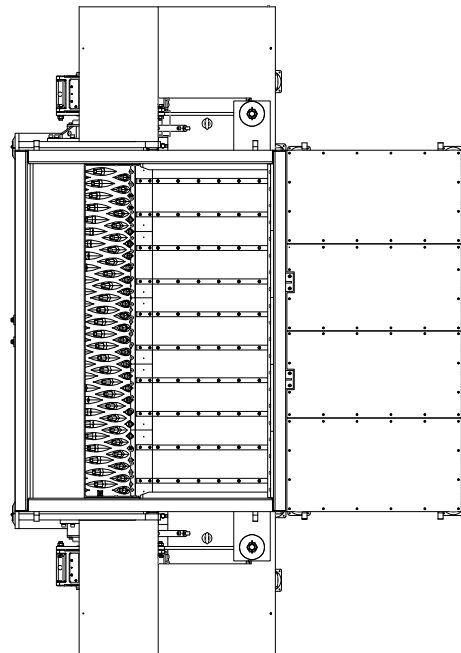
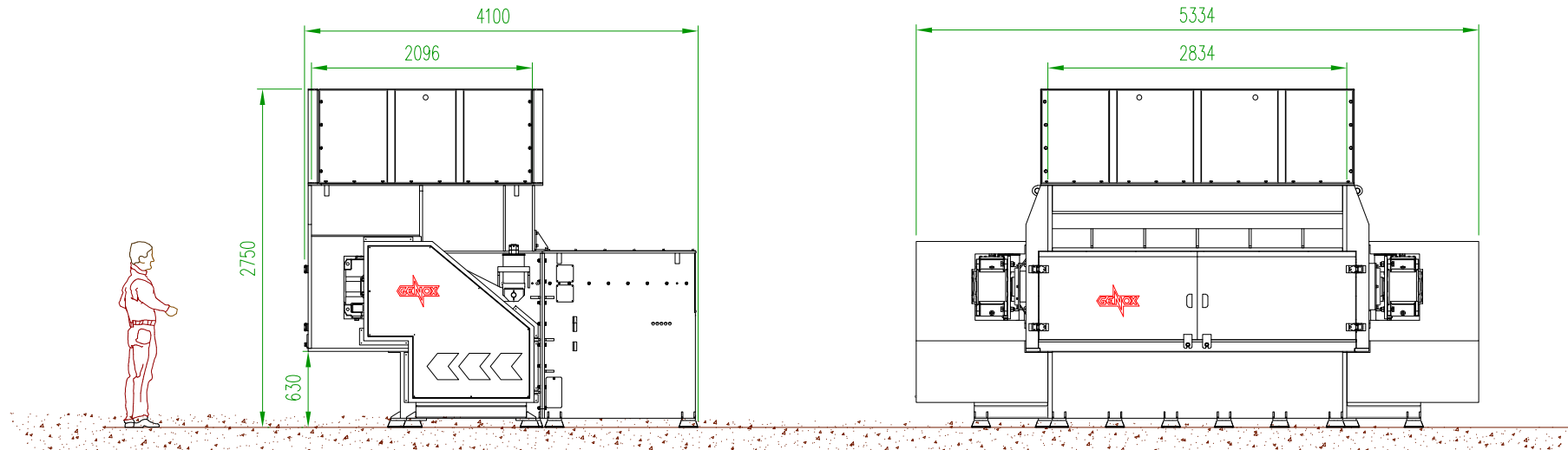


SL-BH2800-2-26




STANDARD SPECIFICATION:

ROTOR DIAMETER: 650 MM
 ROTOR WIDTH: 2800 MM
 ROTOR BLADES: 216 PCS
 FIXED BLADES: 10 PCS
 ROTOR SPEED: 80 RPM
 DRIVE POWER: 2 x 110 kW
 (2 x 90 kW & 2 x 132 kW OPTIONAL)
 HYDRAULIC POWER: 15 kW
 WEIGHT: APPROX. 28,000 KG

STANDARD PAINT SHADES:

MACHINE BODY (RAL 7030 - STONE GREY)
 HOPPER (RAL 7022 - UMBRA GREY)
 MAINTENANCE & MOTOR (RAL 1003 - SIGNAL YELLOW)

 <small>GENOX RECYCLING TECHNOLOGY (UK) LTD 2 CURZON ROAD, OFFERTON STOCKPORT, CHESHIRE UNITED KINGDOM SK2 5DH</small>		BH2800 DUAL DRIVE SINGLE SHAFT SHREDDER STANDARD LAYOUT DIMENSIONS
DATE	SCALE	SL-BH2800-2-26
1/6/2026	N.T.S.	
DRAWN BY: J. DAKIN		