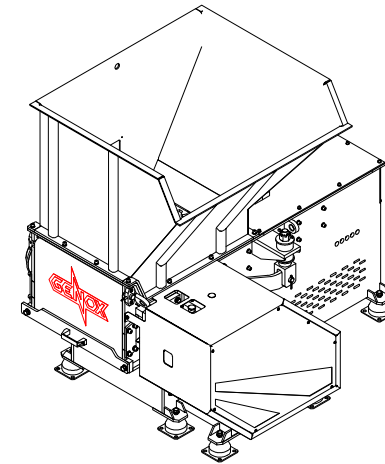
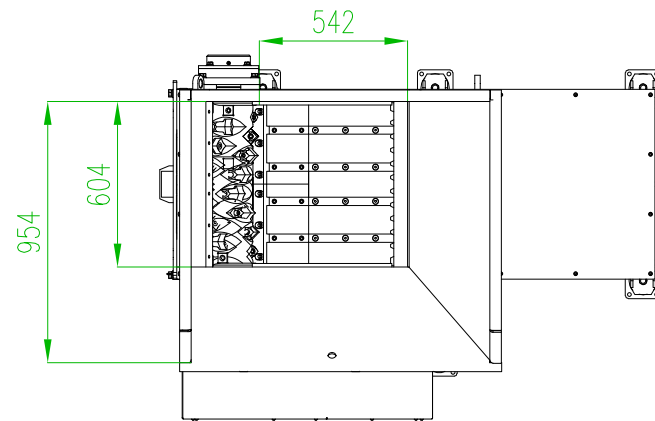
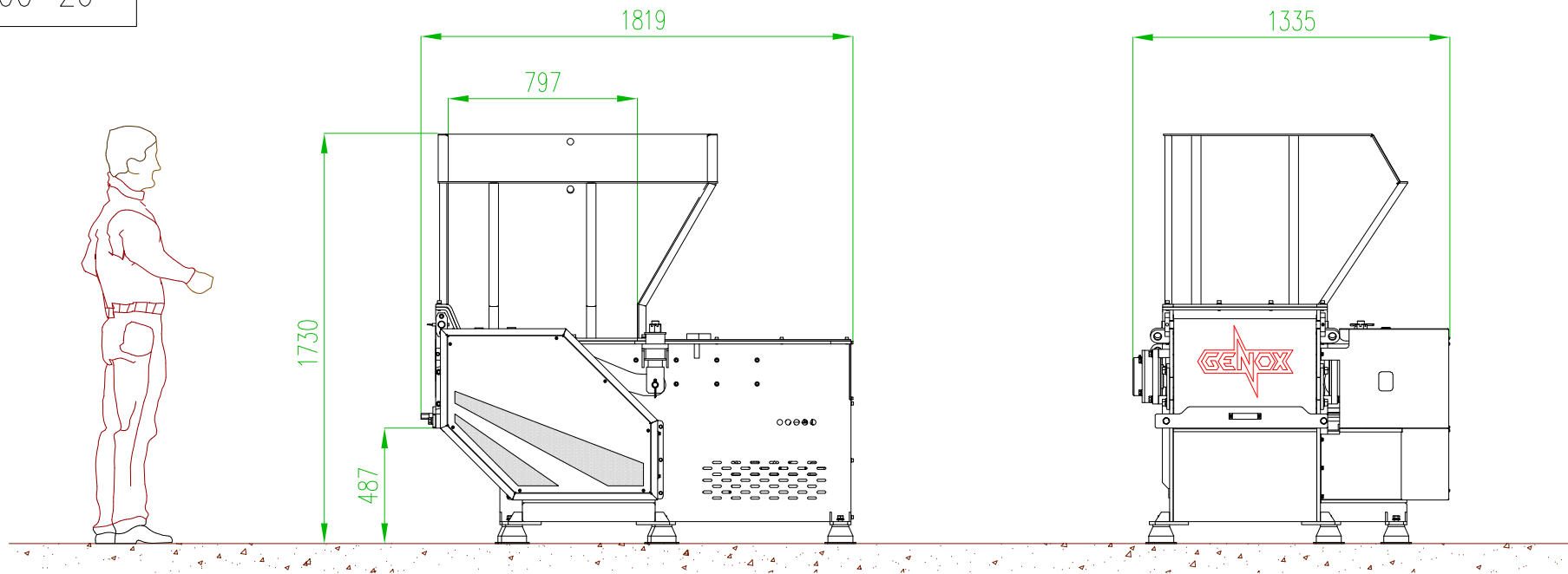



SL-V600-26



STANDARD SPECIFICATION:  
 ROTOR DIAMETER: 220 MM  
 ROTOR WIDTH: 600 MM  
 ROTOR BLADES: 23 PCS  
 FIXED BLADES: 4 PCS  
 ROTOR SPEED: 80 RPM  
 DRIVE POWER: 18.5 kW  
 HYDRAULIC POWER: 2.2 kW

STANDARD PAINT SHADES:  
 MACHINE BODY (RAL 7030 - STONE GREY)  
 HOPPER (RAL 7022 - UMBRA GREY)  
 MAINTENANCE PARTS & MOTORS (RAL 1003 - SIGNAL YELLOW)

 GENOX RECYCLING TECHNOLOGY (UK) LTD 2 CURZON ROAD, OFFERTON STOCKPORT, CHESHIRE UNITED KINGDOM SK2 5DH		<b>V600</b> <b>SINGLE SHAFT SHREDDER</b> STANDARD LAYOUT DIMENSIONS
DATE	SCALE	SL-V600-26
19/3/2026	N.T.S.	
DRAWN BY: J. DAKIN		