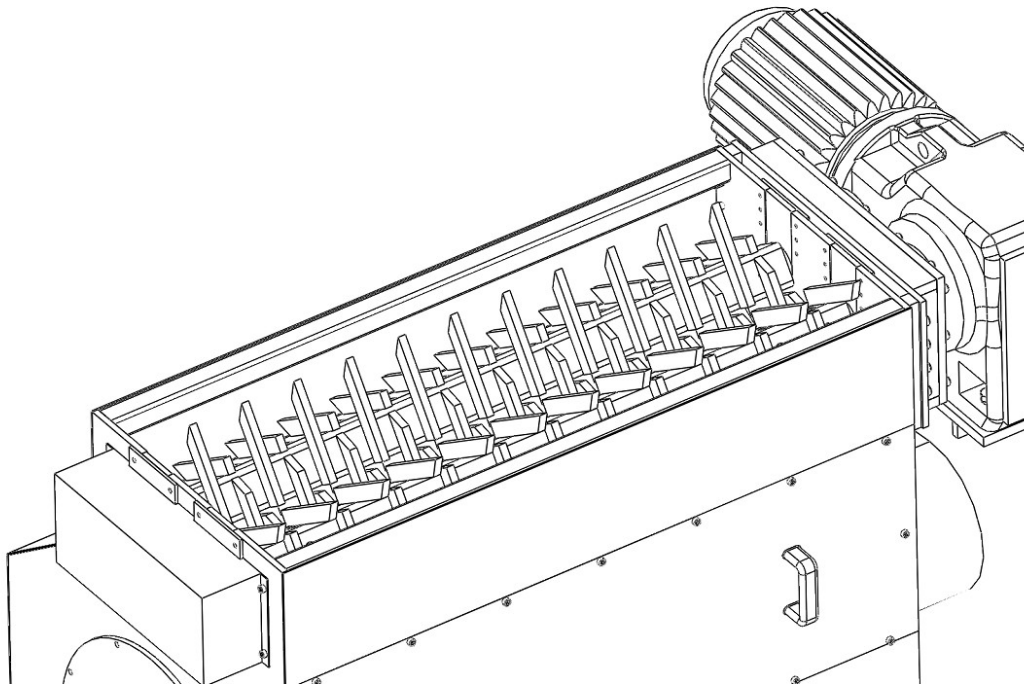
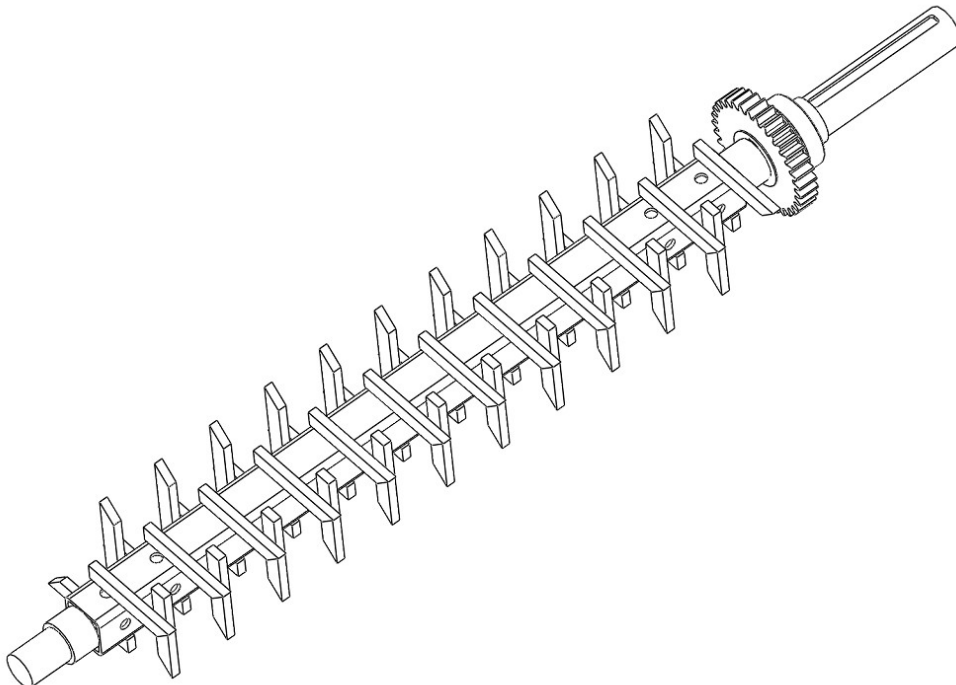


Item	Description	Model
1	Hopper	
2	Coarse cutting chamber	
3	Grinding chamber	
4	Inspection plate	
5	Discharge hopper	
6	Machine base	
7	Electrical motor	15kw
8	Belt	
9	Protection Cover	
10	Gear box	KW97A-50-Y-5.5-B3-270
11	Electrical motor	7.5kw

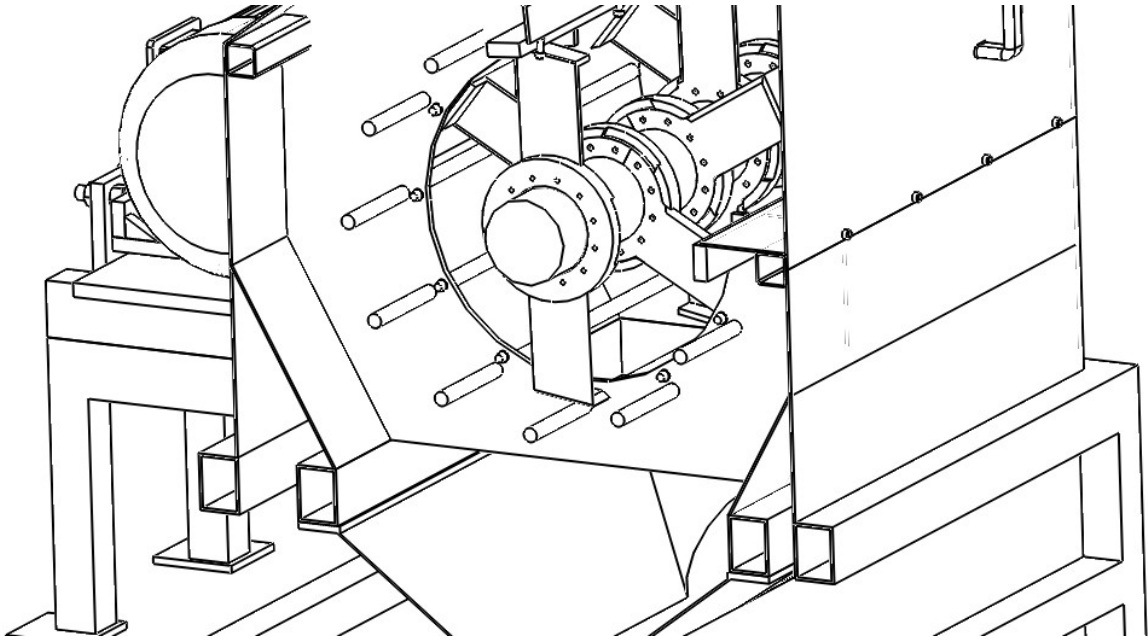
◆ Structure of main parts



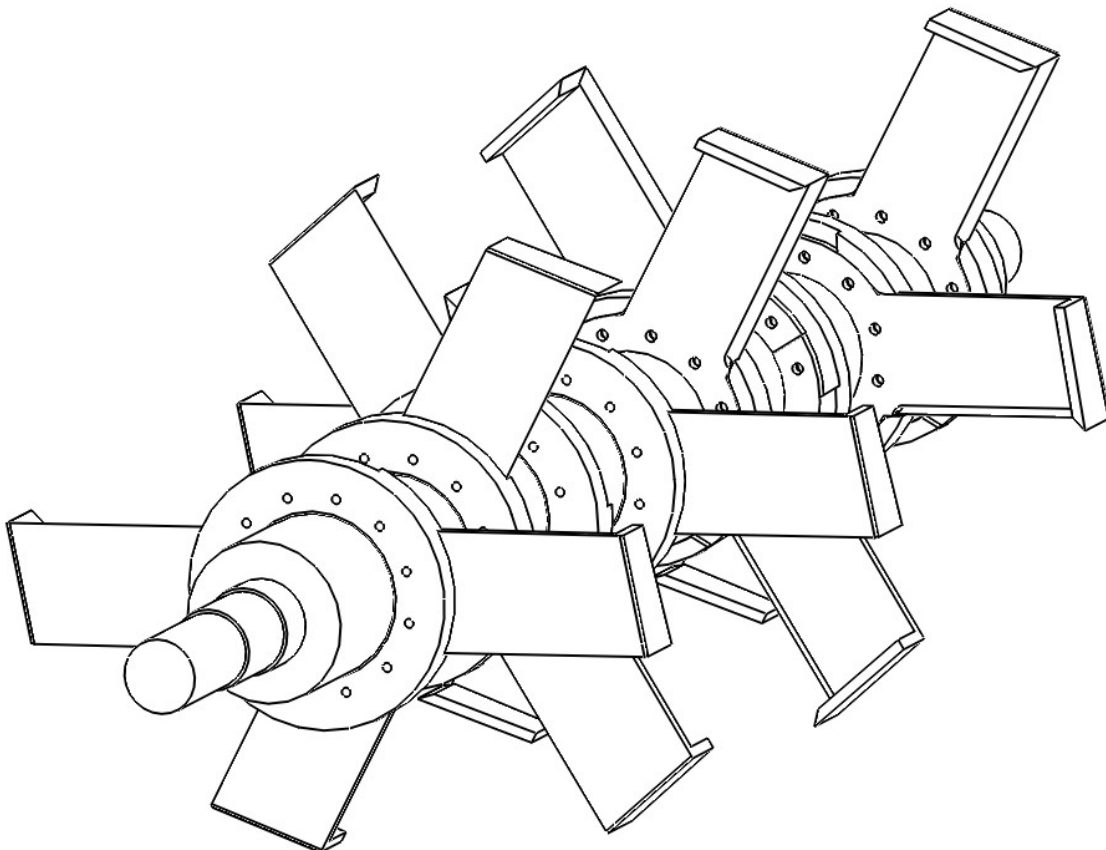
Structure of coarse cutting chamber



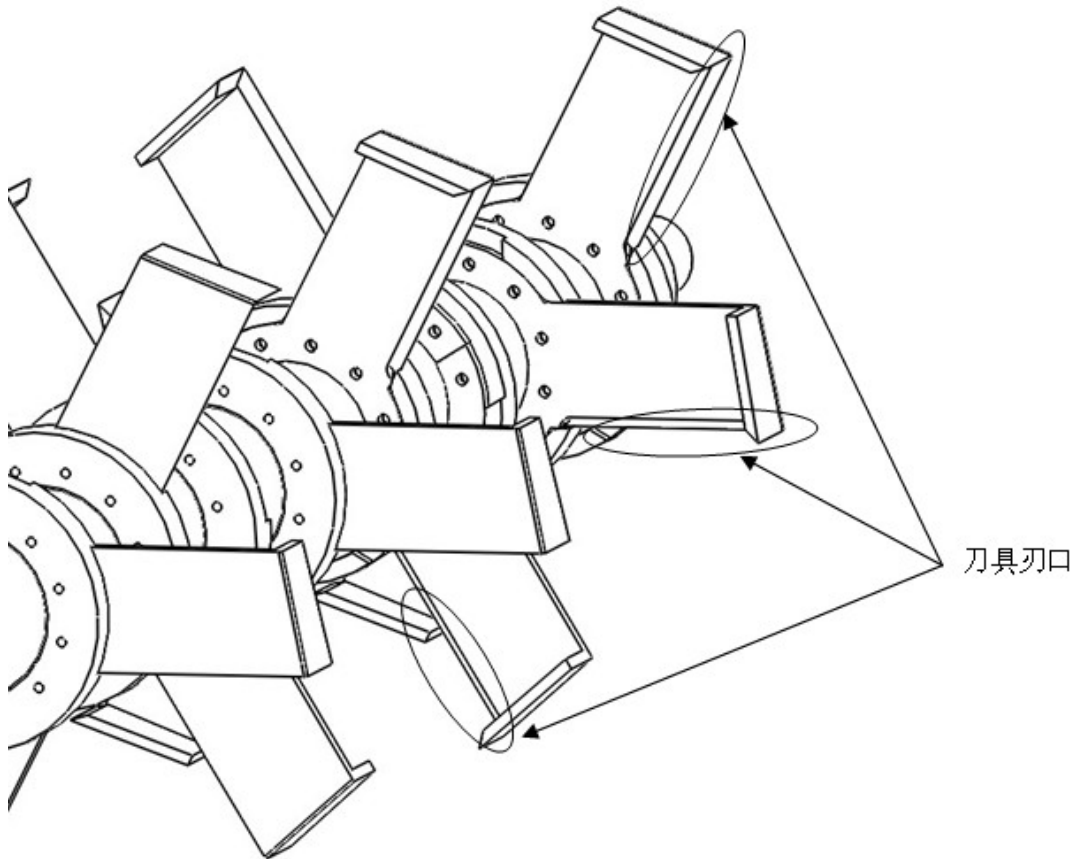
Coarse cutting shaft



Grinding chamber



Grinding cutting shaft



Attentions:

1. Some wear will be occurs to the cutting edge of the routine use. They needs to be patched at a certain stage, or it will affect the equipment's normal running.
2. The speed of cutter shaft is very high in the process of operation, it's strictly forbid to dip hand into the crushing chamber. Power must be cut off in the inspection or maintenance process.