

0CD50-M05900EN

P R E F A C E

This parts catalog is the 1st edition of 3TNV86CT-DVX for Roberine.

Published : March, 2020

Contents

OCD50-M05900

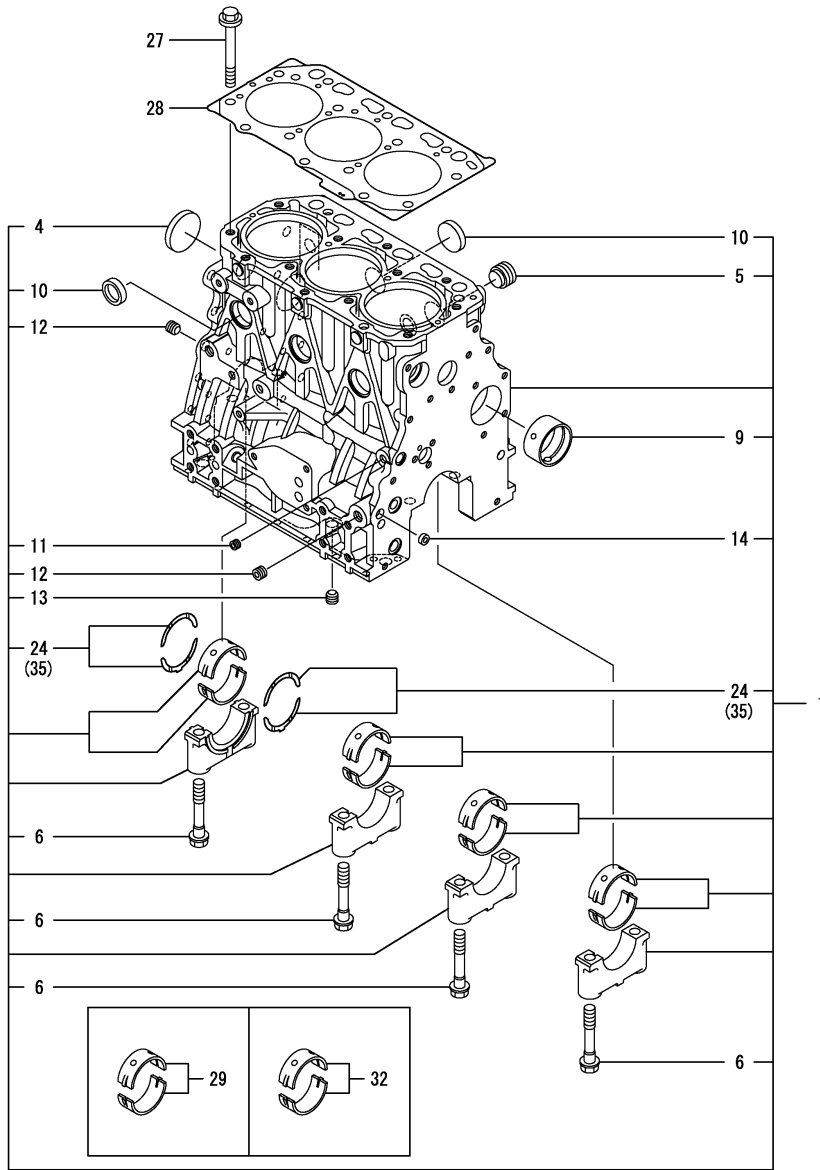
Fig. No. Fig. Name

Fig. No. Fig. Name

ENGINE

1. CYLINDER BLOCK
2. GEAR HOUSING
3. FLYWHEEL HOUSING & OIL SUMP
4. CYLINDER HEAD & BONNET
5. SUCTION MANIFOLD
6. EXHAUST MANIFOLD
7. DIESEL PARTICULATE FILTER(DPF)
8. CAMSHAFT & DRIVING GEAR
9. TURBINE
10. CRANKSHAFT & PISTON
11. LUB. OIL SYSTEM
12. LUB. OIL PIPE
13. COOLING WATER SYSTEM
14. FUEL SUPPLY PUMP
15. FUEL INJECTION VALVE
16. FUEL PIPE
17. STARTER MOTOR
18. GENERATOR
19. ELECTRONIC CONTROL UNIT(ECU)
20. ELECTRIC PARTS
21. ACCESSORY

Fig.1. CYLINDER BLOCK



(A)=3TNV86CT-DVX
(B)=
(C)=

(D)=
(E)=
(F)=

No.	Lev.	Parts No.	Description	Q'ty						I	R
				(A)	(B)	(C)	(D)	(E)	(F)		
1	1	129A01-01560	BLOCK ASSY, CYLINDER	1							
4	2	129001-01250	PLUG, 50	1							
5	2	171051-01921	PLUG, NPTF1	1							
6	2	129150-02020	BOLT, METAL CAP	8							
9	2	129795-02412	BUSH, CAMSHAFT	1							
10	2	27241-300000	PLUG 30	6							
11	2	124060-01050	PLUG, PT1/8	1							
12	2	124160-01910	PLUG, PT1/4	2							
13	2	124160-01910	PLUG, PT1/4	1							
14	2	27241-120000	PLUG, 12	1							
24	2	129150-02931	METAL ASSY, THRUST	2							
27	1	129150-01200	BOLT, CYLINDER HEAD	14							
28	1	129A01-01331	GASKET ASSY, HEAD	1							
29	1	129001-02931	METAL ASSY, MAIN	4							1
32	1	129150-02871	METAL ASSY, MAIN .25	4							2
35	1	129150-02941	METAL ASSY, 0.25 OS	1							3

Remarks

- (1) Spare parts.
- (2) Under-sized (U.S.=0.25) parts.
- (3) Over-sized (O.S.=0.25) parts.

Fig.3. FLYWHEEL HOUSING & OIL SUMP

(A)=3TNV86CT-DVX

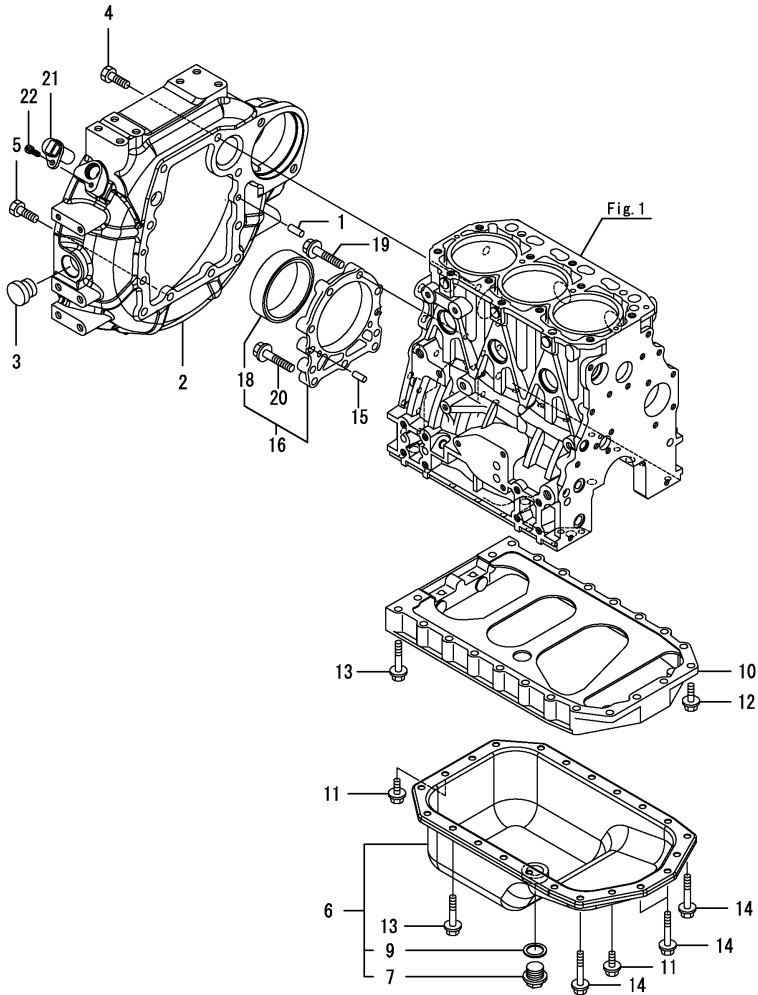
(B)=

(C)=

(D)=

(E)=

(F)=



No.	Lev.	Parts No.	Description	Q'ty						I	R
				(A)	(B)	(C)	(D)	(E)	(F)		
1	1	129100-01580	PIN, PARALLEL 8X16	2							
2	1	129A00-01602	HOUSING, FLYWHEEL	1							
3	1	119620-01750	CAP, WHEEL COVER	1							
4	1	26206-100252	BOLT, M10X 25 PLATED	6							
5	1	26206-100302	BOLT, M10X 30 PLATED	4							
6	1	129121-01540	OIL PAN ASSY	1							
7	2	119640-01640	PLUG, DRAIN M22	1							
9	2	22190-220002	WASHER, SEAL 22	1							
10	1	129100-01730	SPACER, OIL PAN	1							
11	1	26106-080162	BOLT, M8X 16 PLATED	4							
12	1	26106-080252	BOLT, M8X 25 PLATED	2							
13	1	26106-080452	BOLT, M8X 45 PLATED	16							
14	1	26106-080502	BOLT, M8X 50 PLATED	4							
15	1	129100-01580	PIN, PARALLEL 8X16	2							
16	1	129648-01600	CASE ASSY, OIL SEAL	1							
18	2	129648-01780	SEAL, OIL	1							
19	1	129486-01670	BOLT, M8X30	6							
20	1	26106-080352	BOLT, M8X 35 PLATED	3							
21	1	129A00-21710	SENSOR, FLYWHEEL	1							1
22	1	26450-060162	BOLT, M6X 16	1							

Remarks

(1)When replacing this part, it is necessary to update the software of the ECU using the designated service tool. Please refer to the Service Manual for details.

Fig.4. CYLINDER HEAD & BONNET

(A)=3TNV86CT-DVX

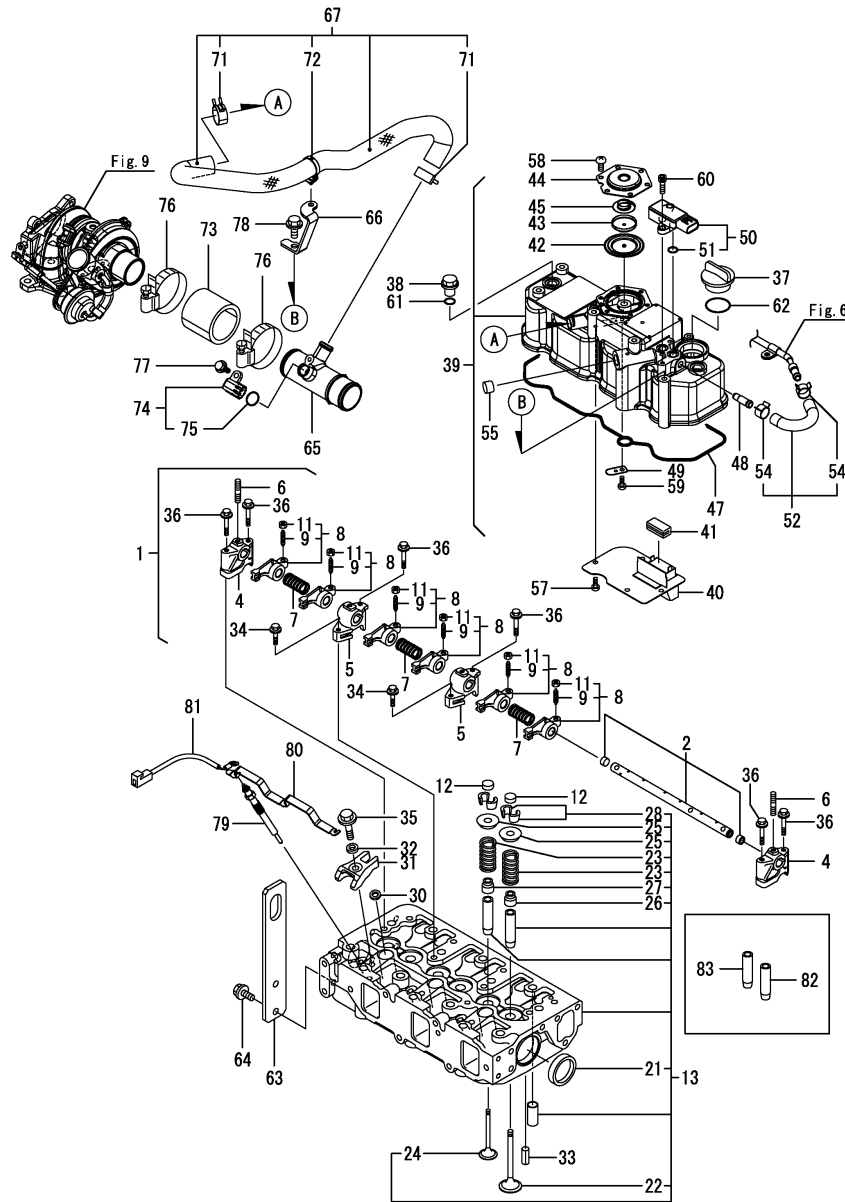
(B)=

(C)=

(D)=

(E)=

(F)=



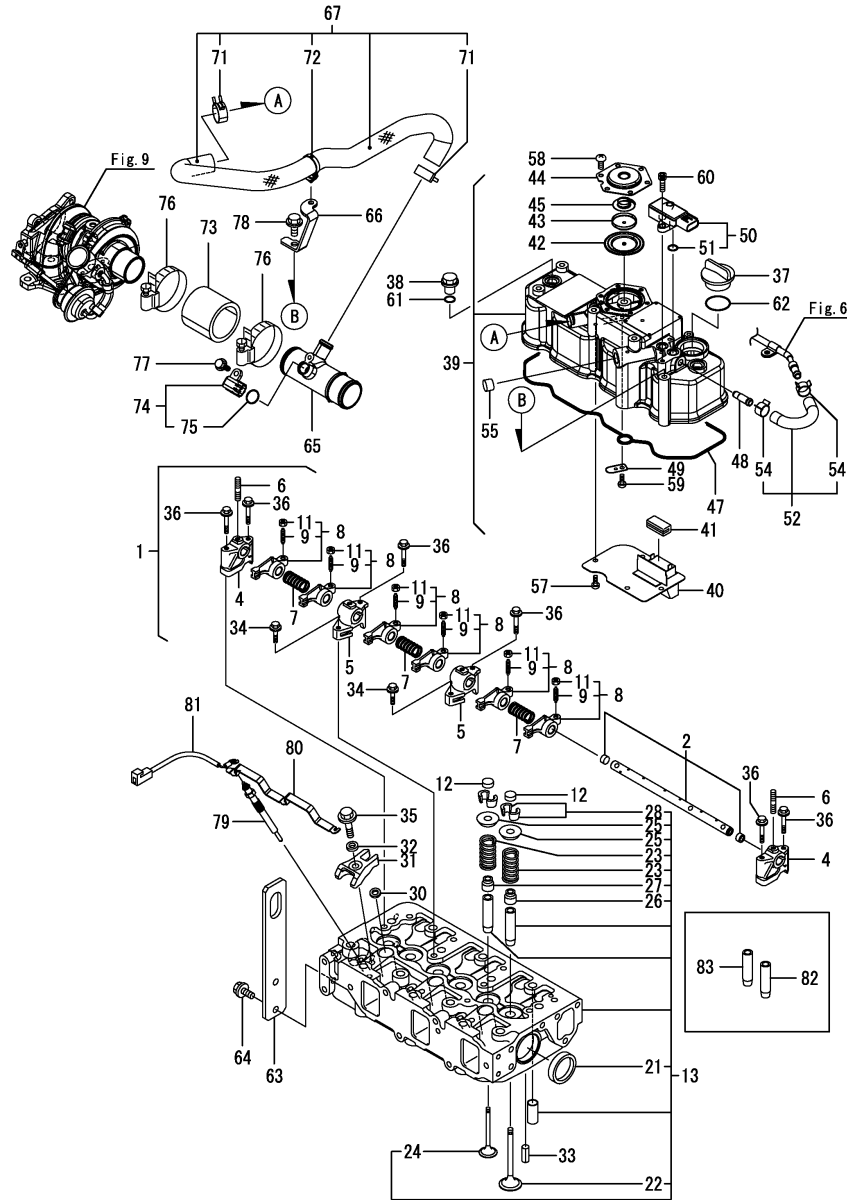
No.	Lev.	Parts No.	Description	(A)	(B)	(C)	Q'ty	(D)	(E)	(F)	I	R
1	1	129004-11241	SHAFT ASSY, ROCKER	1								
2	2	129004-11251	SHAFT, ROCKER ARM	1								
4	2	119802-11260	SUPPORT, ROCKER ARM	2								
5	2	119802-11270	SUPPORT, ROCKER ARM	2								
6	2	119802-11280	BOLT, STUD	3								
7	2	129150-11280	SPRING, SHAFT	3								
8	2	129004-11650	ARM ASSY, ROCKER	6								
9	3	129150-11230	SCREW, VALVE ADJUST	6								
11	3	129150-11750	NUT, M8XP1.0	6								
12	1	129150-11370	CAP, VALVE	6								
13	1	129A01-11700	HEAD ASSY, CYLINDER	1								
21	2	27241-400000	PLUG, 40	2								
22	2	129005-11100	VALVE, INTAKE	3								
23	2	129795-11120	SPRING, VALVE	6								
24	2	129100-11130	VALVE, EXHAUST	3								
25	2	129795-11180	RETAINER, SPRING	6								
26	2	124460-11340	SEAL, VALVE STEM	3								
27	2	129A00-11340	SEAL, VALVE STEM	3								
28	2	27310-080001	COTTER, 8	6								
30	1	129978-11871	GASKET, INJECTOR	3								
31	1	129A00-11900	RETAINER, INJECTOR	3								
32	1	120270-54410	WASHER, INJECTOR	3								
33	1	22351-060012	PIN, SPRING 6.0X12	2								
34	1	26106-080252	BOLT, M8X 25 PLATED	2								
35	1	26106-080352	BOLT, M8X 35 PLATED	3								
36	1	26106-080502	BOLT, M8X 50 PLATED	6								
37	1	124160-01751	CAP, FILLER	1								
38	1	124160-11360	KNOB, BONNET	3								
39	1	129A01-11360	BONNET ASSY, HEAD	1								
40	2	129004-03010	PLATE, BAFFLE	1								
41	2	129150-03070	BAFFLE, BREATHER	1								
42	2	123907-03100	DIAPHRAGM, BREATHER	1								
43	2	123907-03110	PLATE, CENTER	1								
44	2	123907-03120	PLATE, BREATHER	1								
45	2	123907-03140	SPRING, DIAPHRAGM	1								
47	2	129A00-11310	GASKET, BONNET	1								
48	2	129A00-11330	JOINT	1								
49	2	129009-11340	SPRING, PLATE	1								
50	2	129978-12700	SENSOR, PRESSURE	1								1
51	3	129A00-12780	O-RING, EGR SENSOR	2								
52	2	129A00-13360	HOSE ASSY, PRESSURE	1								
54	3	129A00-13380	CLIP, HOSE 14	2								
55	2	119640-61400	PLUG	1								
57	2	22857-500100	SCREW, 5X10	4								
58	2	22857-500100	SCREW, 5X10	6								
59	2	22857-500100	SCREW, 5X10	1								
60	2	26450-060162	BOLT, M6X 16	2								
61	1	24311-000120	O-RING, 1AP12.0	3								
62	1	24311-000320	O-RING, 1AP32.0	1								
63	1	129944-07910	LIFTER	1								
64	1	26106-080162	BOLT, M8X 16 PLATED	2								

Remarks

(1)When replacing this part, it is necessary to update the software of the ECU using the designated service tool. Please refer to the Service Manual for details.

(2)Spare parts.

Fig.4. CYLINDER HEAD & BONNET



(A)=3TNV86CT-DVX
(B)=
(C)=

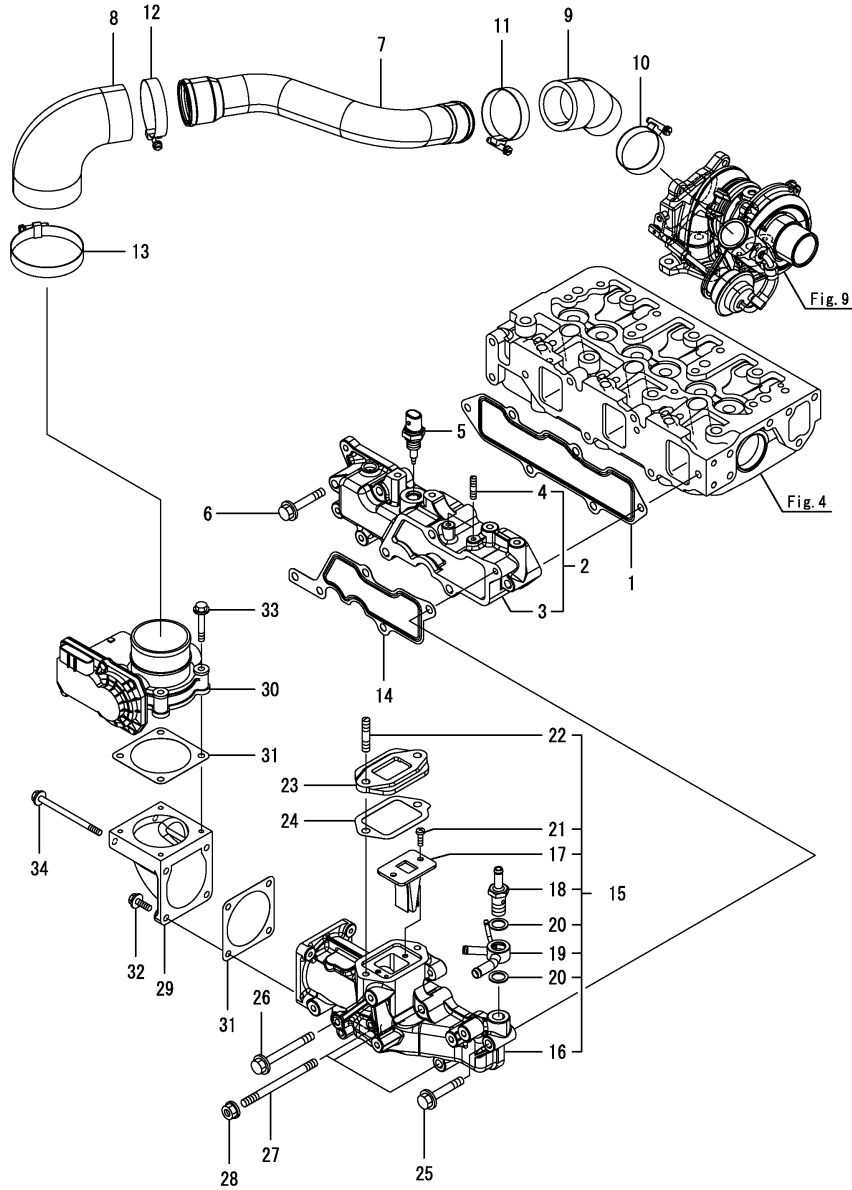
(D)=
(E)=
(F)=

No.	Lev.	Parts No.	Description	Q'ty						I	R
				(A)	(B)	(C)	(D)	(E)	(F)		
65	1	129A01-03060	JOINT,BREATHER	1							
66	1	129A01-03100	STAY, BREATHER HOSE	1							
67	1	129A01-03120	HOSE ASSY, BREATHER	1							
71	2	129410-03990	CLAMP, HOSE 21.5	2							
72	2	129A00-91200	CLIP, BAND	1							
73	1	129A01-12060	HOSE, AIR	1							
74	1	129A00-12711	SENSOR, TEMPERATURE	1							
75	2	129A00-12790	O-RING, TEMP SENSOR	1							
76	1	23000-054000	CLAMP, 54	2							
77	1	26106-060162	BOLT, M6X 16 PLATED	1							
78	1	26106-080162	BOLT, M8X 16 PLATED	1							
79	1	129008-77800	PLUG, GLOW	3							
80	1	129A00-77820	CONNECTOR, GLOW PLUG	1							
81	1	119803-77830	HARNES, WIRE	1							
82	1	120130-11860	GUIDE, VALVE	3							2
83	1	129150-11810	GUIDE, VALVE	3							2

Remarks

- (1)When replacing this part, it is necessary to update the software of the ECU using the designated service tool. Please refer to the Service Manual for details.
- (2)Spare parts.

Fig.5. SUCTION MANIFOLD



(A)=3TNV86CT-DVX
(B)=
(C)=

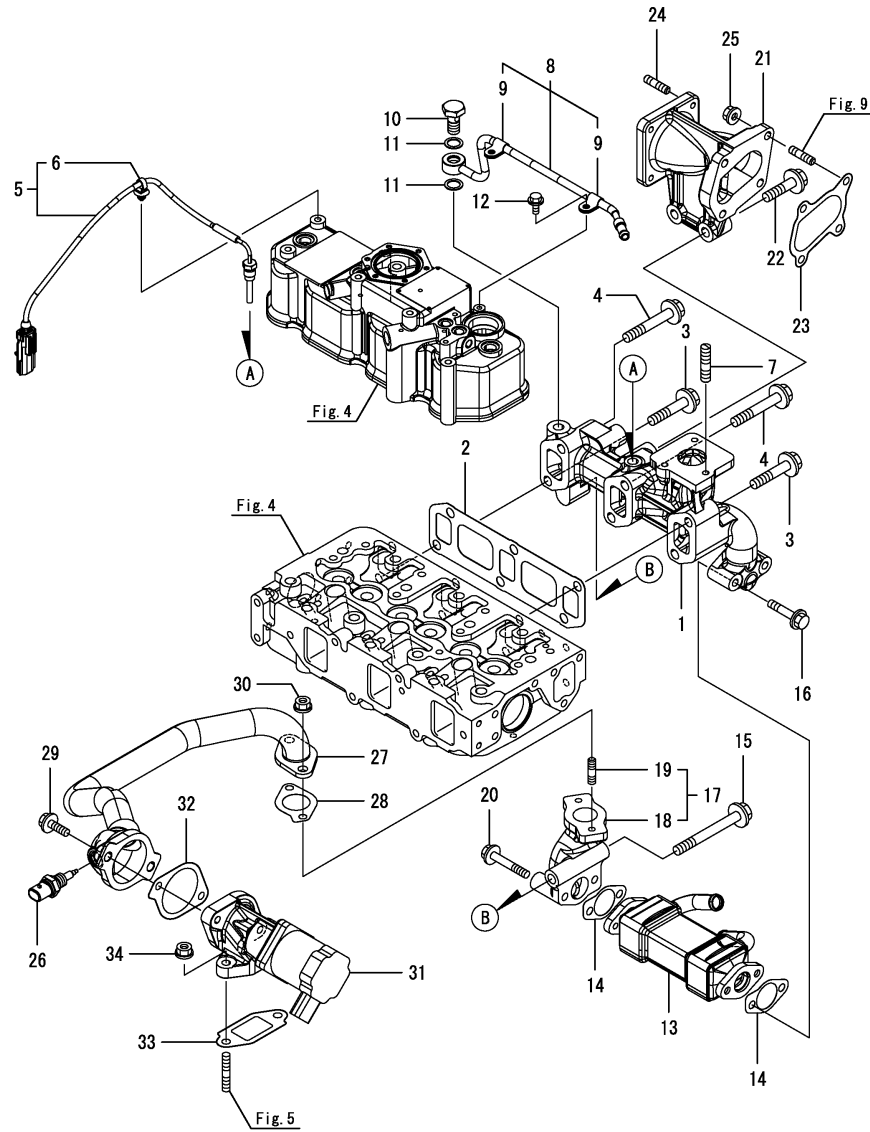
(D)=
(E)=
(F)=

No.	Lev.	Parts No.	Description	Q'ty						I	R
				(A)	(B)	(C)	(D)	(E)	(F)		
1	1	129A00-12110	GASKET, MANIFOLD	1							
2	1	129A01-12150	MANIFOLD ASSY,INTAKE	1							
3	2	129A01-12100	MANIFOLD, INTAKE	1							
4	2	26216-060202	STUD, M6X 20	2							
5	1	129A00-12721	SENSOR,AIR TEMP	1							1
6	1	26106-080502	BOLT, M8X 50 PLATED	3							
7	1	129A01-18200	DUCT, AIR	1							
8	1	129A01-18210	JOINT, RUBBER	1							
9	1	129A01-18220	JOINT, RUBBER	1							
10	1	23000-048000	CLAMP, 48	1							
11	1	23000-054000	CLAMP, 54	1							
12	1	23000-060000	CLAMP, 60	1							
13	1	23000-075000	CLAMP, 75	1							
14	1	129A00-12810	GASKET, COLLECTOR	1							
15	1	129A01-12851	COLLECTOR ASSY	1							
16	2	129A01-12800	COLLECTOR, INTAKE	1							
17	2	129C01-13700	VALVE, REED	1							
18	2	129A00-59110	JOINT, HOSE M14	1							
19	2	129A00-59120	JOINT, HOSE 14	1							
20	2	22190-140002	WASHER, SEAL 14	2							
21	2	22857-500160	SCREW, 5X16	2							
22	2	26216-080352	STUD, M8X 35	2							
23	1	129A00-13710	SPACER, EGR VALVE	1							
24	1	129A00-13720	GASKET, EGR-V SPACER	1							
25	1	26106-080502	BOLT, M8X 50 PLATED	1							
26	1	26106-080752	BOLT, M8X 75 PLATED	1							
27	1	26216-081052	STUD, M8X105	3							
28	1	26306-080002	NUT, M8	3							
29	1	129A00-12820	BEND, INTAKE	1							
30	1	129A00-12900	THROTTLE, INTAKE	1							1
31	1	129A00-12910	GASKET, THROTTLE	2							
32	1	26106-060202	BOLT, M6X 20 PLATED	2							
33	1	26106-060402	BOLT, M6X 40 PLATED	4							
34	1	26106-060902	BOLT, M6X 90 PLATED	2							

Remarks

(1)When replacing this part, it is necessary to update the software of the ECU using the designated service tool. Please refer to the Service Manual for details.

Fig.6. EXHAUST MANIFOLD



(A)=3TNV86CT-DVX

(B)=

(C)=

(D)=

(E)=

(F)=

No.	Lev.	Parts No.	Description	Q'ty						I	R
				(A)	(B)	(C)	(D)	(E)	(F)		
1	1	129A01-13101	MANIFOLD, EXHAUST	1							
2	1	129A00-13110	GASKET, MANIFOLD	1							
3	1	129A01-13601	BOLT, M10X50 10.9T	2							
4	1	129F01-13620	BOLT, M10X65 10.9T	4							
5	1	129A01-13760	SENSOR, TEMPERATURE	1							1
6	2	129A00-91200	CLIP, BAND	1							
7	1	129418-18320	STUD, M8X20	3							
8	1	129A00-13300	PIPE ASSY, PRESSURE	1							
9	2	23297-080061	CLAMP, A8X 6	2							
10	1	129A00-13350	BOLT, PIPE JOINT	1							
11	1	23414-120000	GASKET, 12X1.0	2							
12	1	26106-060122	BOLT, M6X 12 PLATED	2							
13	1	129A00-13400	COOLER, EGR	1							
14	1	129A00-13410	GASKET, EGR COOLER	2							
15	1	129F01-13600	BOLT, M10X90 10.9T	1							
16	1	129E00-13620	BOLT, M8X40 10.9	2							
17	1	129A00-13851	PIPE, EGR OUTLET	1							
18	2	129A00-13861	PIPE, EGR OUTLET	1							
19	2	129418-18320	STUD, M8X20	2							
20	1	26106-080502	BOLT, M8X 50 PLATED	2							
21	1	129A01-13350	PIPE, EXHAUST	1							
22	1	129F01-13650	BOLT, M10X40 10.9T	2							
23	1	129A01-18090	GASKET, TURBINE OUT	1							
24	1	119131-18320	STUD, M8X22	4							
25	1	26306-080002	NUT, M8	4							
26	1	129A00-13752	SENSOR,EGR GAS TEMP	1							1
27	1	129A00-13800	PIPE, EGR	1							
28	1	129927-13810	GASKET, EGR PIPE	1							
29	1	26106-080252	BOLT, M8X 25 PLATED	2							
30	1	26306-080002	NUT, M8	2							
31	1	129A00-13901	VALVE, EGR	1							1
32	1	129A00-13910	GASKET, EGR-V INLET	1							
33	1	129A00-13920	GASKET, EGR-V OUTLET	1							
34	1	26306-080002	NUT, M8	2							

Remarks

(1)When replacing this part, it is necessary to update the software of the ECU using the designated service tool. Please refer to the Service Manual for details.

Fig.7. DIESEL PARTICULATE FILTER(DPF)

(A)=3TNV86CT-DVX

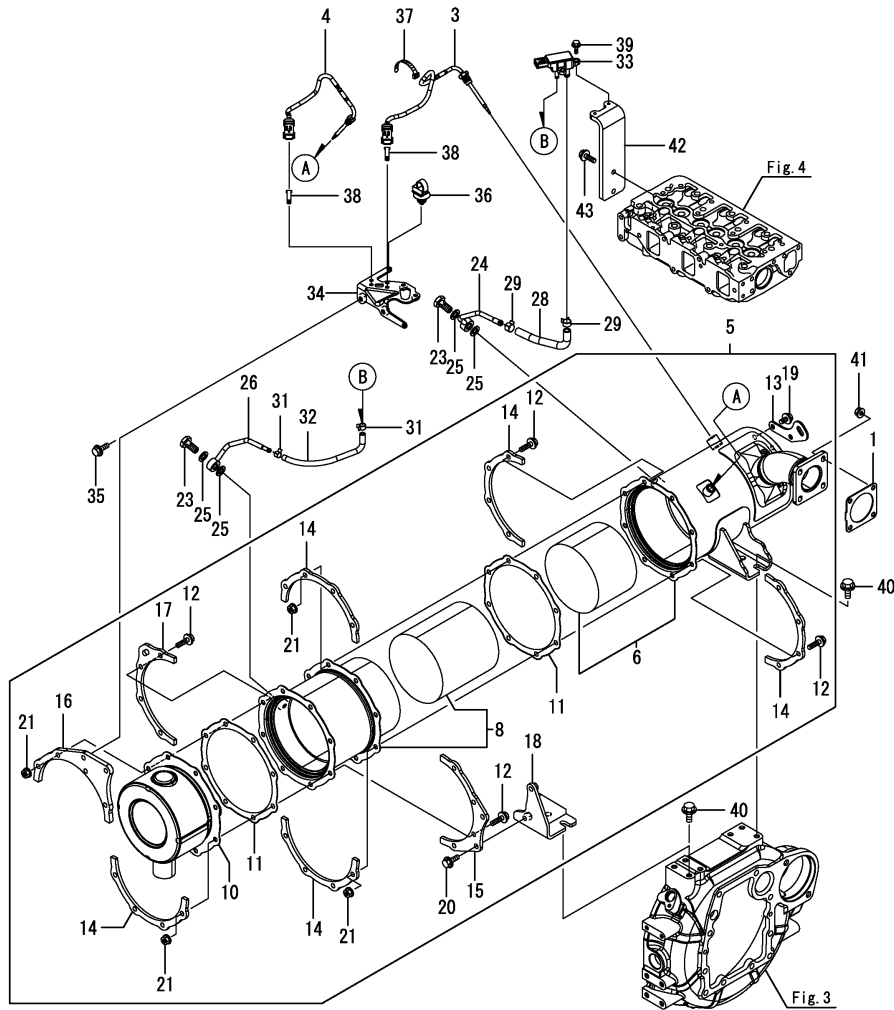
(B)=

(C)=

(D)=

(E)=

(F)=



No.	Lev.	Parts No.	Description	Q'ty						I	R
				(A)	(B)	(C)	(D)	(E)	(F)		
1	1	129930-13201	GASKET, SILENCER	1							
3	1	129C00-13860	SENSOR, ATD TEMP.DS+	1							1
4	1	129C00-13870	SENSOR, ATD TEMP.DS+	1							1
5	1	129A34-16001	DPF ASSY	1							1
6	2	129A01-16201	CASE, DOC	1							1
8	2	129C00-16400	CASE, SOOT FILTER	1							1
10	2	129A00-16500	SILENCER, DPF	1							
11	2	129A00-16600	GASKET, DPF	2							
12	2	129A00-16610	BOLT, M8X28 10.9T	16							
13	2	129C01-16690	LIFTER, DPF	1							
14	2	129A00-16700	STIFFENER, DPF A	5							
15	2	129A00-16710	STIFFENER, DPF B	1							
16	2	129A00-16730	STIFFENER, DPF C	1							
17	2	129A00-16740	STIFFENER, DPF C	1							
18	2	129C00-16801	STAY, DPF	1							
19	2	26106-080142	BOLT, M8X 14 PLATED	2							
20	2	26106-080222	BOLT, M8X 22 PLATED	2							
21	2	26306-080002	NUT, M8	16							
23	1	129A00-13350	BOLT, PIPE JOINT	2							
24	1	129A00-17300	PIPE, SENSOR	1							
25	1	129A00-17311	GASKET, SENSOR	4							
26	1	129A00-17350	PIPE, SENSOR	1							
28	1	129978-17500	HOSE, PRES EXH	1							
29	1	129A00-17520	CLIP, HOSE	2							
31	1	129A00-17570	CLIP, HOSE	2							
32	1	129C22-17610	HOSE, PRESSURE	1							
33	1	129978-17700	SENSOR, PRESSURE	1							1
34	1	129A00-17760	BRACKET, SENSOR	1							
35	1	26106-080202	BOLT, M8X 20 PLATED	2							
36	1	129A00-91200	CLIP, BAND	1							
37	1	129C00-91200	BAND	1							
38	1	129A00-91430	CLIP, CONNECTOR	2							
39	1	26106-060162	BOLT, M6X 16 PLATED	2							
40	1	26106-100202	BOLT, M10X 20 PLATED	4							
41	1	26306-080002	NUT, M8	4							
42	1	129A88-17760	BRACKET, SENSOR	1							
43	1	26106-080202	BOLT, M8X 20 PLATED	2							

Remarks

(1)When replacing this part, it is necessary to update the software of the ECU using the designated service tool. Please refer to the Service Manual for details.

Fig.8. CAMSHAFT & DRIVING GEAR

(A)=3TNV86CT-DVX

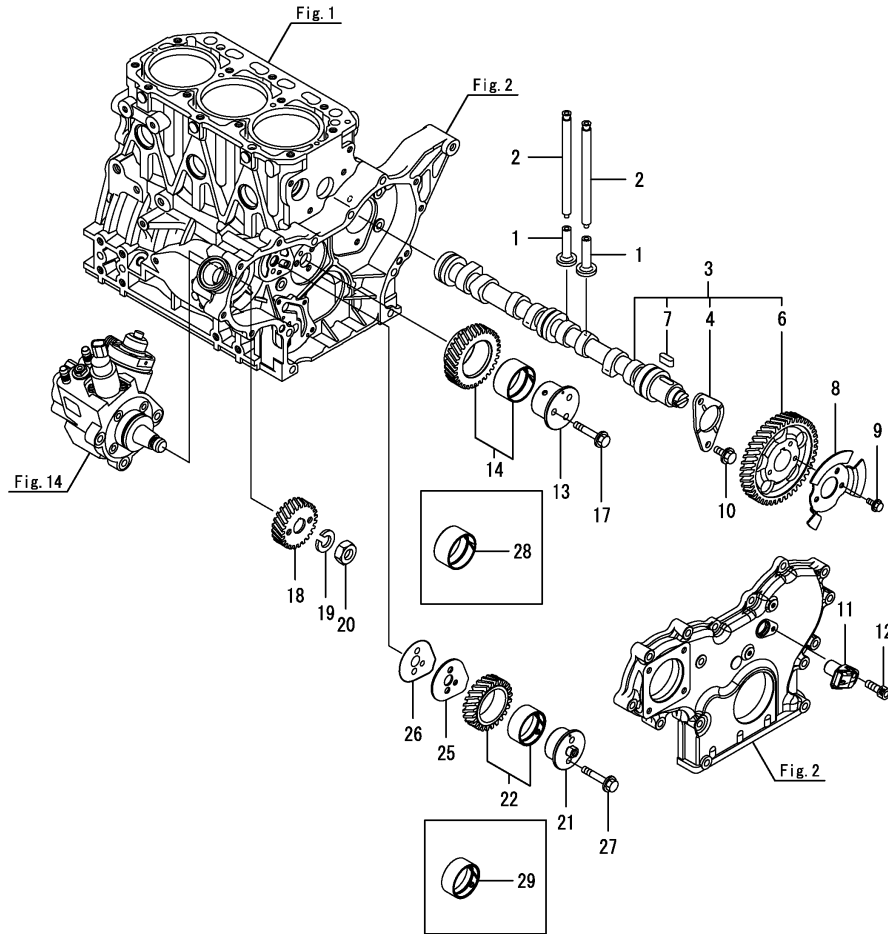
(B)=

(C)=

(D)=

(E)=

(F)=



No.	Lev.	Parts No.	Description	Q'ty						I	R
				(A)	(B)	(C)	(D)	(E)	(F)		
1	1	129150-14200	TAPPET	6							
2	1	129150-14400	ROD, PUSH L=178	6							
3	1	129A00-14580	CAMSHAFT ASSY	1							
4	2	129150-02450	METAL, THRUST	1							
6	2	129A00-14100	GEAR, CAMSHAFT	1							
7	2	22512-070140	KEY, 7X 14	1							
8	1	129A00-14700	PULSER, CAMSHAFT	1							
9	1	26106-060102	BOLT, M6X 10 PLATED	3							
10	1	26106-080142	BOLT, M8X 14 PLATED	2							
11	1	129A00-14710	SENSOR, ROTATION	1							
12	1	26450-060162	BOLT, M6X 16	1							
13	1	129A00-25050	SHAFT, IDLE GEAR A	1							
14	1	129A00-25110	GEAR ASSY, IDLE A	1							
17	1	26106-080452	BOLT, M8X 45 PLATED	3							
18	1	129A00-25900	GEAR, SUPPLY PUMP	1							
19	1	22217-180000	WASHER, SPRING 18	1							
20	1	26776-180002	NUT, LOCK M18	1							
21	1	129A00-25060	SHAFT, IDLE GEAR B	1							
22	1	129A00-25120	GEAR ASSY, IDLE B	1							
25	1	129A00-25200	PLATE, IDLE SHAFT B	1							
26	1	129A00-25210	GASKET, IDLE SHAFT B	1							
27	1	26106-080402	BOLT, M8X 40 PLATED	2							
28	1	119802-25071	BUSH, IDLE GEAR	1							1
29	1	129A00-25080	BUSH, IDLE GEAR B	1							1

Remarks

(1) Spare parts.

N:Old $\begin{matrix} \leftarrow \text{Yes} \\ \text{No} \end{matrix}$ New, Q:Old $\begin{matrix} \leftarrow \text{No} \\ \text{Yes} \end{matrix}$ New, R:Old $\begin{matrix} \leftarrow \text{Yes} \\ \text{Yes} \end{matrix}$ New, S:Old $\begin{matrix} \leftarrow \text{No} \\ \text{No} \end{matrix}$ New, W:Add, Z:Discontinued, F:Interchangeable by set, K:Q'ty Change

Fig.9. TURBINE

(A)=3TNV86CT-DVX
(B)=
(C)=

(D)=
(E)=
(F)=

No.	Lev.	Parts No.	Description	Q'ty						I	R
				(A)	(B)	(C)	(D)	(E)	(F)		
1	1	129A01-18011	TURBOCHARGER, RHF3	1							
2	1	129A01-18080	GASKET, TURBINE IN	1							
3	1	119131-18320	STUD, M8X22	4							
4	1	26306-080002	NUT, M8	3							

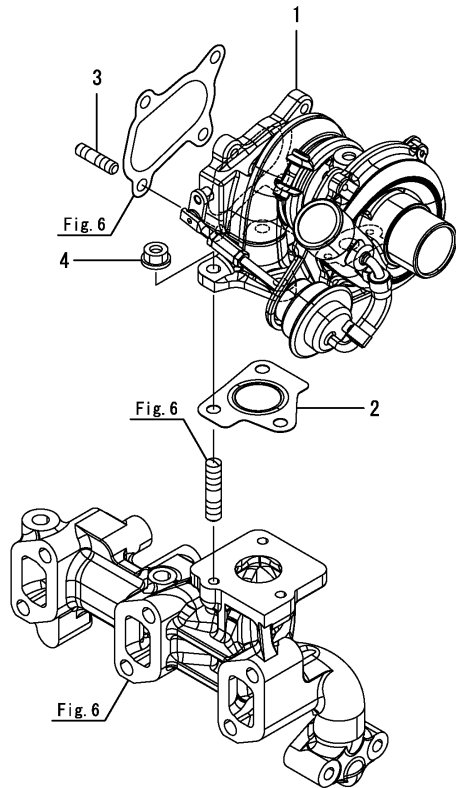


Fig.10. CRANKSHAFT & PISTON

(A)=3TNV86CT-DVX

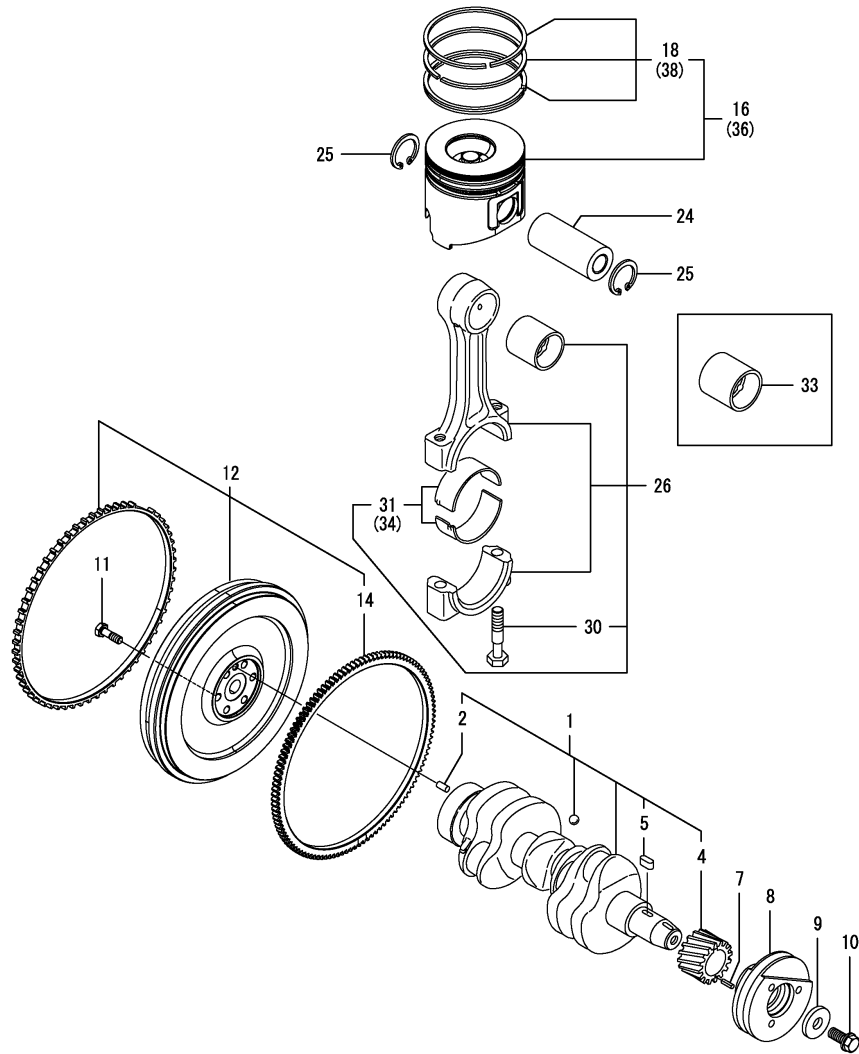
(B)=

(C)=

(D)=

(E)=

(F)=

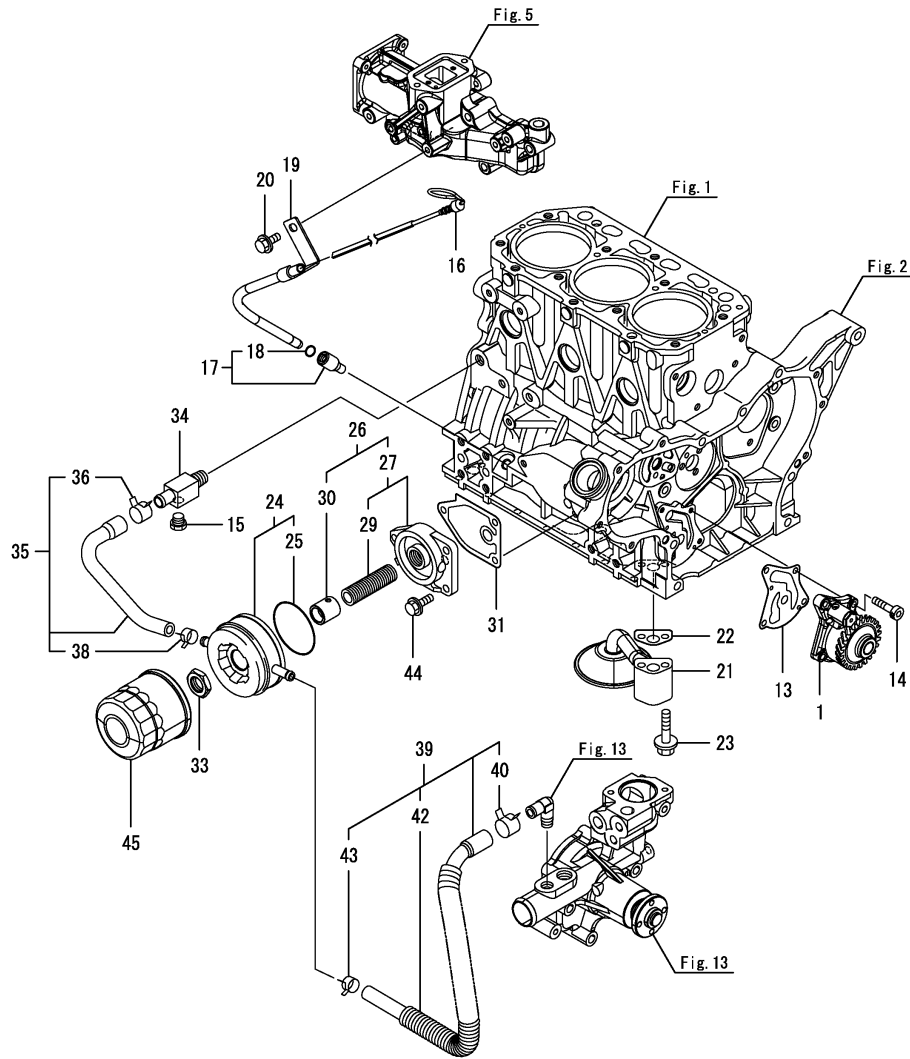


No.	Lev.	Parts No.	Description	Q'ty						I	R
				(A)	(B)	(C)	(D)	(E)	(F)		
1	1	129008-21000	CRANKSHAFT ASSY	1							
2	2	129100-01580	PIN, PARALLEL 8X16	1							
4	2	119803-21200	GEAR, CRANKSHAFT	1							
5	2	22512-070140	KEY, 7X 14	1							
7	1	22351-030010	PIN, SPRING 3.0X10	1							
8	1	129005-21650	V-PULLEY, CRANKSHAFT	1							
9	1	129795-21661	WASHER, 14	1							
10	1	121850-21680	BOLT, V-PULLEY	1							
11	1	121111-21501	BOLT, FLYWHEEL	6							
12	1	129A00-21580	FLYWHEEL ASSY	1							
14	2	119865-21600	GEAR, RING Z=116	1							
16	1	129A01-22080	PISTON ASSY	3							
18	2	129A01-22500	RING SET, PISTON	3							
24	1	129202-22300	PIN, PISTON D26 L70	3							
25	1	22252-000260	RING, 26	6							
26	1	729402-23100	ROD ASSY, CONNECTING	3							
30	2	121550-23200	BOLT, CONNECTING ROD	6							
31	2	129150-23601	METAL ASSY,CRANK PIN	3							
33	1	129100-23910	METAL, PISTON PIN	3							1
34	1	129150-23611	METAL, CRANK PIN .25	3							2
36	1	129A01-22900	PISTON ASSY, 0.25 OS	3							3
38	2	129A01-22950	RING SET, PISTON .25	3							3

Remarks

- (1) Spare parts.
- (2) Under-sized (U.S.=0.25) parts.
- (3) Over-sized (O.S.=0.25) parts.

Fig.11. LUB. OIL SYSTEM



(A)=3TNV86CT-DVX
(B)=
(C)=

(D)=
(E)=
(F)=

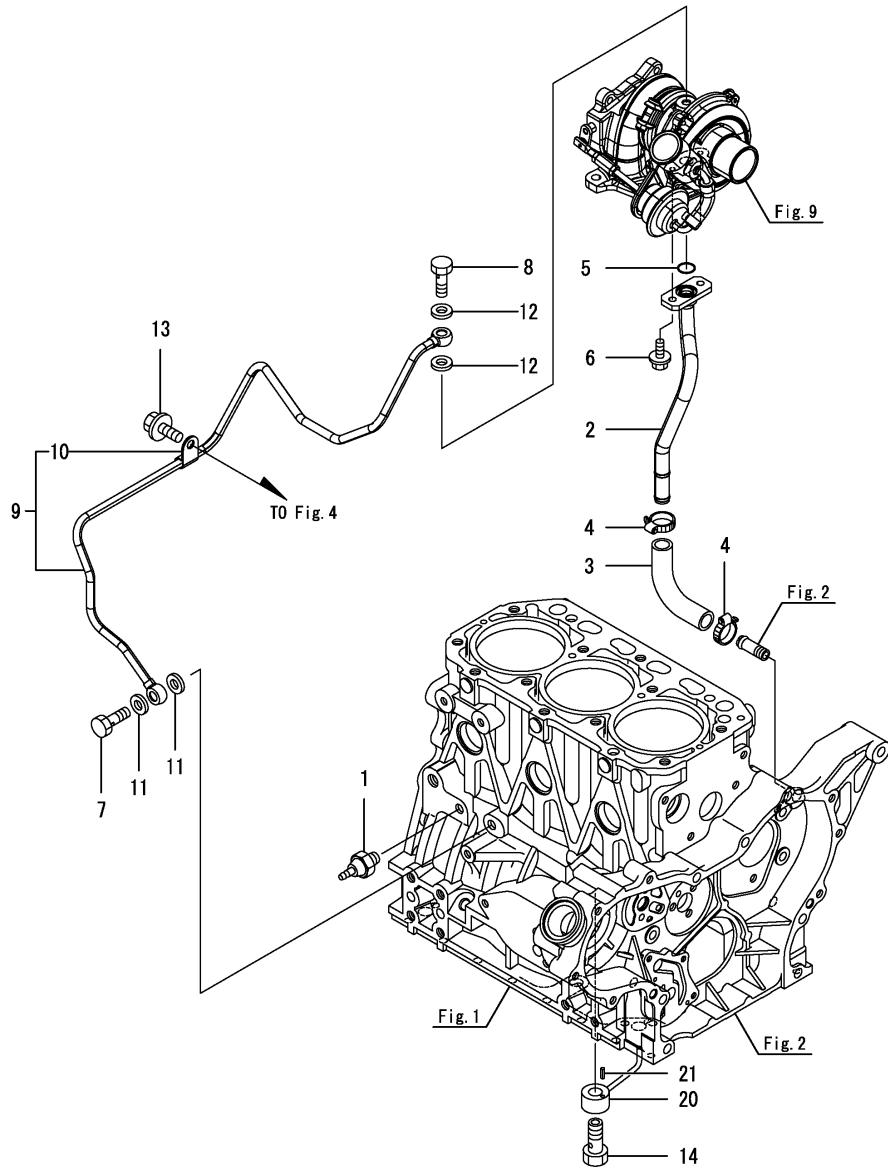
No.	Lev.	Parts No.	Description	Q'ty						I	R
				(A)	(B)	(C)	(D)	(E)	(F)		
1	1	129A01-32000	PUMP ASSY, OIL	1							
13	1	129486-32020	GASKET, PUMP	1							
14	1	26450-060252	BOLT, M6X 25	4							
15	1	171056-49120	PLUG, DRAIN R1/4	1							
16	1	129602-34801	DIPSTICK, OIL	1							
17	1	119260-34810	GUIDE, DIPSTICK	1							
18	2	24316-240100	O-RING, 4DP10A	1							
19	1	129A00-34870	GUIDE, DIPSTICK	1							
20	1	26106-080162	BOLT, M8X 16 PLATED	1							
21	1	129C61-35000	PIPE ASSY, OIL INLET	1							
22	1	129150-35042	GASKET, INLET PIPE	1							
23	1	26106-080552	BOLT, M8X 55 PLATED	2							
24	1	129508-33031	COOLER ASSY, OIL	1							
25	2	129508-33060	GASKET, COOLER	1							
26	1	129508-35100	BRACKET ASSY, LO FILT	1							
27	2	129006-35100	BRACKET ASSY, FILTER	1							
29	3	129417-35150	STUD, M20X67	1							
30	2	129508-35150	COLLAR, OIL-COOLER	1							
31	1	129150-35111	GASKET, BRACKET	1							
33	1	124085-35350	NUT, M20	1							
34	1	129006-44480	JOINT, R02	1							
35	1	129508-49030	HOSE ASSY, COOLER IN	1							
36	2	171008-03990	CLAMP, HOSE 18.5	1							
38	2	23080-015000	CLAMP, 15	1							
39	1	129006-49040	HOSE ASSY, COOLER OUT	1							
40	2	171008-03990	CLAMP, HOSE 18.5	1							
42	2	129642-49180	TUBE, CORRUGATED 19	1							
43	2	23080-015000	CLAMP, 15	1							
44	1	26106-080202	BOLT, M8X 20 PLATED	3							
45	1	129150-35153	FILTER ASSY, D80X80L	1							1

Remarks

(1) Spare parts.

N:Old $\begin{matrix} \leftarrow \text{Yes} \\ \text{No} \end{matrix}$ New, Q:Old $\begin{matrix} \leftarrow \text{No} \\ \text{Yes} \end{matrix}$ New, R:Old $\begin{matrix} \leftarrow \text{Yes} \\ \text{Yes} \end{matrix}$ New, S:Old $\begin{matrix} \leftarrow \text{No} \\ \text{No} \end{matrix}$ New, W:Add, Z:Discontinued, F:Interchangeable by set, K:Q'ty Change

Fig.12. LUB. OIL PIPE



(A)=3TNV86CT-DVX
(B)=
(C)=

(D)=
(E)=
(F)=

No.	Lev.	Parts No.	Description	Q'ty						I	R
				(A)	(B)	(C)	(D)	(E)	(F)		
1	1	114250-39450	SWITCH, HYDRAULIC	1							
2	1	129A01-39600	PIPE, OIL RETURN	1							
3	1	129266-39620	JOINT, OIL PIPE	1							
4	1	23000-022000	CLAMP, 22	2							
5	1	24316-000160	O-RING, 4DP16.0	1							
6	1	26106-060162	BOLT, M6X 16 PLATED	2							
7	1	124160-39140	BOLT, PIPE JOINT M10	1							
8	1	121252-39150	BOLT, JOINT M10X1.5	1							
9	1	129A01-39460	PIPE ASSY, OIL	1							
10	2	124223-39900	RETAINER	1							
11	1	22190-100002	WASHER, SEAL 10	2							
12	1	23414-100000	GASKET, 10X1.0	2							
13	1	26106-080122	BOLT, M8X 12 PLATED	1							
14	1	129792-39410	VALVE ASSY, CHECK	3							
20	1	129553-39650	NOZZLE, COOLING	3							
21	1	22351-030010	PIN, SPRING 3.0X10	3							

Fig.13. COOLING WATER SYSTEM

(A)=3TNV86CT-DVX

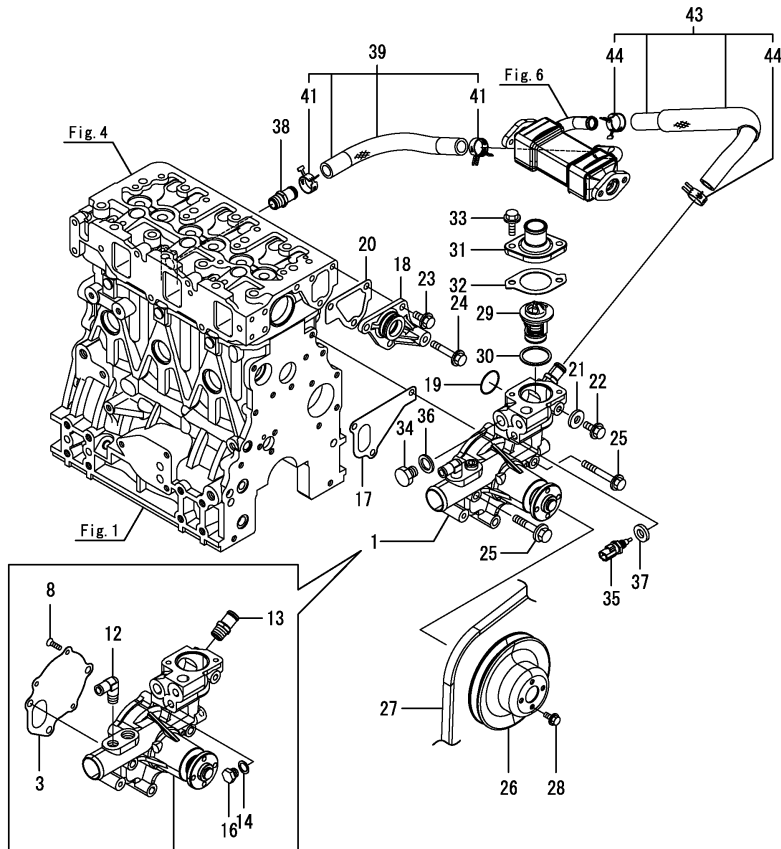
(B)=

(C)=

(D)=

(E)=

(F)=



No.	Lev.	Parts No.	Description	Q'ty						I	R
				(A)	(B)	(C)	(D)	(E)	(F)		
1	1	129A34-42010	PUMP ASSY, CW	1							
3	3	129100-42051	GASKET, WATER PUMP	1							
8	3	129150-42290	SCREW, FLAT M6X15	3							
12	2	129103-49301	ELBOW, PT1/4	1							
13	2	129928-49420	JOINT	1							
14	2	23414-120000	GASKET, 12X1.0	1							
16	2	23887-120002	PLUG, 12	1							
17	1	129486-42021	GASKET, WATER PUMP	1							
18	1	129004-42040	JOINT, WATER PIPE	1							
19	1	129486-42140	O-RING, G30	1							
20	1	124395-49840	GASKET, THERMOSTAT	1							
21	1	23414-080000	GASKET, 8X1.0	1							
22	1	26106-080122	BOLT, M8X 12 PLATED	1							
23	1	26106-080162	BOLT, M8X 16 PLATED	3							
24	1	26106-080452	BOLT, M8X 45 PLATED	1							
25	1	26106-080602	BOLT, M8X 60 PLATED	3							
26	1	129120-42351	V-PULLEY, PUMP	1							
27	1	25152-003900	V-BELT, A39	1							
28	1	26106-060122	BOLT, M6X 12 PLATED	4							
29	1	129155-49801	THERMOSTAT, 71C	1							
30	1	129150-49811	GASKET, THERMOSTAT	1							
31	1	129350-49530	COVER, THERMOSTAT	1							
32	1	129795-49551	GASKET, COVER	1							
33	1	26106-080222	BOLT, M8X 22 PLATED	2							
34	1	121450-42450	PLUG, M16	1							
35	1	129927-44900	SENSOR, TEMPERATURE	1							1
36	1	124465-44950	GASKET, 16	1							
37	1	22190-120002	WASHER, SEAL 12	1							
38	1	129928-49420	JOINT	1							
39	1	129A00-49610	PIPE ASSY, EGR-C IN	1							
41	2	129960-03990	CLAMP, HOSE 19.8	2							
43	1	129A00-49620	PIPE ASSY, WATER	1							
44	2	129960-03990	CLAMP, HOSE 19.8	2							

Remarks

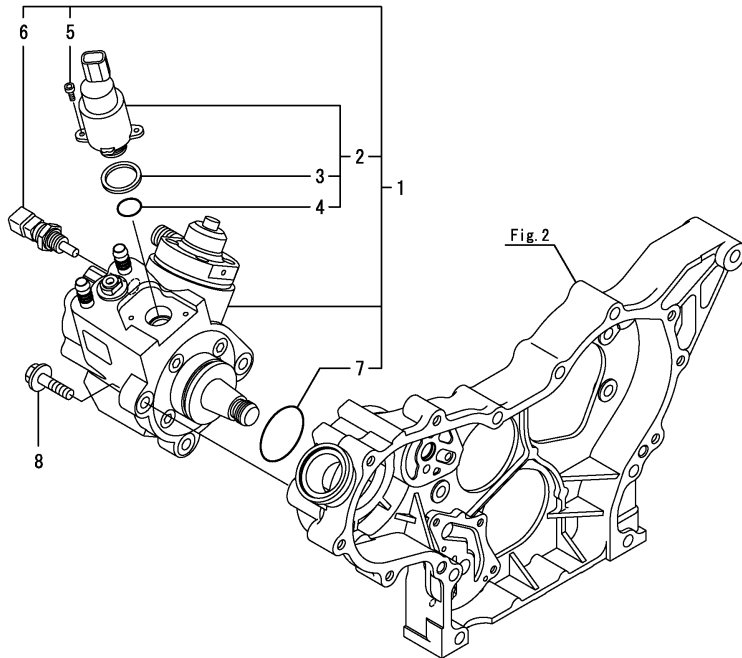
(1)When replacing this part, it is necessary to update the software of the ECU using the designated service tool. Please refer to the Service Manual for details.

Fig.14. FUEL SUPPLY PUMP

(A)=3TNV86CT-DVX
(B)=
(C)=

(D)=
(E)=
(F)=

No.	Lev.	Parts No.	Description	Q'ty						I	R
				(A)	(B)	(C)	(D)	(E)	(F)		
1	1	129C28-51000	PUMP ASSY, FUEL	1							1
2	2	129A00-51100	VALVE ASSY	1							1
3	3	129A00-51110	RING, SEAL	1							
4	3	129A00-51120	O-RING, MPROP	1							
5	2	129A00-51130	BOLT, MPROP	2							
6	2	129A00-51200	SENSOR, TEMPERATURE	1							1
7	2	129A00-51900	O-RING, FUEL PUMP	1							
8	1	26106-080302	BOLT, M8X 30 PLATED	3							



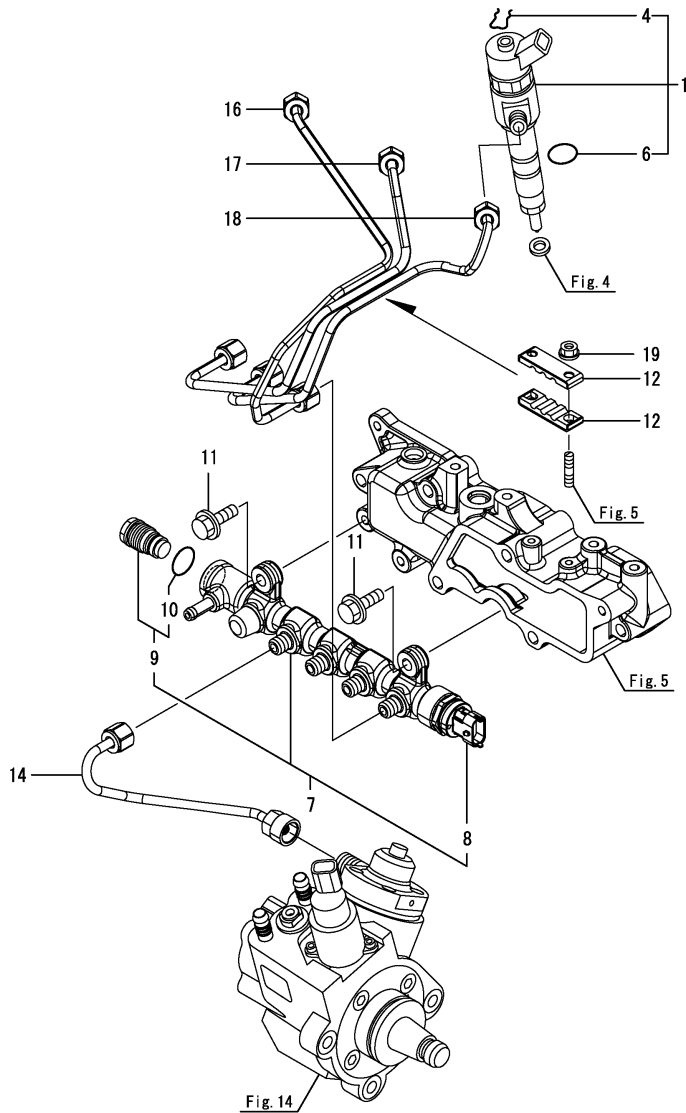
Remarks

(1)When replacing this part, it is necessary to update the software of the ECU using the designated service tool. Please refer to the Service Manual for details.

Fig.15. FUEL INJECTION VALVE

(A)=3TNV86CT-DVX
(B)=
(C)=

(D)=
(E)=
(F)=



No.	Lev.	Parts No.	Description	Q'ty						I	R
				(A)	(B)	(C)	(D)	(E)	(F)		
1	1	129A01-53100	INJECTOR, CR	3							1
4	2	129A00-53200	RING, RETAINING	3							
6	2	129C28-53300	O-RING	3							
7	1	129A00-57000	COMMON RAIL ASSY	1							1
8	2	129A00-57100	SENSOR, PRESSURE	1							1
9	2	129A00-57200	VALVE ASSY, PLV4	1							1
10	3	129A00-57210	O-RING, PLV4	1							
11	1	26106-080252	BOLT, M8X 25 PLATED	2							
12	1	123372-59100	RETAINER, PIPE	2							
14	1	129A00-59700	PIPE ASSY, RAIL IN	1							
16	1	129A00-59810	PIPE ASSY, INJECTION	1							
17	1	129A00-59820	PIPE ASSY, INJECTION	1							
18	1	129A00-59830	PIPE ASSY, INJECTION	1							
19	1	26366-060002	NUT, M6	2							

Remarks

(1)When replacing this part, it is necessary to update the software of the ECU using the designated service tool. Please refer to the Service Manual for details.

Fig.16. FUEL PIPE

(A)=3TNV86CT-DVX

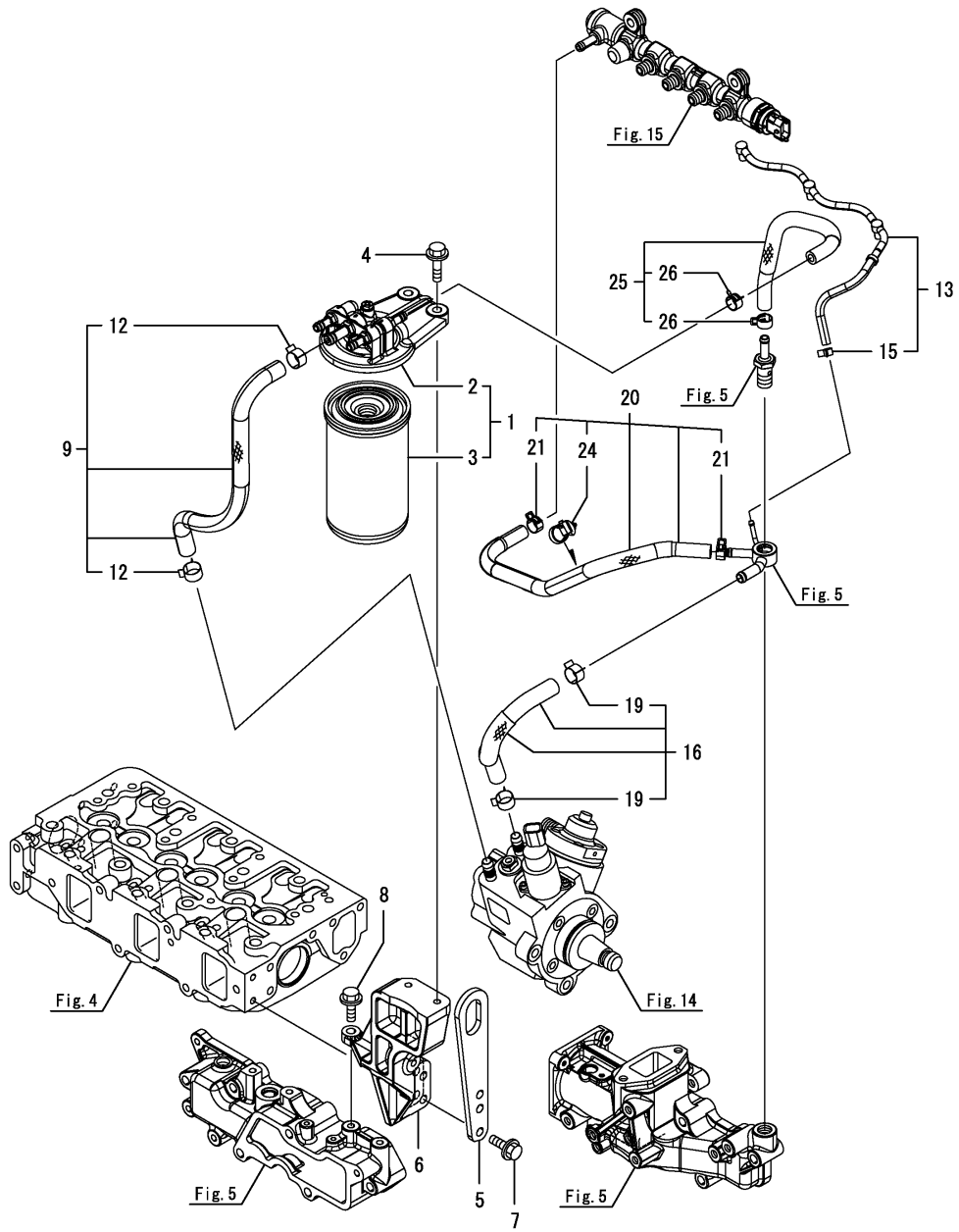
(B)=

(C)=

(D)=

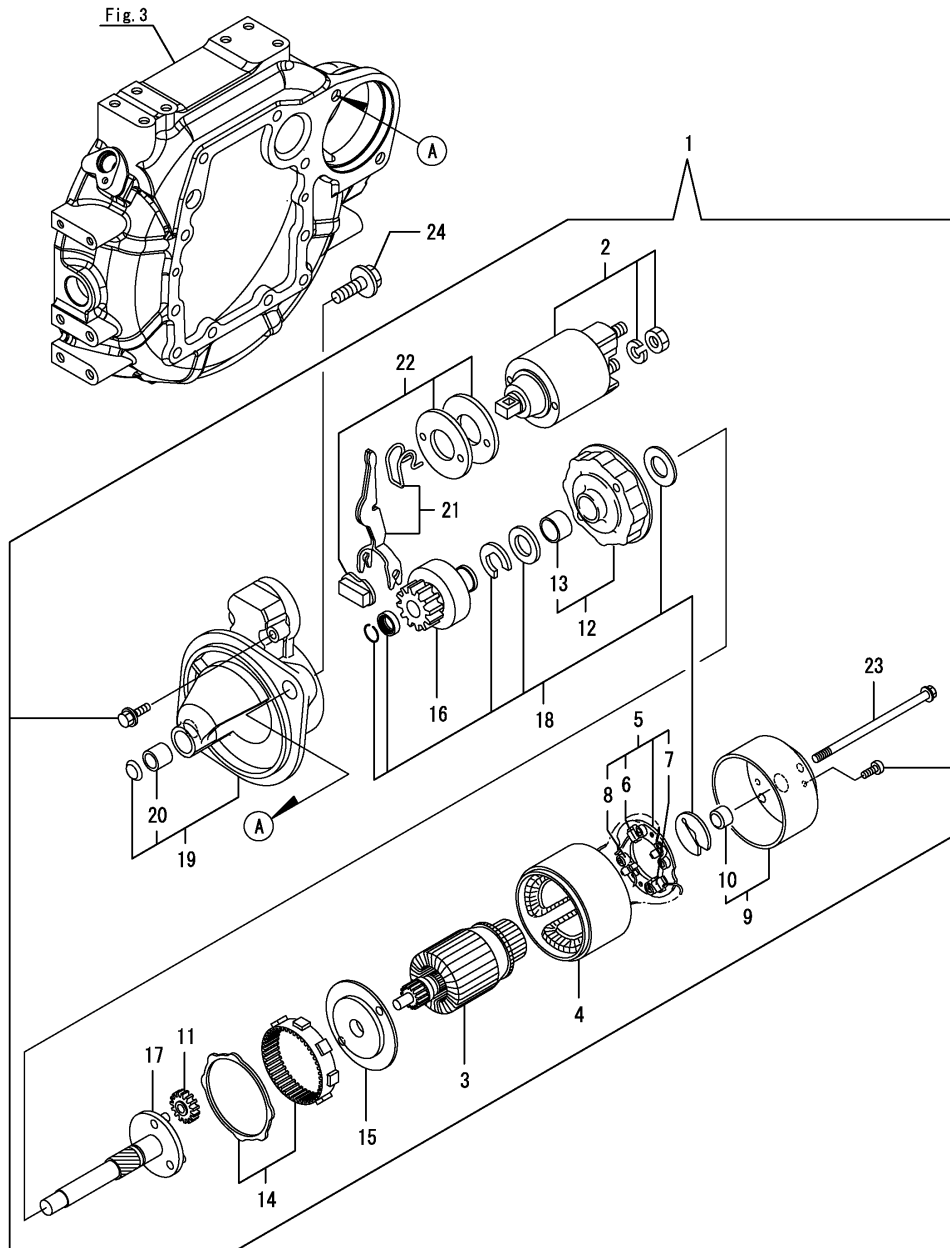
(E)=

(F)=



No.	Lev.	Parts No.	Description	Q'ty						I	R
				(A)	(B)	(C)	(D)	(E)	(F)		
1	1	129A00-55600	FILTER ASSY, FUEL	1							
2	2	129A00-55610	BRACKET ASSY, FILTER	1							
3	2	129A00-55800	FILTER, FUEL	1							
4	1	26106-080302	BOLT, M8X 30 PLATED	2							
5	1	129900-07900	LIFTER, ENGINE	1							
6	1	129A00-55650	BRACKET, FILTER	1							
7	1	26106-080252	BOLT, M8X 25 PLATED	2							
8	1	26106-080252	BOLT, M8X 25 PLATED	1							
9	1	129A00-59010	PIPE ASSY, FUEL	1							
12	2	23080-015000	CLAMP, 15	2							
13	1	129A23-59500	PIPE ASSY, RETURN	1							
15	2	23080-007000	CLAMP, 7	1							
16	1	129A00-59020	PIPE ASSY, RETURN	1							
19	2	23080-015000	CLAMP, 15	2							
20	1	129A00-59030	PIPE ASSY, RETURN	1							
21	2	114270-59010	CLAMP, HOSE 12	2							
24	2	129A00-91200	CLIP, BAND	1							
25	1	129A00-59040	PIPE ASSY, RETURN	1							
26	2	114270-59010	CLAMP, HOSE 12	2							

Fig.17. STARTER MOTOR



(A)=3TNV86CT-DVX

(B)=

(C)=

(D)=

(E)=

(F)=

No.	Lev.	Parts No.	Description	Q'ty						I	R
				(A)	(B)	(C)	(D)	(E)	(F)		
1	1	129242-77010	STARTER, 1.7	1							
2	2	129698-77020	SWITCH ASSY, MAGNET	1							
3	2	129242-77100	ARMATURE ASSY	1							
4	2	129242-77110	YOKE ASSY	1							
5	2	129242-77120	HOLDER ASSY, BRUSH	1							
6	3	129242-77130	BRUSH, -	2							
7	3	129242-77140	BRUSH SET	1							
8	3	129242-77150	SPRING, BRUSH	4							
9	2	129242-77160	COVER ASSY, STARTER	1							
10	3	129242-77170	METAL, REAR COVER	1							
11	2	118400-77170	GEAR, PLANETARY	3							
12	2	129242-77180	BRACKET, CENTER P	1							
13	3	129698-77190	BRACKET, CENTER	1							
14	2	129698-77200	GEAR, INTERNAL	1							
15	2	129242-77210	BRACKET, CENTER A	1							
16	2	129698-77220	PINION ASSY	1							
17	2	129698-77230	SHAFT, PINION	1							
18	2	129698-77250	WASHER SET	1							
19	2	129242-77260	CASE ASSY, GEAR	1							
20	3	X2114535200	METAL, STARTER	1							
21	2	129242-77270	LEVER SET, SHIFT	1							
22	2	129242-77280	COVER KIT, DUST	1							
23	2	124195-77770	BOLT, THROUGH	2							
24	1	26106-120252	BOLT, M12X 25 PLATED	2							

Fig.18. GENERATOR

(A)=3TNV86CT-DVX

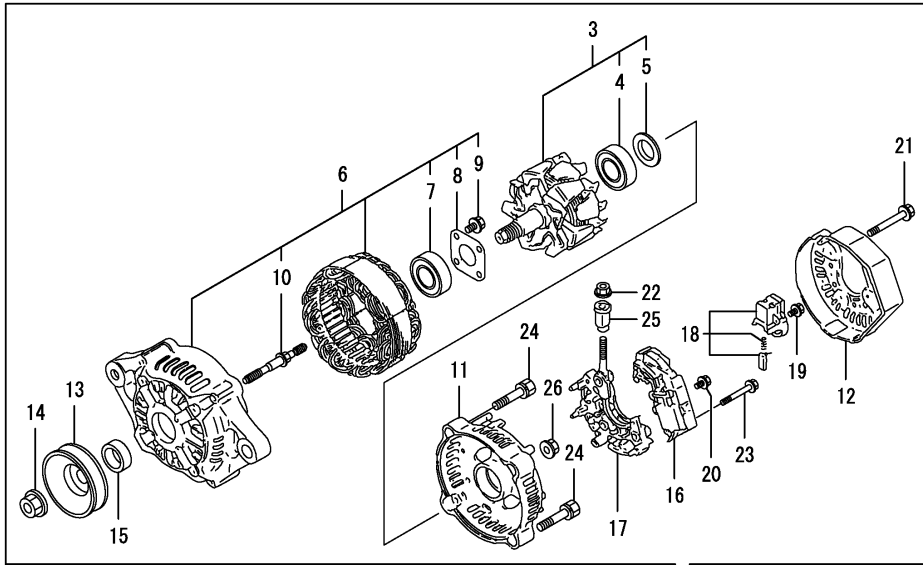
(B)=

(C)=

(D)=

(E)=

(F)=



No.	Lev.	Parts No.	Description	Q'ty						I	R
				(A)	(B)	(C)	(D)	(E)	(F)		
1	1	129795-01900	BOLT, M10X33	1							
2	1	119626-77220	ALTERNATOR, 12V-55A	1							
3	2	129052-77380	ROTOR ASSY	1							
4	3	123501-79240	BEARING, BALL	1							
5	3	119620-79250	COVER, BEARING	1							
6	2	129052-77422	FRAME ASSY	1							
7	3	119620-79200	BEARING, BALL	1							
8	3	119620-79210	PLATE, RETAINER	1							
9	3	119620-79220	SCREW	4							
10	3	119620-79230	STUD	2							
11	2	128401-77440	COVER, END	1							
12	2	119626-77450	COVER, END	1							
13	2	119620-77461	PULLEY, GENERATOR	1							
14	2	119620-77471	NUT	1							
15	2	119620-77490	COLLAR	1							
16	2	129423-77730	REGULATOR ASSY	1							
17	2	129052-79260	HOLDER ASSY	1							
18	2	129052-79270	HOLDER ASSY, BRUSH	1							
19	2	119620-79290	SCREW	6							
20	2	119620-79300	SCREW	1							
21	2	119620-79310	BOLT	3							
22	2	129240-79310	NUT	1							
23	2	119620-79320	SCREW, W/WASHER	2							
24	2	119620-79330	BOLT	2							
25	2	119620-79340	BUSH, INSULATION	1							
26	2	119620-79350	NUT	2							
27	1	26306-100002	NUT, M10	1							
28	1	119940-77270	SPACER, GENERATOR	1							
29	1	119802-77330	ADJUSTER, BELT	1							
30	1	119802-77340	BOLT, ADJUSTER L=40	1							
31	1	26106-080452	BOLT, M8X 45 PLATED	1							

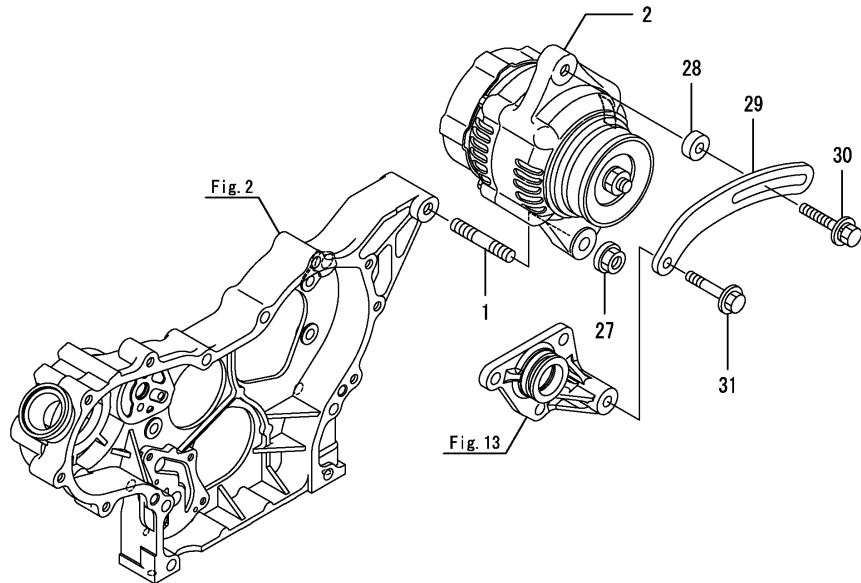
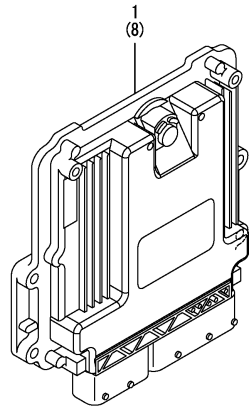


Fig.19. ELECTRONIC CONTROL UNIT(ECU)

(A)=3TNV86CT-DVX
(B)=
(C)=

(D)=
(E)=
(F)=

No.	Lev.	Parts No.	Description	Q'ty						I	R
				(A)	(B)	(C)	(D)	(E)	(F)		
1	1	129A34-75010	ECU ASSY,3-86CT-DVX	1							1
8	1	129A00-75910	ECU ASSY,SERVICE YMR	1							2



Remarks

(1)Eco ECU

This part cannot be ordered.

Replace the part using a Service ECU with the proper engine information installed.

(2)Service ECU

When replacing this part, it is necessary to update the software of the ECU using the designated service tool.

Please refer to the Service Manual for details.

Fig.20. ELECTRIC PARTS

(A)=3TNV86CT-DVX

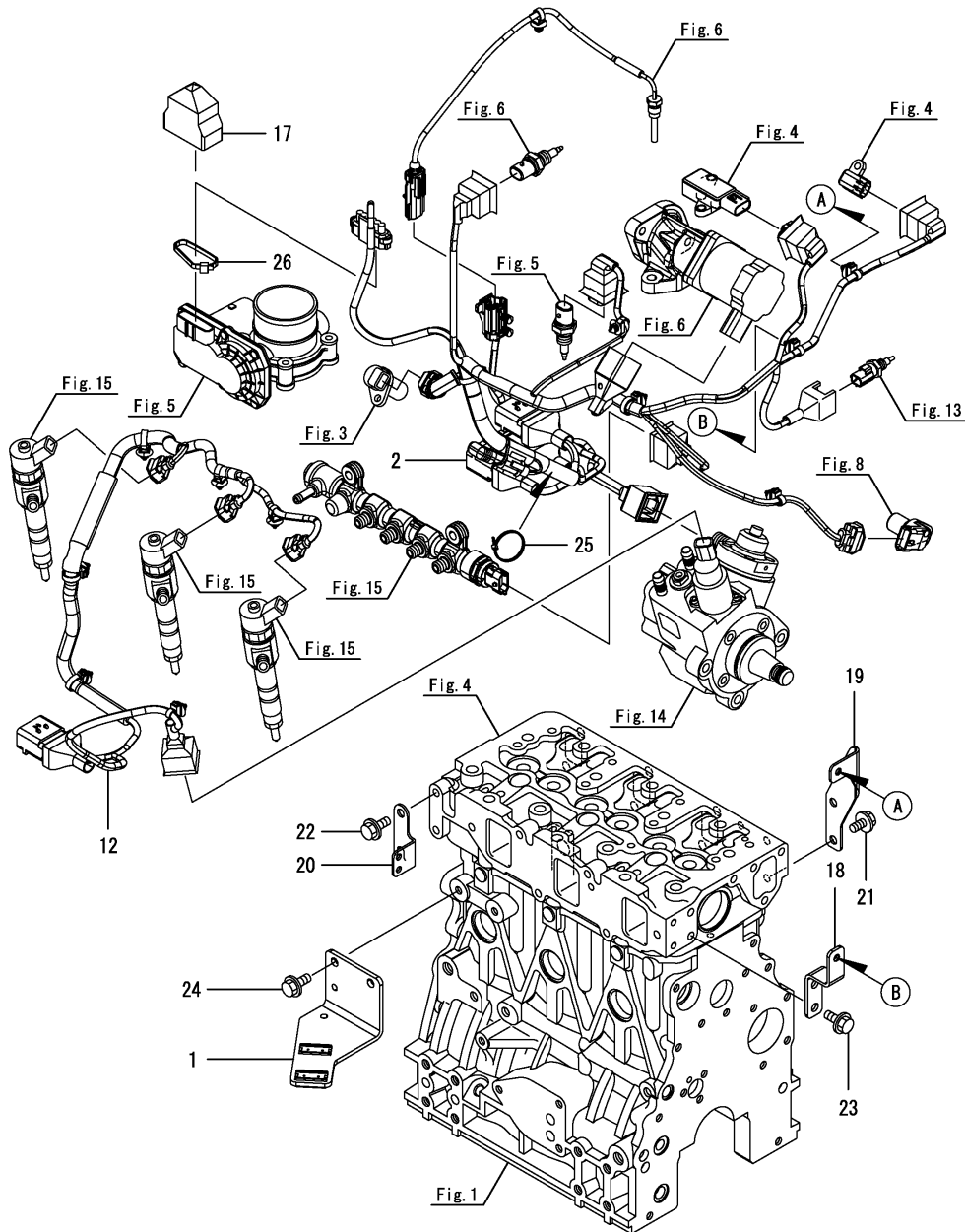
(B)=

(C)=

(D)=

(E)=

(F)=



No.	Lev.	Parts No.	Description	Q'ty						I	R
				(A)	(B)	(C)	(D)	(E)	(F)		
1	1	129A24-77940	BRACKET, CONNECTOR	1							
2	1	129A01-91222	HARNESS, B T4	1							
12	1	129A00-91231	HARNESS, C T4	1							
17	1	129A00-91451	BOOT, CAP TYPE	1							
18	1	129A01-91500	BRACKET, HARNESS	1							
19	1	129A01-91510	BRACKET, HARNESS	1							
20	1	129A00-91600	BRACKET, HARNESS	1							
21	1	26106-080122	BOLT, M8X 12 PLATED	2							
22	1	26106-080122	BOLT, M8X 12 PLATED	2							
23	1	26106-080122	BOLT, M8X 12 PLATED	2							
24	1	26106-080142	BOLT, M8X 14 PLATED	2							
25	1	29621-100000	BAND, TR100	1							
26	1	29621-200000	BAND	1							

Fig.21. ACCESSORY

(A)=3TNV86CT-DVX

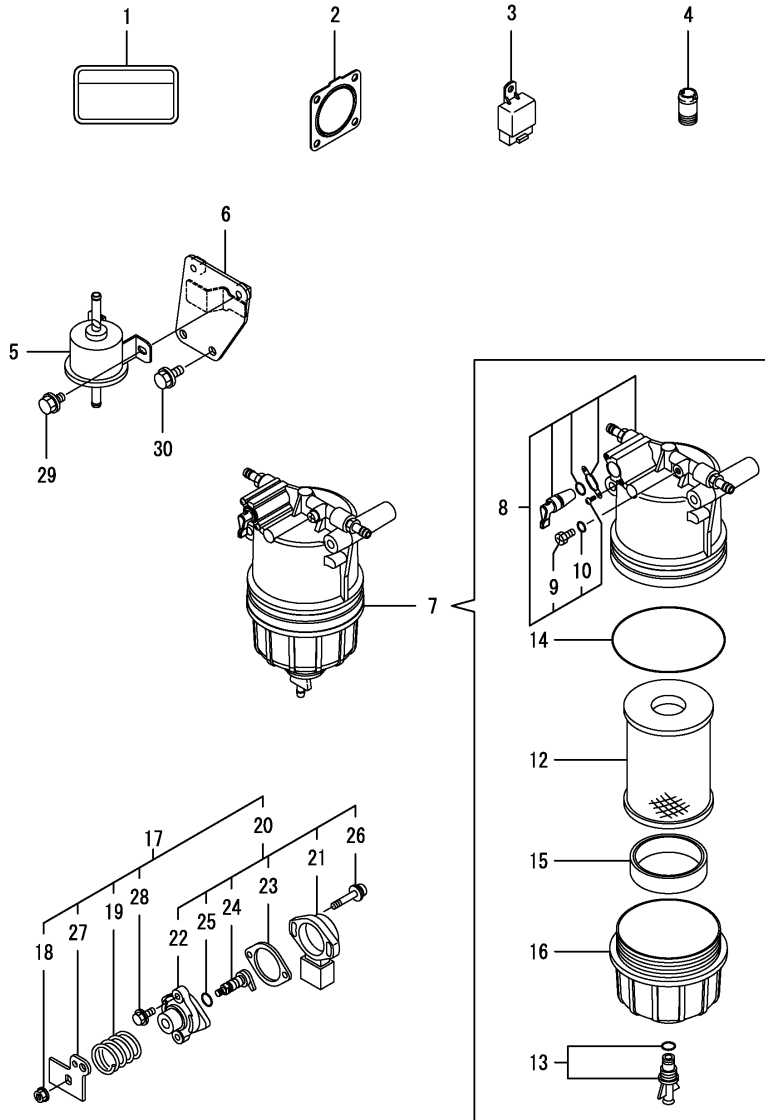
(B)=

(C)=

(D)=

(E)=

(F)=



No.	Lev.	Parts No.	Description	Q'ty						I	R
				(A)	(B)	(C)	(D)	(E)	(F)		
1	1	114110-07761	LABEL, FUEL CAUTION	1							
2	1	129930-13201	GASKET, SILENCER	1							
3	1	172B02-17150	RELAY, CA TYPE C	1							
4	1	121575-49300	JOINT, PIPE PT3/8	1							
5	1	119225-52102	PUMP, FUEL FEED	1							
6	1	129612-52110	BRACKET, PUMP	1							
7	1	129C35-55720	FILTER ASSY,FUEL PRE	1							
8	2	129A00-55710	BODY ASSY	1							
9	3	129A00-55751	PLUG, AIR VENT	1							
10	3	129A00-55760	O-RING	1							
12	2	129A00-55730	ELEMENT, FUEL FILTER	1							
13	2	129242-55740	PLUG, DRAIN	1							
14	2	129A00-55740	O-RING	1							
15	2	129A00-55770	FLOAT	1							
16	2	129A00-55790	CUP, CLEAR	1							
17	1	129938-77800	SENSOR ASSY, ACCEL.	1							
18	2	194990-22130	NUT, M6	1							
19	2	119060-61990	SPRING, RETURN	1							
20	2	129054-77800	SENSOR ASSY, ACCEL.	1							
21	3	185100-50070	SENSOR, ACCELERATOR	1							
22	3	129054-77811	SUPPORT, SENSOR	1							
23	3	129054-77820	GASKET, SUPPORT	1							
24	3	129054-77830	SHAFT ASSY, SENSOR	1							
25	3	24311-000070	O-RING, 1AP7.0	1							
26	3	26023-040202	SCREW, M4X20	2							
27	2	129938-77810	LEVER, SENSOR	1							
28	2	26106-060122	BOLT, M6X 12 PLATED	2							
29	1	26106-060122	BOLT, M6X 12 PLATED	2							
30	1	26106-080142	BOLT, M8X 14 PLATED	2							

Parts No. Index

Parts No.	Fig. No.	Ref. No.
114110-07761	21	1
114250-39450	12	1
114270-59010	16	21
		26
118400-77170	17	11
119060-61990	21	19
119131-18320	6	24
	9	3
119225-52102	21	5
119260-34810	11	17
119609-32040	2	5
119620-01750	3	3
119620-77461	18	13
119620-77471	18	14
119620-77490	18	15
119620-79200	18	7
119620-79210	18	8
119620-79220	18	9
119620-79230	18	10
119620-79250	18	5
119620-79290	18	19
119620-79300	18	20
119620-79310	18	21
119620-79320	18	23
119620-79330	18	24
119620-79340	18	25
119620-79350	18	26
119624-32040	2	6
119626-77220	18	2
119626-77450	18	12
119640-01640	3	7
119640-61400	4	55
119802-11260	4	4
119802-11270	4	5
119802-11280	4	6
119802-25071	8	28
119802-77330	18	29
119802-77340	18	30
119803-21200	10	4
119803-77830	4	81
119865-21600	10	14
119934-01800	2	12
119940-77270	18	28
120130-11860	4	82
120270-54410	4	32
121111-21501	10	11
121252-39150	12	8
121450-42450	13	34
121550-23200	10	30
121575-49300	21	4

Parts No.	Fig. No.	Ref. No.
121850-21680	10	10
123372-59100	15	12
123501-79240	18	4
123907-03100	4	42
123907-03110	4	43
123907-03120	4	44
123907-03140	4	45
124060-01050	1	11
124085-35350	11	33
124160-01751	2	3
	4	37
124160-01910	1	12
		13
124160-11360	4	38
124160-39140	12	7
124195-77770	17	23
124223-39900	12	10
124240-01871	2	13
124395-49840	13	20
124460-11340	4	26
124465-44950	13	36
128401-77440	18	11
129001-01250	1	4
129001-02931	1	29
129004-03010	4	40
129004-11241	4	1
129004-11251	4	2
129004-11650	4	8
129004-42040	13	18
129005-11100	4	22
129005-21650	10	8
129006-35100	11	27
129006-44480	11	34
129006-49040	11	39
129008-21000	10	1
129008-77800	4	79
129009-11340	4	49
129052-77380	18	3
129052-77422	18	6
129052-79260	18	17
129052-79270	18	18
129054-77800	21	20
129054-77811	21	22
129054-77820	21	23
129054-77830	21	24
129100-01580	2	2
	3	1
		15
	10	2
129100-01730	3	10

Parts No.	Fig. No.	Ref. No.
129100-11130	4	24
129100-23910	10	33
129100-42051	13	3
129103-49301	13	12
129120-42351	13	26
129121-01540	3	6
129122-44480	2	7
129150-01200	1	27
129150-02020	1	6
129150-02450	8	4
129150-02871	1	32
129150-02931	1	24
129150-02941	1	35
129150-03070	4	41
129150-11230	4	9
129150-11280	4	7
129150-11370	4	12
129150-11750	4	11
129150-11810	4	83
129150-14200	8	1
129150-14400	8	2
129150-23601	10	31
129150-23611	10	34
129150-35042	11	22
129150-35111	11	31
129150-35153	11	45
129150-42290	13	8
129150-49811	13	30
129155-49801	13	29
129202-22300	10	24
129240-79310	18	22
129242-55740	21	13
129242-77010	17	1
129242-77100	17	3
129242-77110	17	4
129242-77120	17	5
129242-77130	17	6
129242-77140	17	7
129242-77150	17	8
129242-77160	17	9
129242-77170	17	10
129242-77180	17	12
129242-77210	17	15
129242-77260	17	19
129242-77270	17	21
129242-77280	17	22
129266-39620	12	3
129350-49530	13	31
129410-03990	4	71
129417-35150	11	29

Parts No.	Fig. No.	Ref. No.
129418-18320	6	7
		19
129423-77730	18	16
129486-01670	3	19
129486-32020	11	13
129486-42021	13	17
129486-42140	13	19
129508-33031	11	24
129508-33060	11	25
129508-35100	11	26
129508-35150	11	30
129508-49030	11	35
129553-39650	12	20
129602-34801	11	16
129612-52110	21	6
129642-49180	11	42
129648-01600	3	16
129648-01780	3	18
129698-77020	17	2
129698-77190	17	13
129698-77200	17	14
129698-77220	17	16
129698-77230	17	17
129698-77250	17	18
129792-39410	12	14
129795-01900	18	1
129795-01950	2	4
129795-02412	1	9
129795-11120	4	23
129795-11180	4	25
129795-21661	10	9
129795-49551	13	32
129900-07900	16	5
129927-13810	6	28
129927-44900	13	35
129928-49420	13	13
		38
129930-13201	7	1
	21	2
129938-77800	21	17
129938-77810	21	27
129944-07910	4	63
129960-03990	13	41
		44
129978-11871	4	30
129978-12700	4	50
129978-17500	7	28
129978-17700	7	33
129A00-01550	2	10
129A00-01602	3	2

Parts No. Index

Parts No.	Fig. No.	Ref. No.
129A00-11310	4	47
129A00-11330	4	48
129A00-11340	4	27
129A00-11900	4	31
129A00-12110	5	1
129A00-12711	4	74
129A00-12721	5	5
129A00-12780	4	51
129A00-12790	4	75
129A00-12810	5	14
129A00-12820	5	29
129A00-12900	5	30
129A00-12910	5	31
129A00-13110	6	2
129A00-13300	6	8
129A00-13350	6	10
	7	23
129A00-13360	4	52
129A00-13380	4	54
129A00-13400	6	13
129A00-13410	6	14
129A00-13710	5	23
129A00-13720	5	24
129A00-13752	6	26
129A00-13800	6	27
129A00-13851	6	17
129A00-13861	6	18
129A00-13901	6	31
129A00-13910	6	32
129A00-13920	6	33
129A00-14100	8	6
129A00-14580	8	3
129A00-14700	8	8
129A00-14710	8	11
129A00-16500	7	10
129A00-16600	7	11
129A00-16610	7	12
129A00-16700	7	14
129A00-16710	7	15
129A00-16730	7	16
129A00-16740	7	17
129A00-17300	7	24
129A00-17311	7	25
129A00-17350	7	26
129A00-17520	7	29
129A00-17570	7	31
129A00-17760	7	34
129A00-21580	10	12
129A00-21710	3	21
129A00-25050	8	13

Parts No.	Fig. No.	Ref. No.
129A00-25060	8	21
129A00-25080	8	29
129A00-25110	8	14
129A00-25120	8	22
129A00-25200	8	25
129A00-25210	8	26
129A00-25900	8	18
129A00-34870	11	19
129A00-49610	13	39
129A00-49620	13	43
129A00-51100	14	2
129A00-51110	14	3
129A00-51120	14	4
129A00-51130	14	5
129A00-51200	14	6
129A00-51900	14	7
129A00-53200	15	4
129A00-55600	16	1
129A00-55610	16	2
129A00-55650	16	6
129A00-55710	21	8
129A00-55730	21	12
129A00-55740	21	14
129A00-55751	21	9
129A00-55760	21	10
129A00-55770	21	15
129A00-55790	21	16
129A00-55800	16	3
129A00-57000	15	7
129A00-57100	15	8
129A00-57200	15	9
129A00-57210	15	10
129A00-59010	16	9
129A00-59020	16	16
129A00-59030	16	20
129A00-59040	16	25
129A00-59110	5	18
129A00-59120	5	19
129A00-59700	15	14
129A00-59810	15	16
129A00-59820	15	17
129A00-59830	15	18
129A00-75910	19	8
129A00-77820	4	80
129A00-91200	4	72
	6	6
	7	36
	16	24
129A00-91231	20	12
129A00-91430	7	38

Parts No.	Fig. No.	Ref. No.
129A00-91451	20	17
129A00-91600	20	20
129A01-01331	1	28
129A01-01500	2	1
129A01-01560	1	1
129A01-03060	4	65
129A01-03100	4	66
129A01-03120	4	67
129A01-11360	4	39
129A01-11700	4	13
129A01-12060	4	73
129A01-12100	5	3
129A01-12150	5	2
129A01-12800	5	16
129A01-12851	5	15
129A01-13101	6	1
129A01-13350	6	21
129A01-13601	6	3
129A01-13760	6	5
129A01-16201	7	6
129A01-18011	9	1
129A01-18080	9	2
129A01-18090	6	23
129A01-18200	5	7
129A01-18210	5	8
129A01-18220	5	9
129A01-22080	10	16
129A01-22500	10	18
129A01-22900	10	36
129A01-22950	10	38
129A01-32000	11	1
129A01-39460	12	9
129A01-39600	12	2
129A01-53100	15	1
129A01-91222	20	2
129A01-91500	20	18
129A01-91510	20	19
129A23-59500	16	13
129A24-77940	20	1
129A34-16001	7	5
129A34-42010	13	1
129A34-75010	19	1
129A88-17760	7	42
129C00-13860	7	3
129C00-13870	7	4
129C00-16400	7	8
129C00-16801	7	18
129C00-91200	7	37
129C01-13700	5	17
129C01-16690	7	13

Parts No.	Fig. No.	Ref. No.
129C22-17610	7	32
129C28-51000	14	1
129C28-53300	15	6
129C35-55720	21	7
129C61-35000	11	21
129E00-13620	6	16
129F01-13600	6	15
129F01-13620	6	4
129F01-13650	6	22
171008-03990	11	36
		40
171051-01921	1	5
171056-49120	11	15
172B02-17150	21	3
185100-50070	21	21
194990-22130	21	18
22190-080002	2	14
22190-100002	12	11
22190-120002	13	37
22190-140002	5	20
22190-220002	3	9
22217-180000	8	19
22252-000260	10	25
22351-030010	10	7
	12	21
22351-060012	4	33
22512-070140	8	7
	10	5
22857-500100	4	57
		58
		59
22857-500160	5	21
23000-022000	12	4
23000-048000	5	10
23000-054000	4	76
	5	11
23000-060000	5	12
23000-075000	5	13
23080-007000	16	15
23080-015000	11	38
		43
	16	12
		19
23297-080061	6	9
23414-080000	13	21
23414-100000	12	12
23414-120000	6	11
	13	14
23887-120002	13	16
24311-000070	21	25

Parts No. Index

Parts No.	Fig. No.	Ref. No.
24311-000120	4	61
24311-000320	2	8
	4	62
24316-000160	12	5
24316-240100	11	18
25152-003900	13	27
26023-040202	21	26
26106-060102	8	9
26106-060122	6	12
	13	28
	21	28
		29
26106-060162	4	77
	7	39
	12	6
26106-060202	5	32
26106-060402	5	33
26106-060902	5	34
26106-080122	12	13
	13	22
	20	21
		22
		23
26106-080142	7	19
	8	10
	20	24
	21	30
26106-080162	2	9
		15
	3	11
	4	64
		78
	11	20
	13	23
26106-080202	7	35
		43
	11	44
26106-080222	7	20
	13	33
26106-080252	3	12
	4	34
	6	29
	15	11
	16	7
		8
26106-080302	14	8
	16	4
26106-080352	2	16
	3	20
	4	35

Parts No.	Fig. No.	Ref. No.
26106-080402	2	17
	8	27
26106-080452	3	13
	8	17
	13	24
	18	31
26106-080502	3	14
	4	36
	5	6
		25
		20
	6	20
26106-080552	11	23
26106-080602	2	18
	13	25
26106-080752	5	26
26106-080852	2	19
26106-100202	7	40
26106-120252	17	24
26206-100252	3	4
26206-100302	3	5
26216-060202	5	4
26216-080352	5	22
26216-081052	5	27
26306-080002	5	28
	6	25
		30
		34
	7	21
		41
	9	4
26306-100002	18	27
26366-060002	15	19
26450-060162	3	22
	4	60
	8	12
26450-060252	11	14
26776-180002	8	20
27241-120000	1	14
27241-300000	1	10
27241-400000	4	21
27310-080001	4	28
29621-100000	20	25
29621-200000	20	26
729402-23100	10	26
X2114535200	17	20

Parts No.	Fig. No.	Ref. No.
-----------	----------	----------

Parts No.	Fig. No.	Ref. No.
-----------	----------	----------