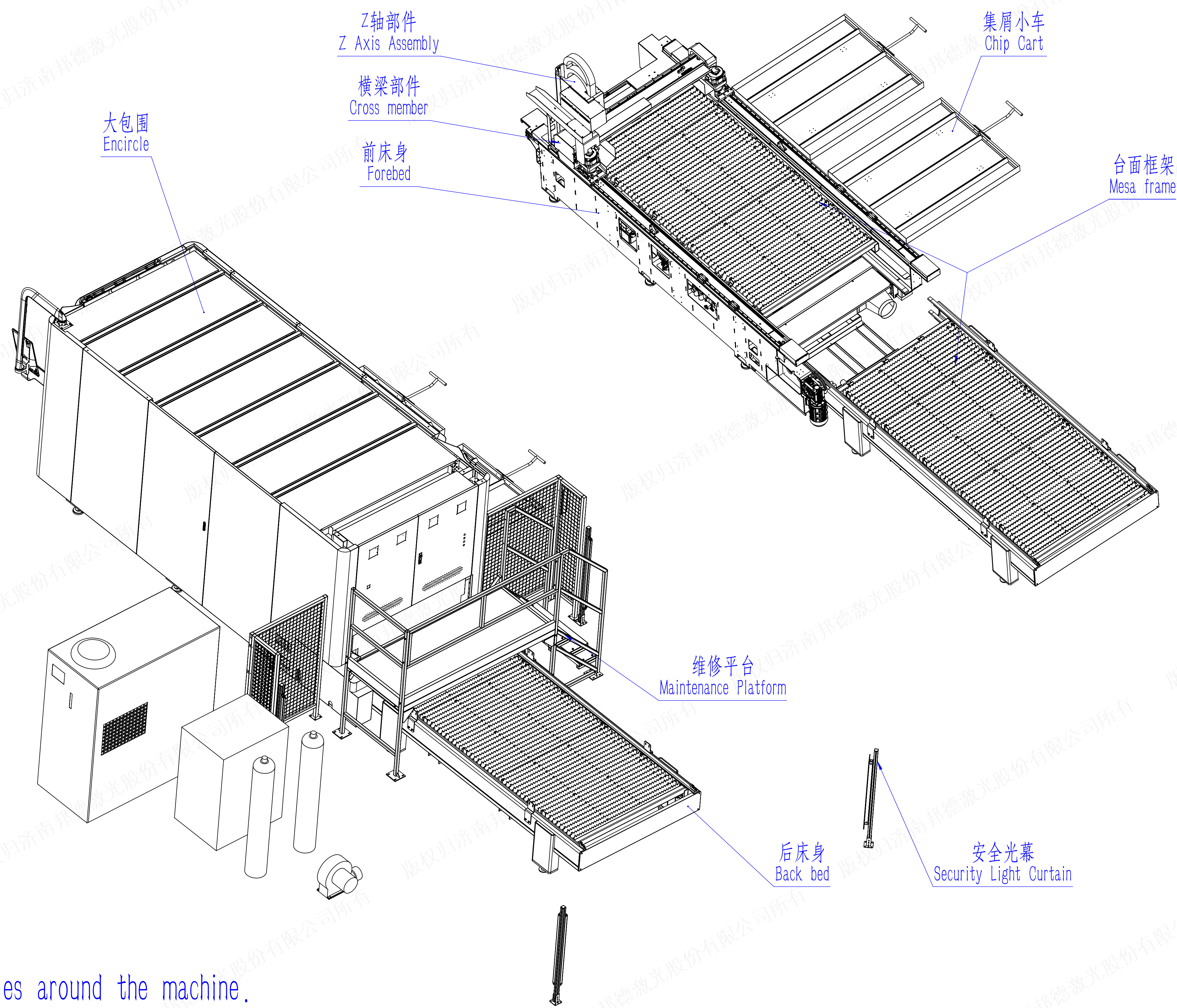
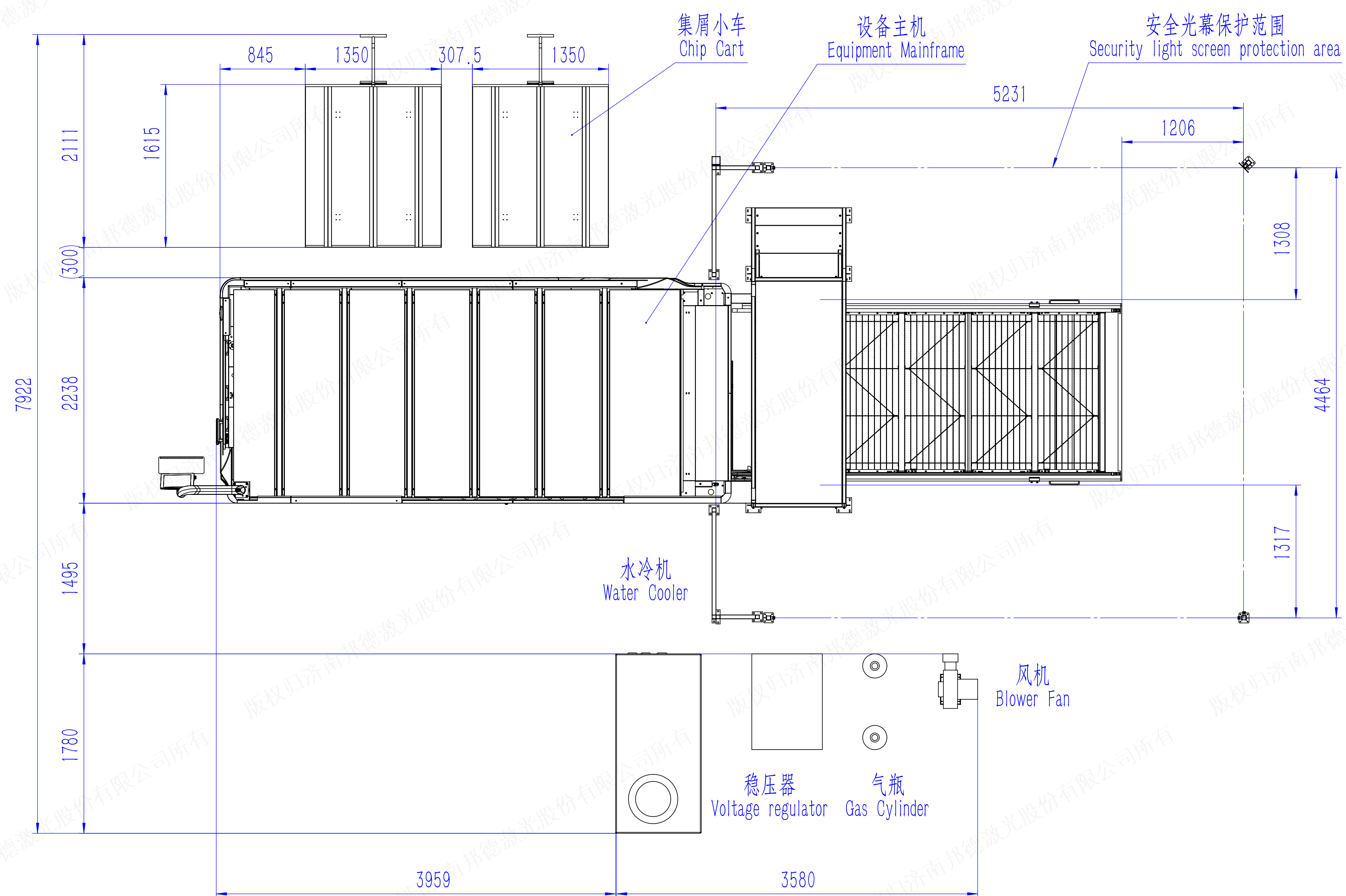
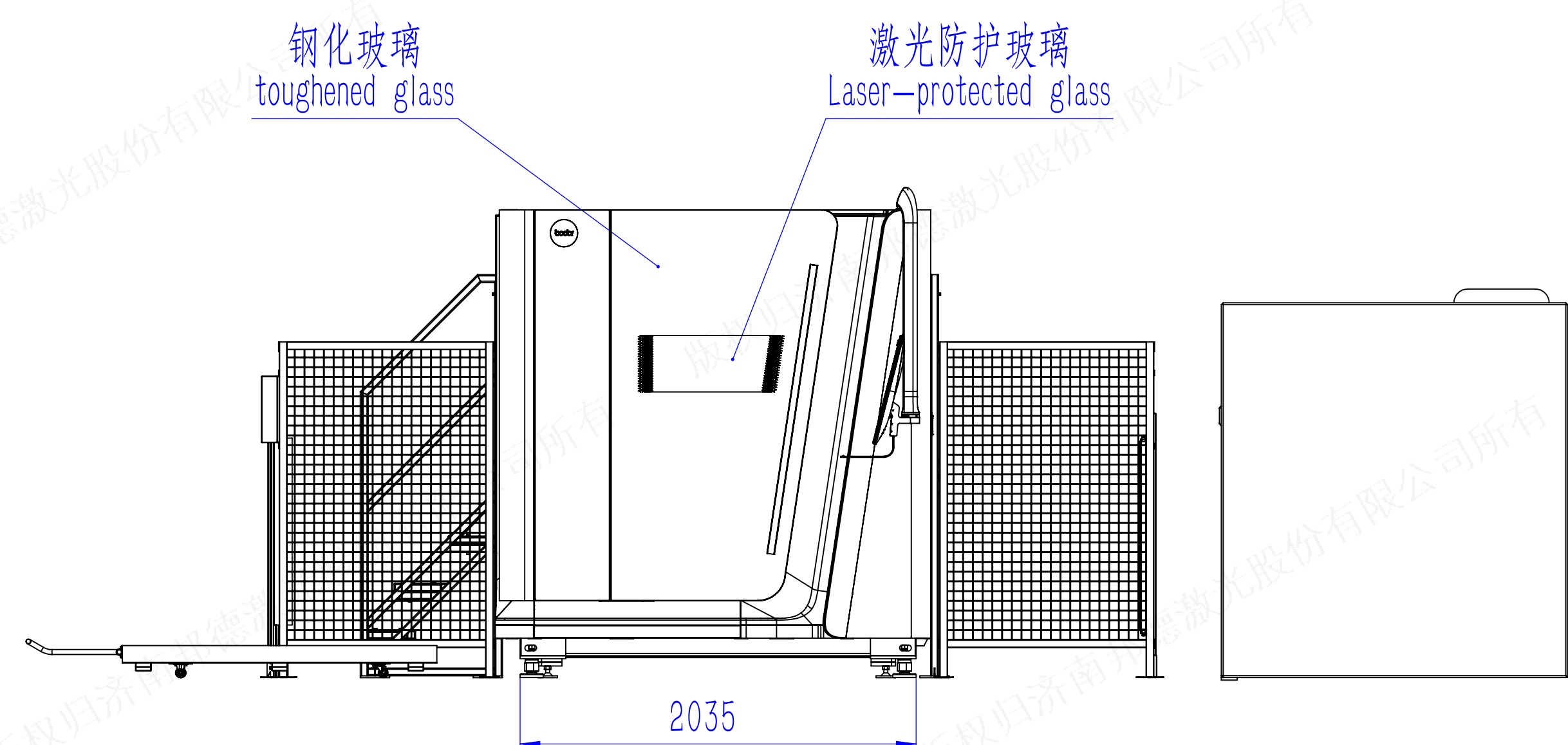
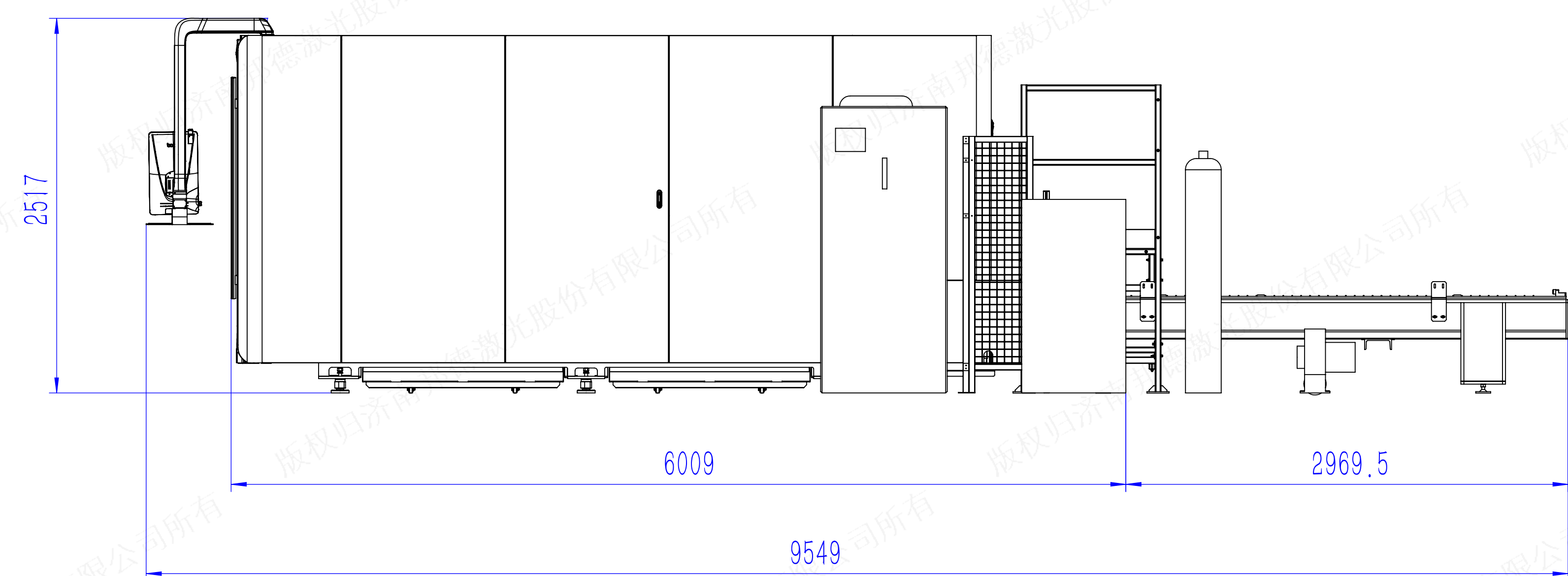


# P3 V3.0现场布局图 P3 V3.0 site layout



## 技术要求

1. 整机四周距障碍物至少一米。
2. 整机应该远离震源。
3. 整机就位场地平整度不大于5米。
4. 整机接入电压浮动在5%左右。
5. 风机及气源请自行放置在不影响使用的地方。
6. 稳压器为非标设备，为客户选配，若选用，位置请与技术部沟通。
7. 安全光幕及维修平台为非标设备，为客户选配。
8. 本布置图的设备位置仅作参考，实际排放根据现场实际情况而定。
9. 若涉及其余选配外件，位置请与技术部沟通

## Technical Requirements

1. At least one meter from the obstacles around the machine.
2. The whole machine should be away from the source.
3. The whole machine is in position and the flatness of the field is not more than 5 meters.
4. The connecting voltage of the whole machine fluctuates about 5% .
5. Please place the fan and air source in a place that does not affect the use.
6. Regulator for non-standard equipment, for customer selection, if selected, the location please communicate with the technical department.
7. Safety Light Screen and maintenance platform are non-standard equipment, which is selected for customers.
8. The location of the equipment in this layout is for reference only. The actual discharge depends on the actual situation on site.
9. If the other spare parts are involved, please contact the technical department

ERP号/版本		33330121001/A	
设计		工艺	
审核		批准	
日期		版本	
设计		工艺	
审核		批准	
日期		版本	
设计		工艺	
审核		批准	
日期		版本	