

Machine Specification

Description		SA12B	SA20B	SA32B
Machining Capacity	Max. Turning Bar dia.	∅12mm	∅20mm	∅32mm
	Max. Turning Bar Length	160mm	210mm	210mm
	Max. Main Spindle Drilling / Tapping	∅7mm / M6	∅10mm / M8	∅12mm / M10
	Max. Sub Spindle Chucking dia.	∅12mm	∅20mm	∅32mm
	Max. Back-end Face Drilling / Tapping	∅7mm / M6	∅8mm / M6	∅10mm / M8
	Max. Cross Drilling / Tapping	∅7mm / M6	∅8mm / M6	∅10mm / M8
Capability	Max. Cross Disc-Mill Dia.	∅30mm	∅32mm	∅40mm
	Max. Main Spindle Speed	10,000rpm	8,000rpm	8,000rpm
	Max. Sub Spindle Speed	10,000rpm	8,000rpm	8,000rpm
	Max. Cross Spindle Speed	6,000rpm	6,000rpm	6,000rpm
	Total No. of Tools	18	22	20
	O.D / Cross Live Tool / Y-Axis ID	5 / 4 / 5	6 / 4 / 5	5 / 4 / 5
	Front-end Face Tools (Sub)	-	3(Live 2, Fixed 1)	2(Live 2)
	Back-end Face Tools	4(Live 2, Fixed 2)	4(Live 2, Fixed 2)	4(Live 2, Fixed 2)
	Bite Shank	□10 × 120mm	□12 × 120mm	□16 × 120mm
	Rapid Traverse	32M / min.	32M / min.	32M / min.
	Controllable Axes	7	7	7
Motor	Main Spindle Positioning	Cs + 1/1,000°	Cs + 1/1,000°	Cs + 1/1,000°
	Sub Spindle Positioning	Cs + 1/1,000°	Cs + 1/1,000°	Cs + 1/1,000°
Motor	Main Spindle	1.5 / 2.2kW	2.2 / 3.7kW	5.5 / 7.5kW
	Sub Spindle	0.55 / 1.1kW	1.5 / 2.2kW	1.5 / 2.2kW
	Cross Drill / Mill Unit	1.0kW	1.0kW	1.0kW
	Back-end Face Tools	0.5kW	0.75kW	0.75kW
	Coolant Pump Unit	0.45kW	0.9kW	0.9kW
	Lubrication Pump Unit	0.04kW	0.04kW	0.04kW
	Coolant Capacity	160ℓ	200ℓ	240ℓ
Dimension	Center Height	1,000mm	1,000mm	1,000mm
	Length × Width × Height	1,580 × 960 × 1,590mm	1,960 × 1,170 × 1,640mm	2,060 × 1,315 × 1,645mm
	Net Weight	1,900kg	2,700kg	3,100kg

* Above specification may be changed without prior notice.

NC Specification

Description	SA12B / SA20B / SA32B
NC Controller	FANUC 0iTF
No. of Controllable Axis	7
Axis Designation	X1, Z1, Y1, X2, Z2, C1, C2
Min. Input Increment	0.001mm
Min. Command Increment	0.001mm (X axis : 0.0005mm)
Max. Programmable Value	±8 digits
Interpolation Function	Linear / Circular
Feedrate	1~6,000mm / min.
Feedrate Override	0~150%, 10% step
Dwell	G04 0.001~9999.999
ABS / INC Command	X, Z, Y, C : Absolute U, V, W, H : Incremental
Tool Offset	±6 digits
No. of Tool Offset	64 sets
CRT / MDI	8.4", 10.4" (SA32B) Color LCD
Display Language	English, Others
Tape Memory	1 Mbyte
No. of Registerable Program	800 sets
Miscellaneous Function	M5 / M3 digits
Main Spindle Function	S4 digits
Tool Function	T4 digits

* Above specification may be changed without prior notice.

Machine Standard

Rotary Guide Bush Holder Unit
Part Conveyor
M-code Air Blow
Part Eject Detector
4 Spindle Cross Drill Unit
Main / Sub Spindle Positioning : 1/1,000°
Cs Control on Main & Sub Spindle
Back Tool Unit (Fixed 4)
Coolant Flow Detector
Work Light
Patrol Light
Barfeeder Interface
Service Tool Kit
Instruction Manual
FANUC Manual (Operator / Maintenance / Parameter)
Y-Axis Tool Unit

Machine Option

Barfeeder
Long Part Discharging Unit
Chip Conveyor
Back Tool Unit (Live 2, Fixed 2)
M-Code Oil Blow
Cut-Off Detector
Thread Whirling Unit

NC Standard

Circle, Semi-circle Designation
Work Coordinate Shift (G50)
Machine Lock
Single Block
Software Operation Panel
Tool Offset Display
Input / Output Interface
Working Hour / No. of Parts Display
Tool Radius Compensation
Chamfer / Corner R
Automatic Power Off
Inch / Metric Conversion
Back-ground Editing
Constant Surface Speed Control
Synchronous / Composit Function
Z1-Z2 Synchronous Function
MPG Handel Wheel : 0.001mm
I/O Interface (RS232C)
Synchronous Control (Main&Sub)
Rigid Tapping on All Spindles

NC Option

MPG Program Check
IC card
Additional G-Code
FANUC Warranty Service (2 years)

NEXTURN
SWISS TURN LEADER

35, Giheungdanji-ro, 121beon-gil,
Giheung-gu, Yongin-si, Gyunggi-do, Korea
TEL:82-31-288-2092
FAX:82-31-288-2190
E-mail : overseas@nexturn.co.kr
Homepage : http://www.nexturn.co.kr



ISO 9001 / 14001
Registered Firm

Printing date : 1/ 4/ 2018

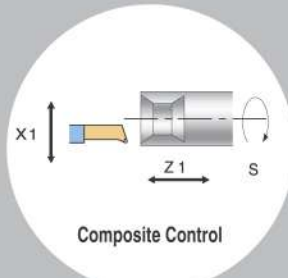
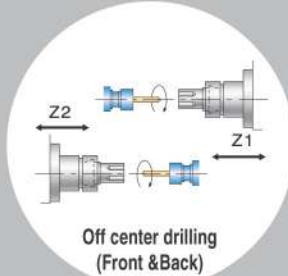
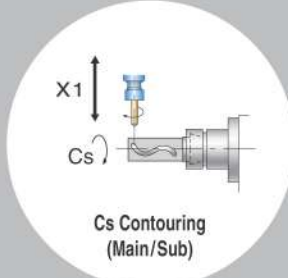
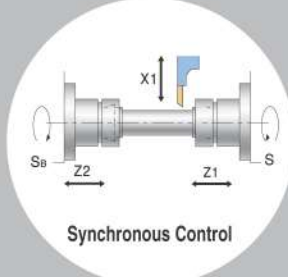
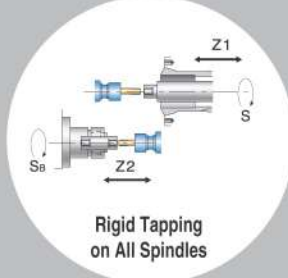
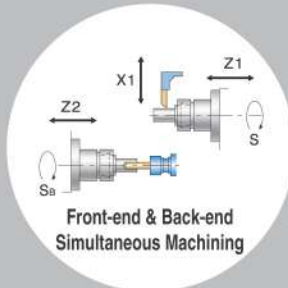
CNC SWISS TYPE AUTOMATIC LATHE

SA12B / SA20B / SA32B

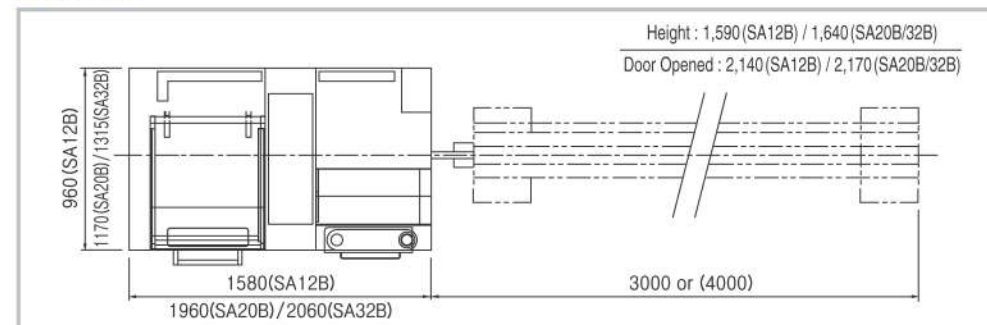


NEXTURN
SWISS TURN LEADER

Optimized for High Productivity With Impressive Price and Performance



LAY-OUT



CNC SYSTEM

- FANUC OiTF Controller
- Conversational and Economic Type Software for Network
- A Large Capacity PMC with High Speed for Reducing Cycle Time
- Conversational and Self-Diagnostic Function Displays
- Convenient & Simple Operation Panel Configuration

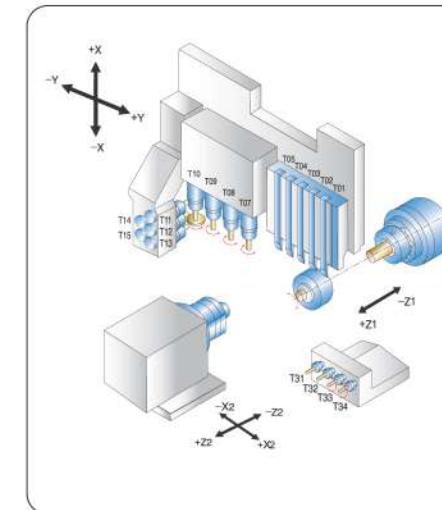


POWERFUL BACK-END TOOL STATION (OPTIONAL)

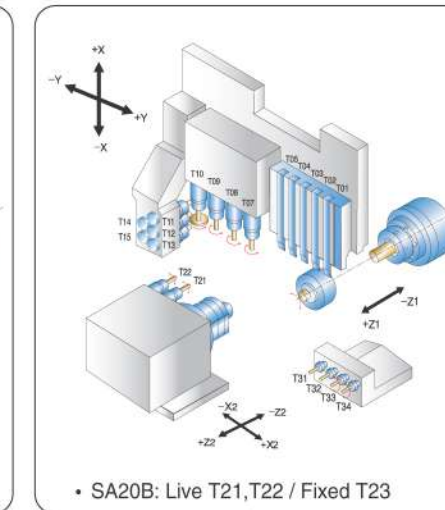
- Balanced Process by Powerful Back-End Machining Reducing Cycle Time
- Rigid Off-center Drilling and Tapping with High Speed and High Accuracy
- Number of tool(4) : Live 2~4 (Option)
- Max. Spindle Spd : 6,000rpm (SA12B)

Optimum Structure Design for High Accuracy And Minimum Machining Time

TOOLING SYSTEM (SA12B)



TOOLING SYSTEM (SA20B/32B)



EASY OPERATION SYSTEM

- Arm Type Positioning Operation Panel with Convenience
- Fully Opening Type Covers & Doors (Up / Down, RH / LH)
- Minimized Operational Key with Software Configuration

RIGIDITY / RELIABILITY

- One Piece Casting Bed Type
- Collet for Revolving Tool (ER16)
- Cut-Off Tool Breakage Detector by Mechanical Sensors
- Cable, Sensor, Main Spindle, Ball Screw Protected against Erosion or Hardening

HIGH ACCURACY / HIGH PRODUCTIVITY

- Fanuc Built-in AC Spindle Motor
- Ultra Precision Ball Screw / LM Guide
- 1/1,000° Positioning for Main & Sub Spindle
- Keep the Optimal Repeated Precision Level by Ball Screw Dual Pressure
- Rapid Traverse Speed : 24m/min.

CONVENIENCE

- Easy Chip Disposal System with Downward Tool Direction
- Safe & Versatile Shock Protection Software
- Easy & Simple Operational Panel
- Versatile Tool Management Program
- Easy Positioned Control Panel

PNEUMATIC UNIT

- Easy Trouble Check and Remedy
- Easy Installation of Pneumatic Device
- Easy Maintenance
- Keep Stability with Visible Location against Trouble or Breakage

POWERFUL TOOLING SYSTEM AT HIGH SPEED

