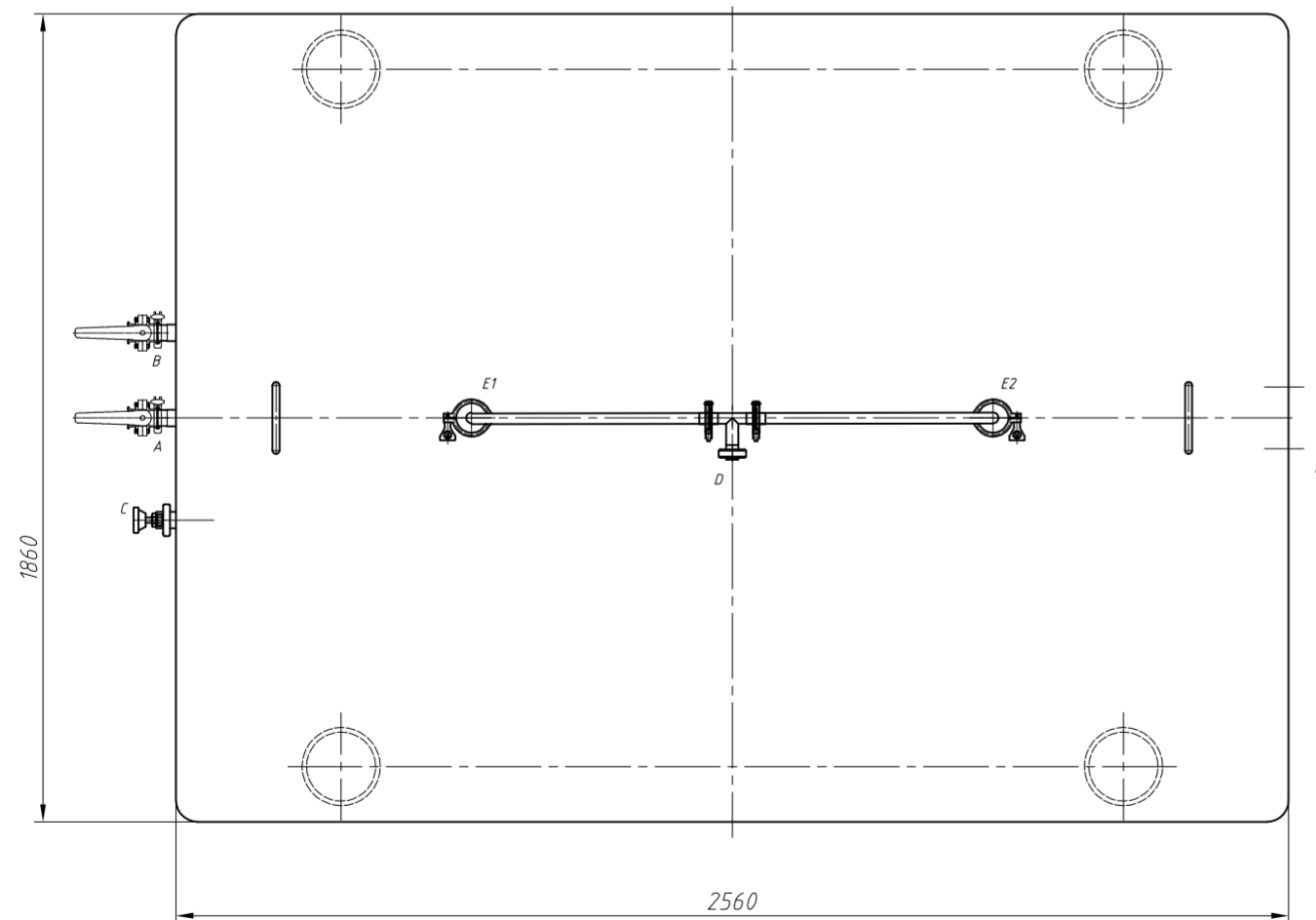
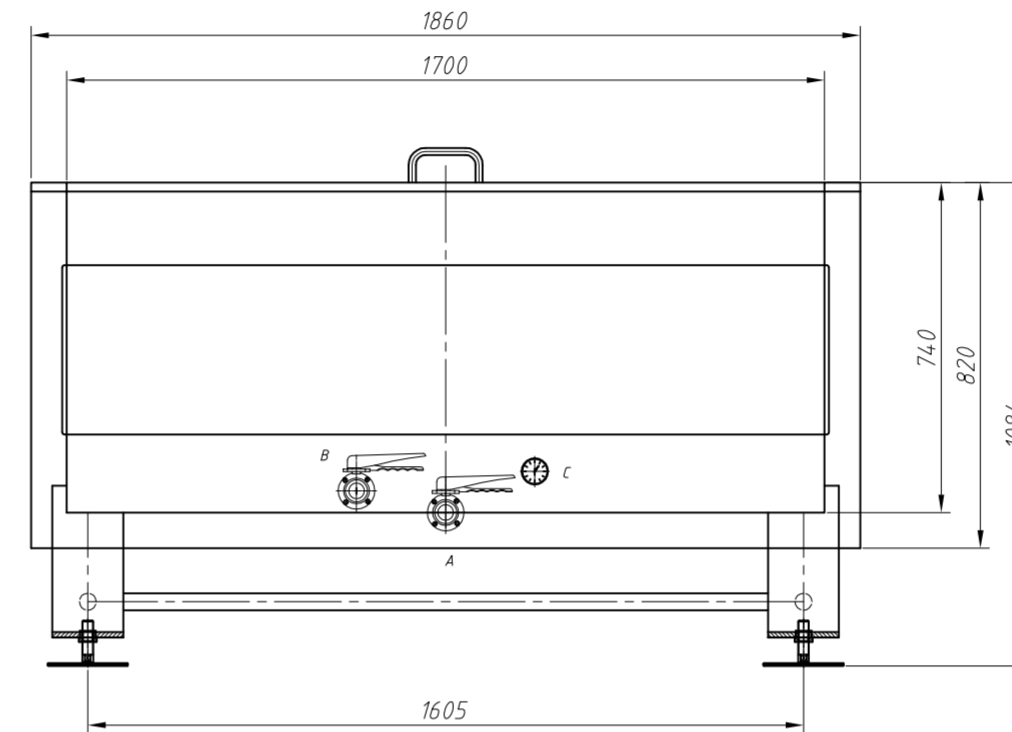
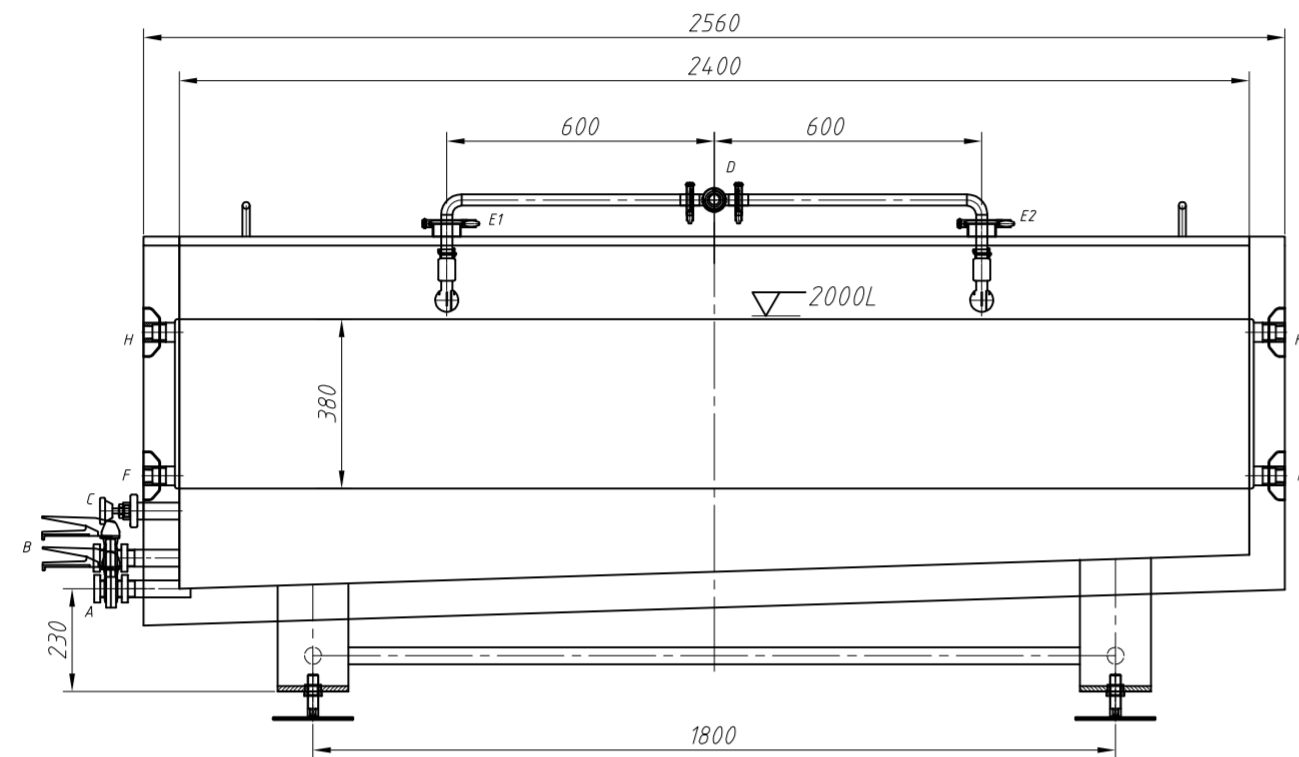


| REV | DESCRIPTION       | NAME | DATE   |
|-----|-------------------|------|--------|
| A   | Original          |      | Otc 26 |
| B   | Change to DIN40   |      | Nov 23 |
| C   | Add CIP           | C    | May 03 |
| D   | Change Size       | C    | May 07 |
| E   | Change CIP        | C    | May 14 |
| F   | Change FH to BSPT | C    | May 19 |



|                      | DESIGN PARAMETERS |                         |        |
|----------------------|-------------------|-------------------------|--------|
|                      | MEASUREMENT       | PRESSURE                |        |
|                      |                   | Inner Vessel            | Jacket |
| Working Pressure     | Bar               |                         | 2      |
| Design Pressure      | Bar               |                         | 2.2    |
| Pressure Test        | Bar               |                         | 2.8    |
| Air-Tight Test       | Bar               |                         |        |
| Working Temperature  | °C                | 0 – 120                 |        |
| Design Temperature   | °C                | 0 – 120                 |        |
| Medium               |                   | Wort / Beer             |        |
| Material             |                   | 304                     |        |
| Full Volume          | L                 | 2500                    |        |
| Effective Volume     | L                 | 2000                    |        |
| Glycol Transfer Area | m <sup>2</sup>    | 3.9                     |        |
| Insulation Material  |                   |                         |        |
| Insulation Thickness | mm                |                         |        |
| Dry Weight           | Kg                | 840                     |        |
| Net Weight           | Kg                | 2840                    |        |
| Size                 | mm                | L: 2300 W: 1220 H: 1500 |        |

| Components |       |               |        |
|------------|-------|---------------|--------|
| A          | DIN40 | Drain/outlet  | Thread |
| B          | DIN40 | Drain/outlet  | Thread |
| C          | DIN40 | Thermo        | Thread |
| D          | DIN25 | CIP           | Thread |
| E1-2       | 2.5"  | CIP Take Over | Clamp  |
| F          | BSPT1 | Glycol inlet  | Thread |
| H          | BSPT1 | Glycol outlet | Thread |

|                                  |        |             |             |
|----------------------------------|--------|-------------|-------------|
| Brew-Tek                         |        | DRAWN BY    | DATE        |
|                                  |        | Frank Wang  | 14 May 2018 |
| 2000L Fermentation Tank Open Top |        | CHECKED BY  | DATE        |
|                                  |        |             |             |
| BT-FV-2000L-E021-CB              |        | APPROVED BY | DATE        |
|                                  |        |             |             |
| DRAWING NUMBER                   | SHEET  | REVISION    |             |
|                                  | 1 OF 1 |             | B           |

|    |    |    |
|----|----|----|
| A2 | 日期 | 签字 |
|    |    |    |
|    |    |    |
|    |    |    |