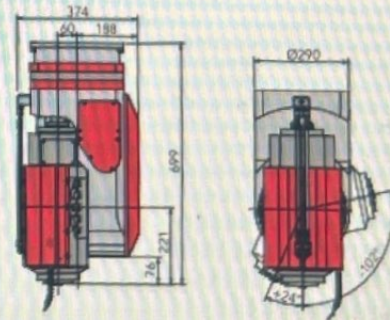




| Technical data | D218 | D318 | D418 |
|---------------------------|----------------------|--|----------------------|
| LINEAR AXIS TRAVEL | | | |
| X | 2000 mm (78") | 3000 mm (118") | 4150 mm (163") |
| Y | | 1000 mm (39") | |
| Z | | 800 mm (31") | |
| LINEAR AXIS FEED | | | |
| X | 22 m/min (866 ipm) | 22 m/min (866 ipm) | 22 m/min (866 ipm) |
| X Y | | 22 m/min (866 ipm) | |
| TOOL MAGAZINE | | | |
| | | 20 positions | |
| MAIN OPTIONS | | | |
| | | swarf conveyor | |
| | | suction system for graphite dust | |
| | | digitizing | |
| | | ViMill® 3D simulator with Virtual Look Ahead | |
| WORK TABLE | | | |
| LENGTH | 2500 mm (98") | 3500 mm (137") | 4500 mm (177") |
| WIDTH | | 1500 mm (59") | |
| T SLOTS | | n° 6 pitch 250 mm (9.8") | |
| MAX. LOAD | 10000 kg (22046 lbs) | 14000 kg (30864 lbs) | 18000 kg (39683 lbs) |

Indexed bi-rotary head

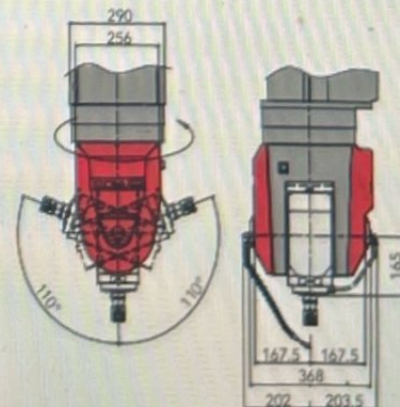
| | |
|----------------------------|----------------|
| B AXIS TRAVEL | - 102° / +24° |
| B AXIS PITCH | 3° |
| C AXIS TRAVEL | - 177° / +180° |
| C AXIS PITCH | 3° |
| MAX. SPINDLE SPEED | 30,000 rpm |
| CONTINUOUS MAX. POWER (S6) | 22 kW |
| TOOLHOLDER | HSK50E |



Indexed bi-rotary head

Continuous bi-rotary head

| | |
|----------------------------|------------|
| B AXIS TRAVEL | ± 110° |
| C AXIS TRAVEL | ± 360° |
| MAX. AXIS FEED | 5000°/min |
| MAX. SPINDLE SPEED | 32,000 rpm |
| CONTINUOUS MAX. POWER (S6) | 7,5 kW |
| TOOLHOLDER | HSK40E |



Continuous bi-rotary head