

YMWA / YMRA

Water-cooled cooling only, remote condenser and heat pump scroll compressor chiller

Cooling capacities from 21 kW to 193 kW



Same cabinet w/o or with factory mounted hydrokit (one or two pumps). More compact and slim.

Features

- Scroll compressors (single or tandem)
- Higher EER and COP
- 2 different frames / configurations:
 - 1 compressor / 1 circuit up to 45 kW
 - 2 compressors / 1 circuit from 50 to 190 kW
- Reduced refrigerant charge
- Condensing pressure control
- "Plug and Play" units

Available versions

14 available YMWA sizes in three versions:

- 1) **YMWA-CO** : Cooling only
- 2) **YMRA** : Remote condenser
- 3) **YMWA-HP** : Reversible heat pump

Nominal capacity and technical data

YMWA-CO	0020	0025	0030	0035	0040	0045	0050	0060	0075	0090	0120	0150	0170	0190
Cooling Capacity (kW)	21	26	31	35	39	47	51	61	77	91	119	147	170	193
EER	4.59	4.55	4.46	4.54	4.49	4.58	4.30	4.47	4.48	4.37	4.46	4.46	4.50	4.51
SEER	Meet Ecodesign Requirements													
ηs, c	Meet Ecodesign Requirements													
Length /Width / Height (mm)	821 / 455 / 1350						1210 / 850 / 1500							
Operating weight (kg)	162	182	179	185	191	214	352	371	392	411	597	666	701	745
YMRA	0020	0025	0030	0035	0040	0045	0050	0060	0075	0090	0120	0150	0170	0190
Cooling Capacity (kW)	21	26	31	35	39	46	51	62	78	91	119	148	169	193
Length /Width / Height (mm)	821 / 455 / 1350						1210 / 850 / 1500							
Operating weight (kg)	144	164	166	166	172	172	332	344	365	376	558	612	643	674
YMWA-HP	0020	0025	0030	0035	0040	0045	0050	0060	0075	0090	0120	0150	0170	0190
Cooling Capacity (kW)	21	26	31	34	38	46	50	59	76	89	115	145	166	186
Heating Capacity (kW)	24	29	34	39	43	51	58	68	86	102	132	164	190	212
EER	4.45	4.47	4.46	4.35	4.33	4.39	4.2	4.27	4.4	4.23	4.29	4.36	4.36	4.3
COP	3.88	3.85	3.73	3.79	3.77	3.85	3.83	3.81	3.92	3.89	3.92	3.95	3.93	3.93
SCOP	Meet Ecodesign Requirements													
ηs, h	Meet Ecodesign Requirements													
Length /Width / Height (mm)	821 / 455 / 1350						1210 / 850 / 1500							
Operating weight (kg)	165	187	184	190	195	219	360	379	403	422	610	683	718	762

Net values at Eurovent nominal conditions:

YMWA-CO: Standard Eurovent LCP/W/AC conditions in cooling mode: evaporator EWT/LWT 12°C/7°C, condenser EWT/LWT 30°C/35°C

YMRA: Evaporator EWT/LWT 12°C/7°C, condensing temperature 40°C

YMWA-HP: Standard Eurovent LCP/W/AC conditions in cooling mode: evaporator EWT/LWT 12°C/7°C, condenser EWT/LWT 30°C/35°C

YMWA-HP: Standard Eurovent LCP/W/AC conditions in heating mode: evaporator EWT/LWT 10°C, condenser EWT/LWT 40°C/45°C

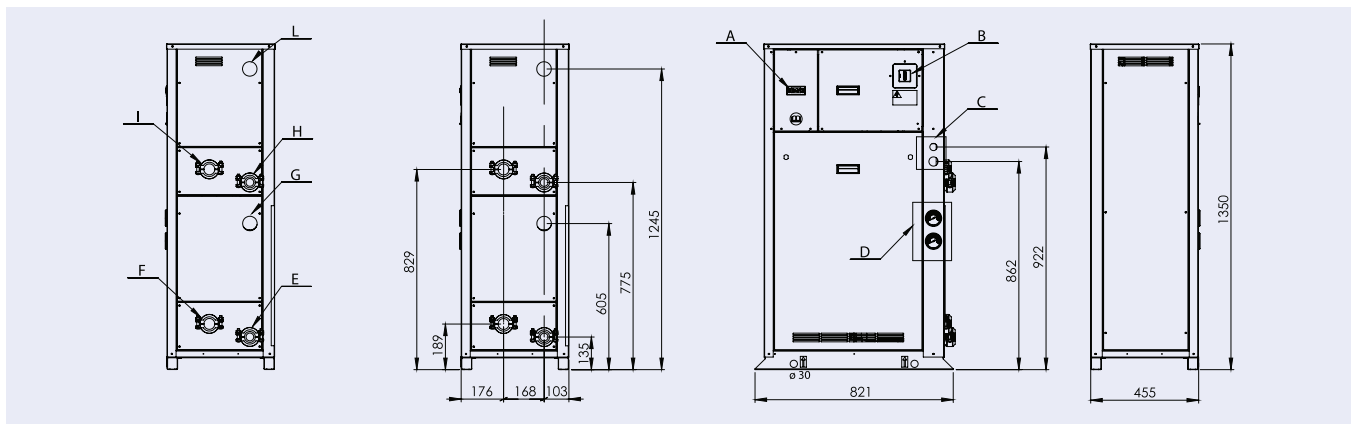
SEER and SCOP calculated according to EN14511 and EN14825

ηs calculated according to Ecodesign regulation for chillers comfort cooling and heating (813/2013, 2016/2281). For other Ecodesign calculations, please contact your JCI representative.

The above data is based on Johnson Control's selection software YORKworks 18.02. Please refer to the latest version of the software for specific projects

Dimensions and hydraulic connections

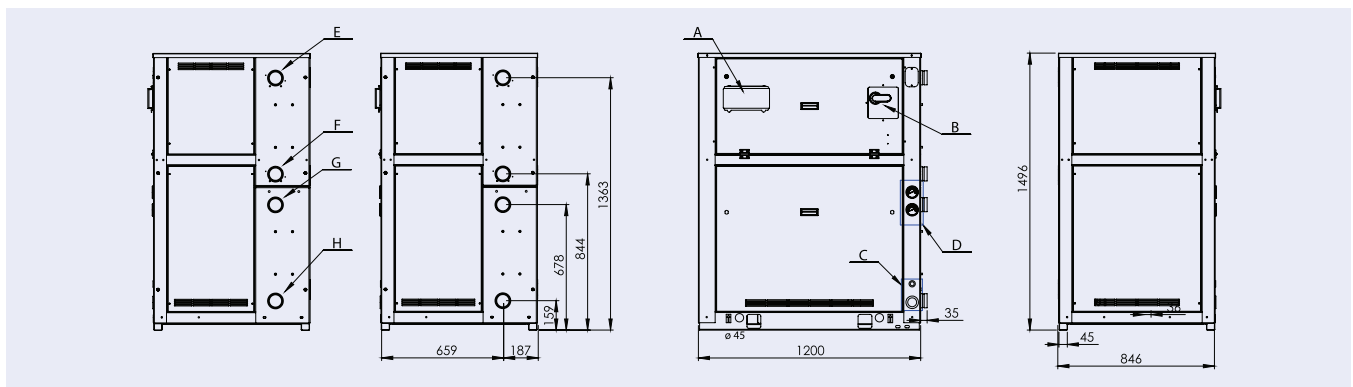
YMWA-CO/HP 0020-0045



A	Control display	D	Gauge kit	YMRA Sizes	In	Out
B	Main switch	E, F, G	Water evaporator connections Ø 1 1/2" victaulic	020	H Ø 5/8"	L Ø 5/8"
C	Auxiliary lines, electrical connection	H, I, L	Water condenser connections Ø 1 1/2" victaulic	025-045	H Ø 5/8"	L Ø 7/8"

All dimensions in mm. Drawings not a scale.

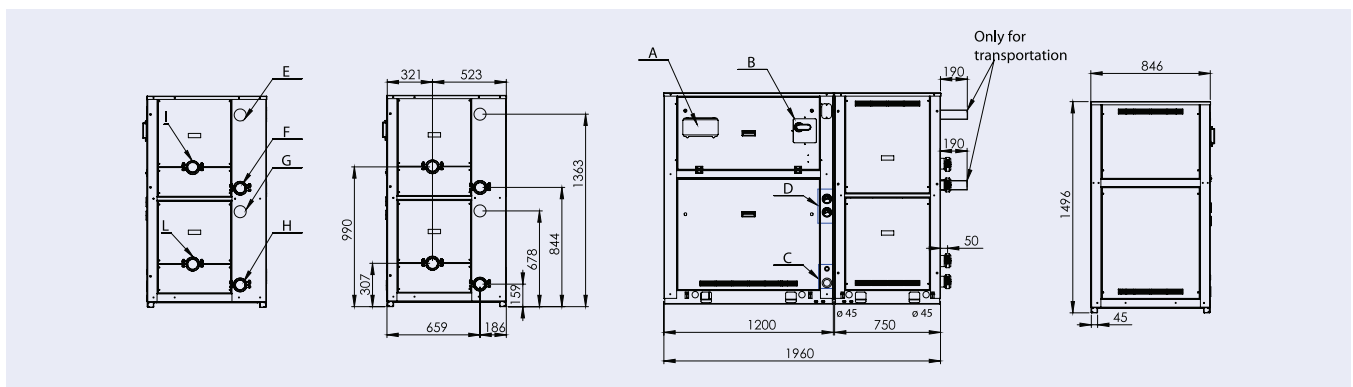
YMWA-CO/HP 0050-0190 without Hydrokit



A	Control display	D	Gauge kit
B	Main switch	G, H	Water evaporator connections Ø 1 1/2" victaulic
C	Auxiliary lines, electrical connection	E, F	Water condenser connections Ø 1 1/2" victaulic

All dimensions in mm. Drawings not a scale.

YMWA-CO/HP 0050-0190 with Hydrokit



A	Control display	D	Gauge kit	YMRA Sizes	In	Out
B	Main switch	G, H, L	Water evaporator connections Ø 1 1/2" victaulic	050-060	F Ø 5/8"	E Ø 7/8"
C	Auxiliary lines, electrical connection	E, F, I	Water condenser connections Ø 1 1/2" victaulic	075-090	F Ø 7/8"	E Ø 1 1/8"
				120	F Ø 7/8"	E Ø 1 3/8"
				150	F Ø 7/8"	E Ø 1 5/8"
				170-190	F Ø 1 1/8"	E Ø 1 5/8"

All dimensions in mm. Drawings not a scale.



Manufacturer reserves the rights to change specifications without prior notice.