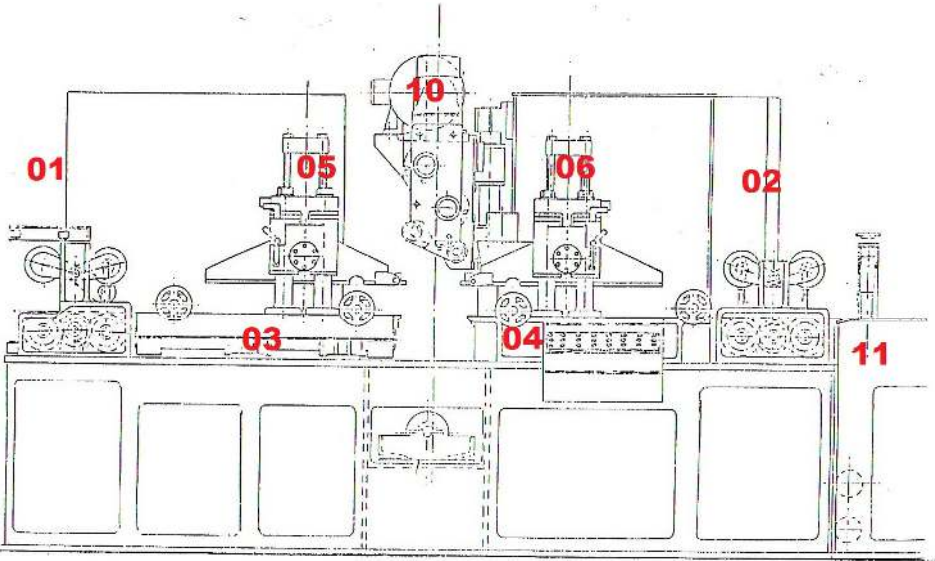
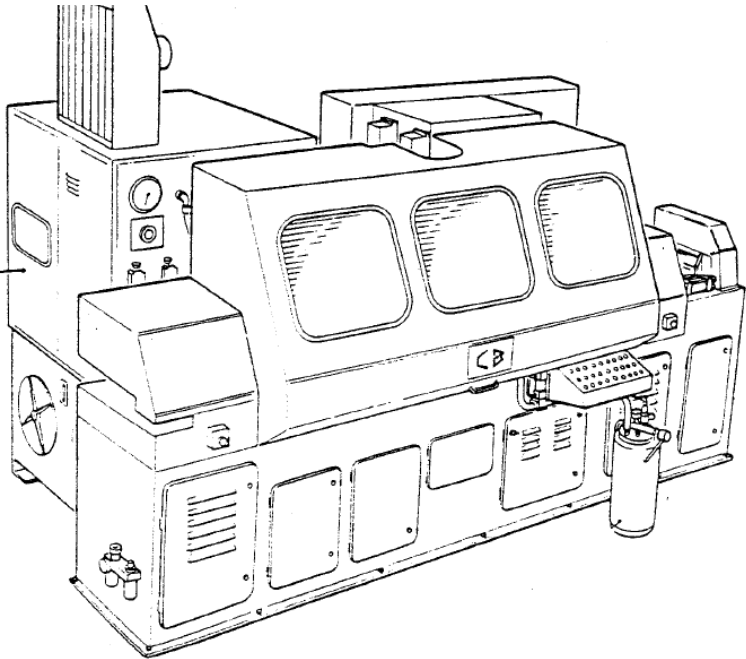
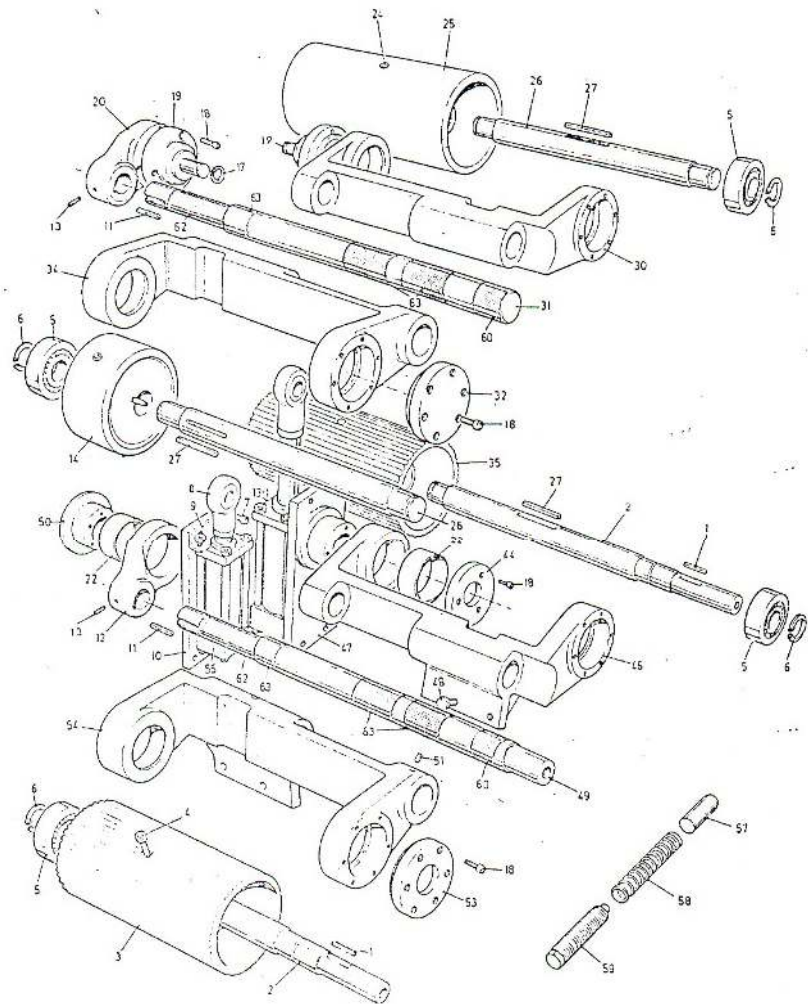


COOK BOLINDERS retrofit jöma GmbH Achern

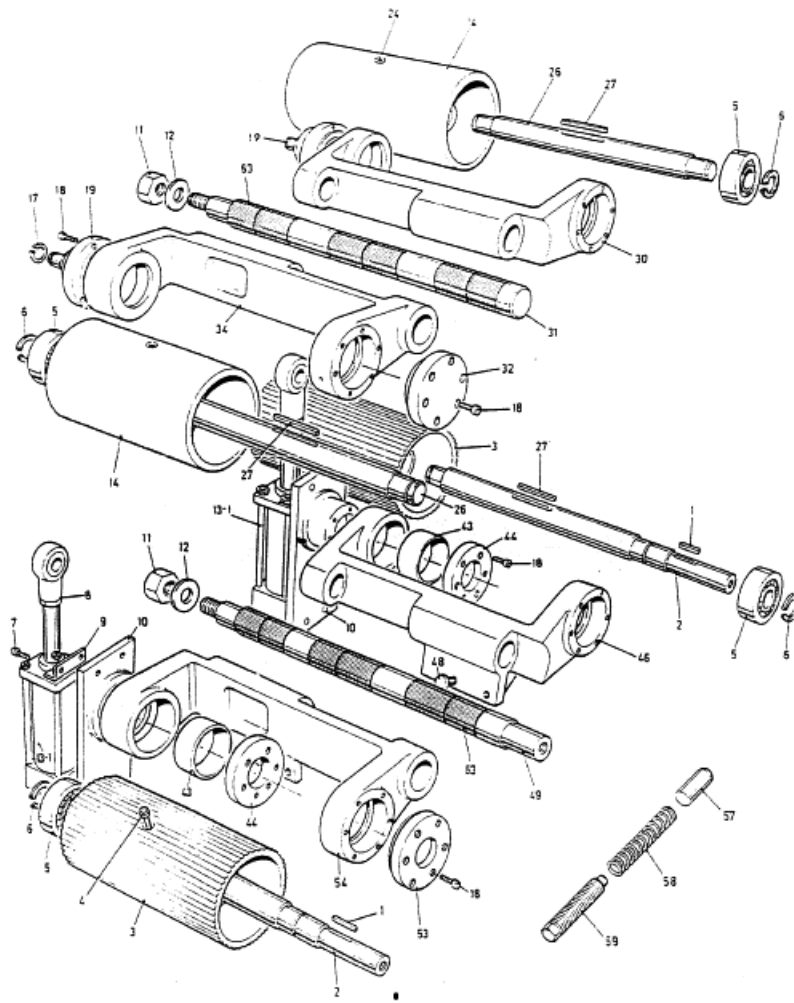




01 INFEEED DRIVE UNIT

Plate No 2-2

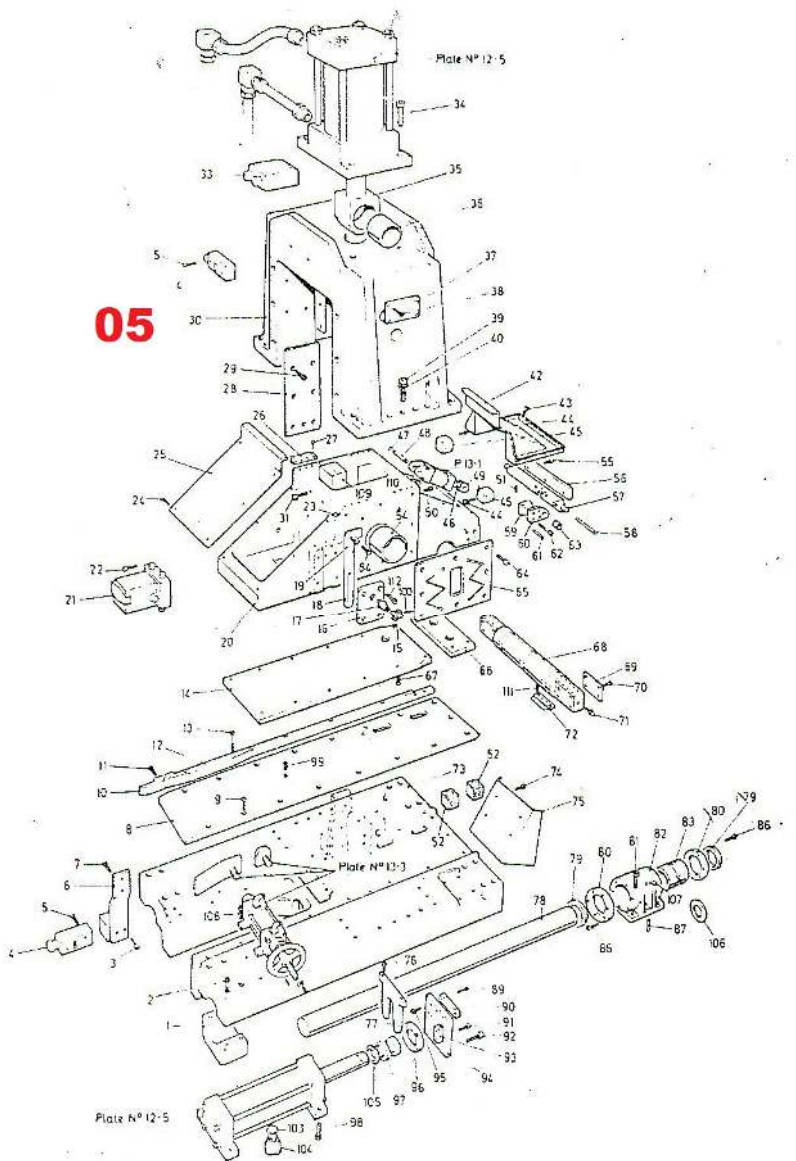




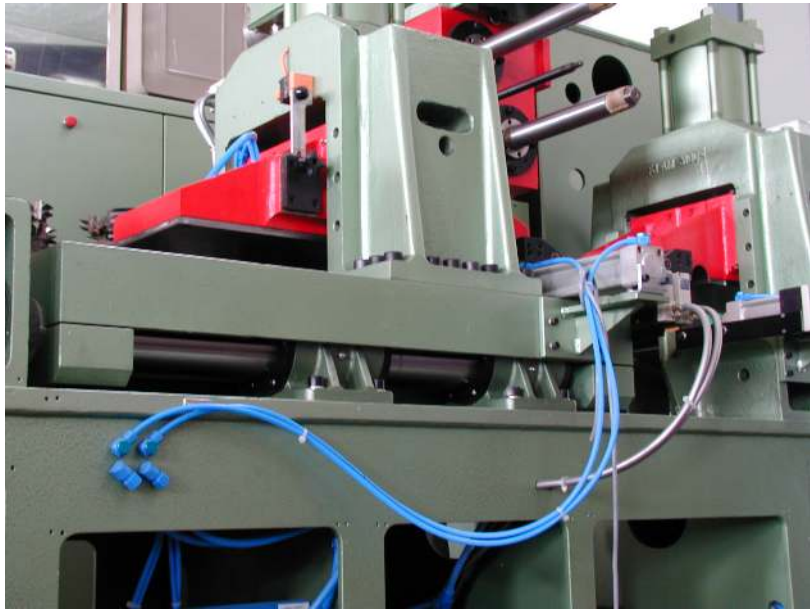
02 OUTFEED DRIVE UNIT

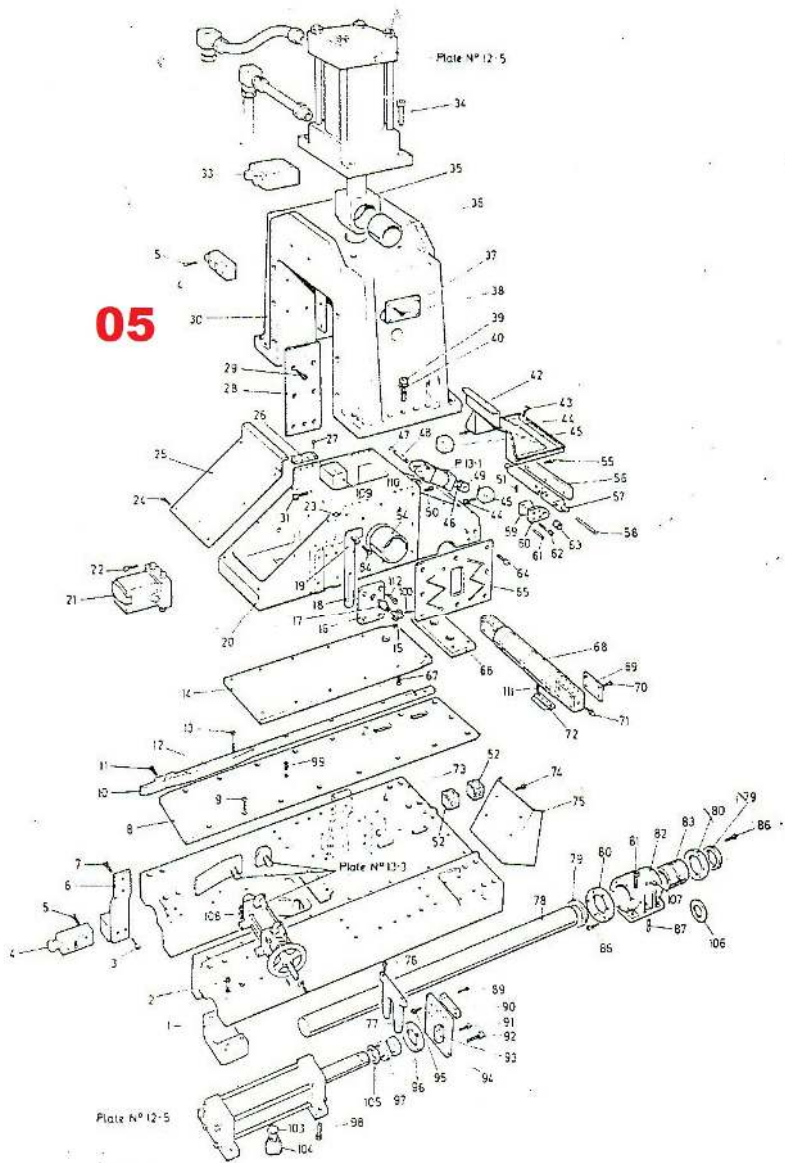
Plate No 7-2





03 INFEEED CLAMP CARRIAGE ASSY Plate N° 3-1B

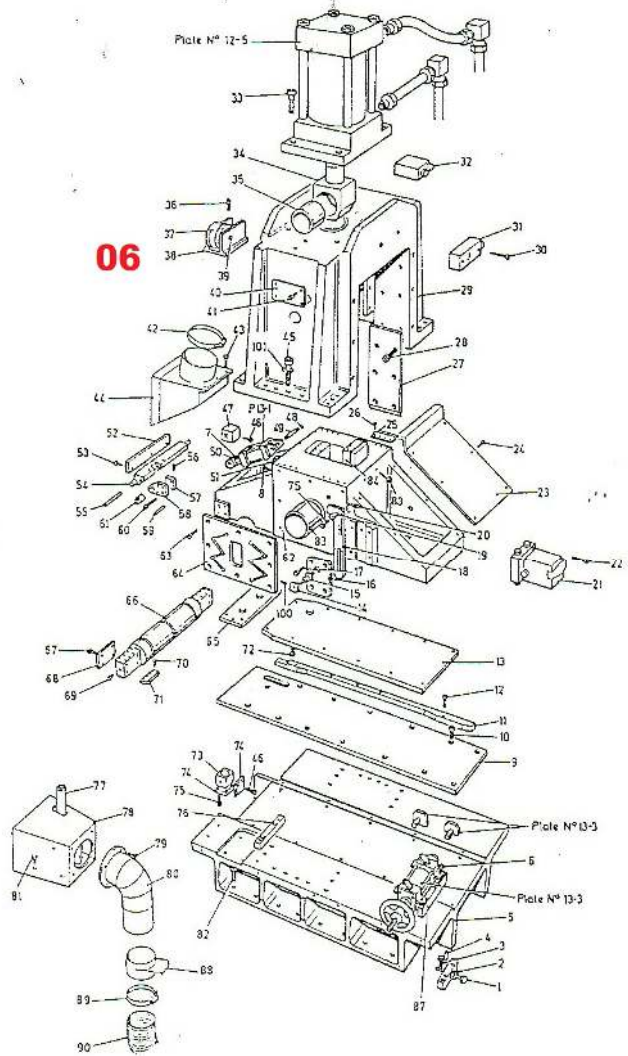




03 INFEEED CLAMP CARRIAGE ASSY

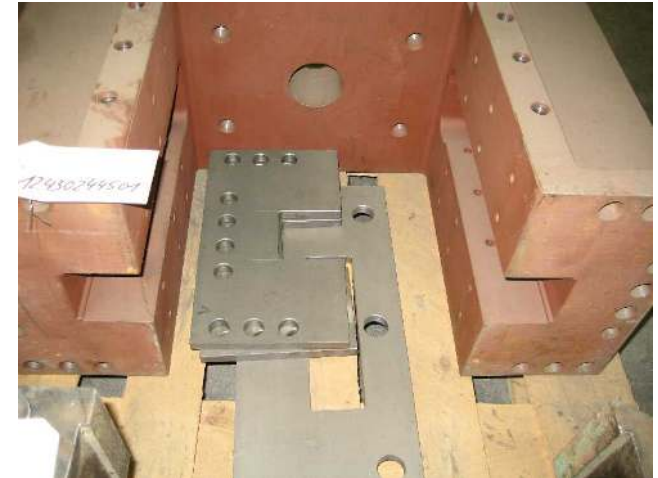
Plate N° 3-1B

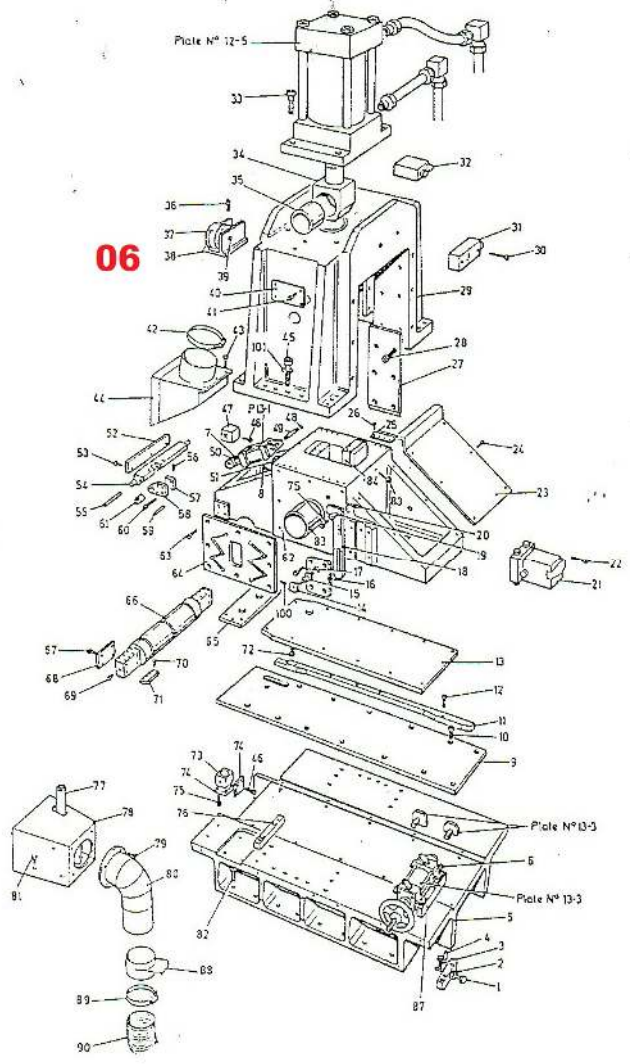




04 OUTFEED CLAMP CARRIAGE ASSY

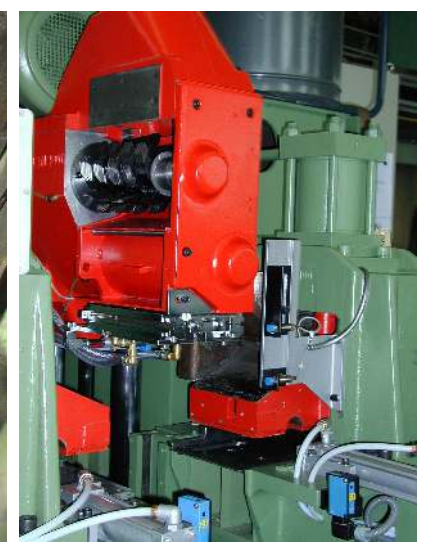
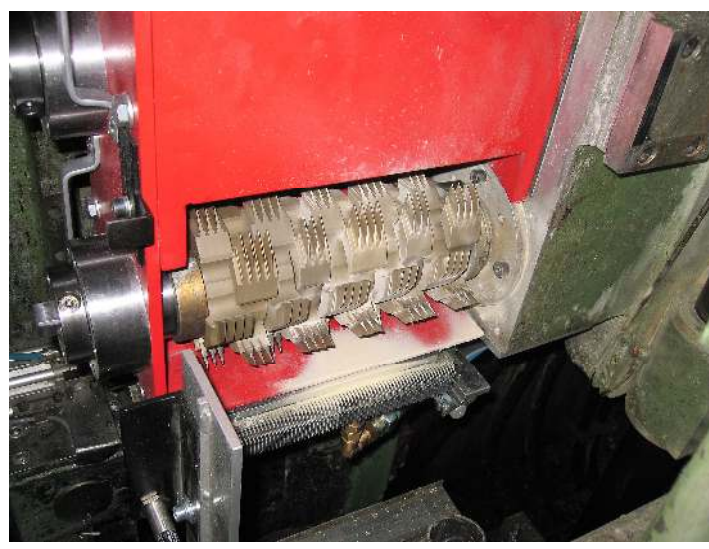
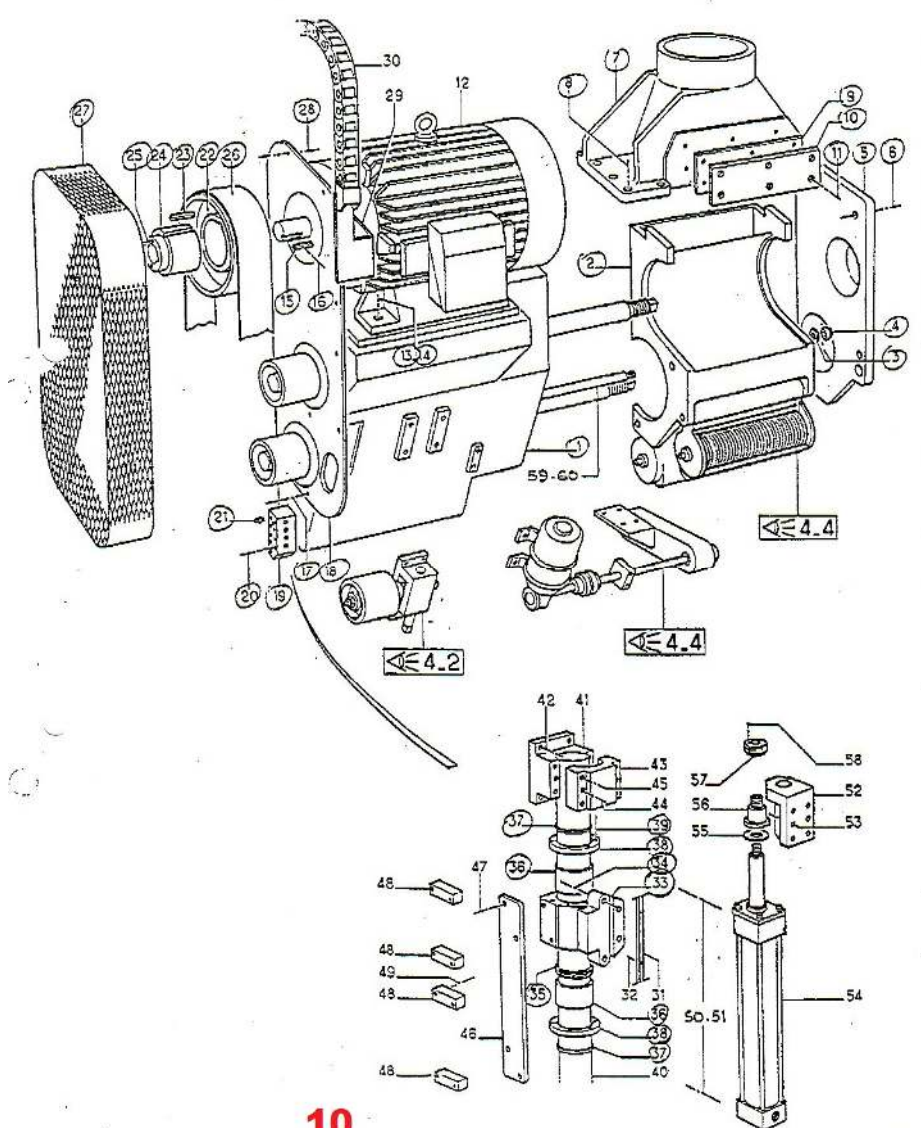
Plate No 6-1



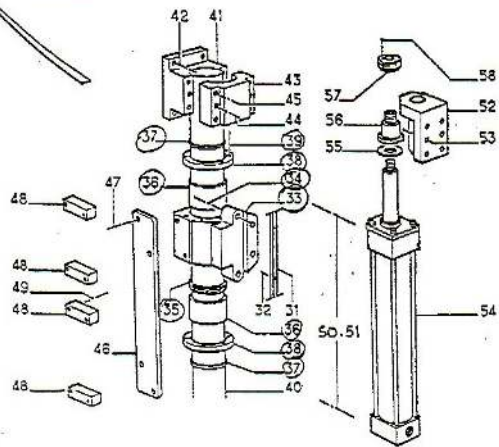
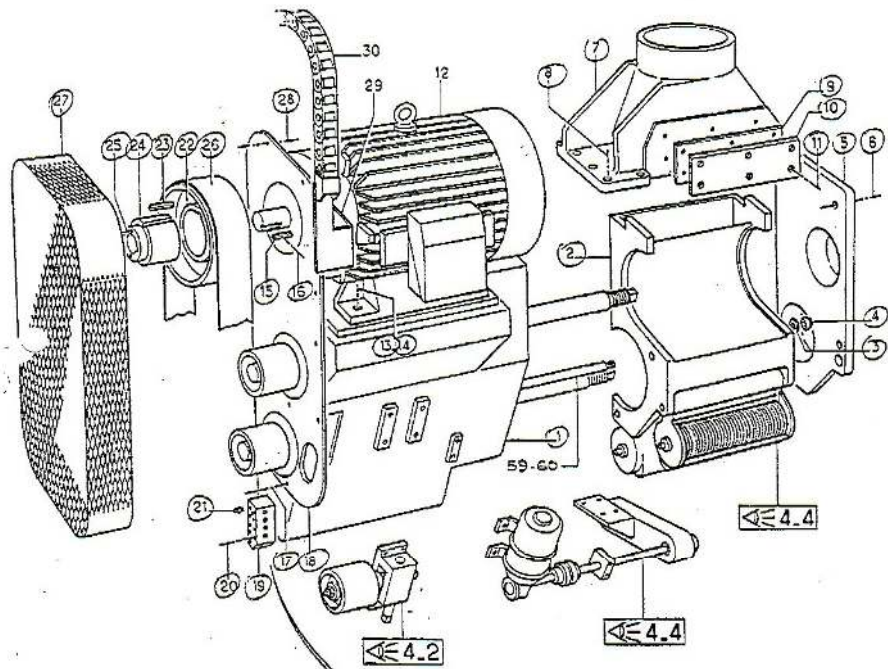


04 OUTFEED CLAMP CARRIAGE ASSY

Plate N° 6-1



4.1



10

4.1

