



**Model DPX-19840**

Prime power	kva	200
	kw	160
Standby power	kva	220
	kw	176
Rated voltage line to line	V	400
Rated current	A	288
Maximun sound level	dB@7m	75

**Engine-Cummins**

Model	6CTAA8.3-G2	
Aspiration	Four-stroke,water-cooled,in-line,direct injection,turbocharged, charged air cooled	
Fuel system	BYC P7100 electric governor	
No. cylinders	6	
Displacement	L	8,3
Bore*Stroke	mm	114x135
Compression ratio	18.0:1	
Rated speed	r/min	1500
Governor	Electric system	
Engine wet weight	kg	684
Engine idel speed	750-850	
Fire order	1-5-3-6-2-4	
Start Motor	V	24

**Exhaust System**

Max exhaust back pressure	kPa	10,1
---------------------------	-----	------

**Air intake System**

Max inlet pressure (Dirty air)	kPa	6,2
Max inlet pressure (Clean air)	kPa	3,7

## Fuel System

110% load(Standby power)	L/h	51
100% load(Prime power)	L/h	45
75% load(Prime power)	L/h	34
50% load(Prime power)	L/h	23
25% load(Prime power)	L/h	13
Fuel capacity for silent genset	L	285
Fuel capacity for open genset	L	300

## Lubrication System

Idle speed oil pressure	kPa	103
Governed speed oil pressure	kPa	276-414
Max Oil temp	°C	121
Oil capacity	L	23,8

## Cooling System

Coolant capacity--Engine only	L	12,3
Max coolant friction head to engine	Kpa	35
Max water temp standby/prime powe	°C	110/104

## Standard Features

Engine(Cummins ENGINE)	●
Radiator 50°C max,fans are driven by belt	●
24V charge alternator	●
Alternator: single bearing alternator IP23	●
insulation class H/H	●
Standard auto control system	●
One set of air filter, fuel filter, oil filter	●
Main line circuit breaker / ACB	●
Base fuel tank	●
Two 24V batteries, rac and cable	●
Exhaust system(Ripple flex exhaust pipe)	●
Exhaust siphon, flange, muffler	●
User manual	●
Battery charge	●
Water heater	●

## Options

Alternator heater	<input type="radio"/>
PMG	<input type="radio"/>
Water oil separator	<input type="radio"/>
Daily fuel tank	<input type="radio"/>
Remote control panel	<input type="radio"/>
Automatic transfer switch/ATS	<input type="radio"/>
Switch box	<input type="radio"/>
Standard: ●	Options: ○

## Alternator

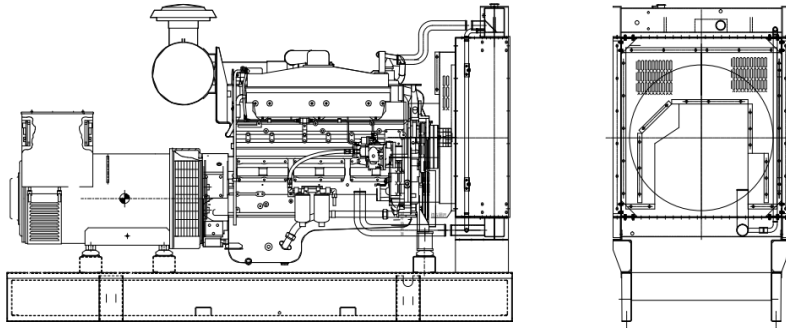
Model		TAL-A44-M
Alternator Brand		Leroy Somer
Phase		3
Voltage	V	400
Wiring Type		6 wires
Bearing		1
Power factor		0,8
Frequency	Hz	50
Prime power	KVA	200
Exciter Type		Brushless, self-excitation
Voltage regulation	%	±0.5
Protection Grade		IP 23
Insulation grade		H

## Controller-Deepsea

Model	DSE 6120
7 digital display	
Built-in governor and AVR control	
Base load (kW export) functionality	
Mains (utility) de-coupling protection	
Generator power (kW, kVA) monitoring	
Overload (kW & kV Ar) protection	
Emergency stop	
Start failure	



## Unit Dimensions(Basic unit)



### Open Type

L\*W\*H

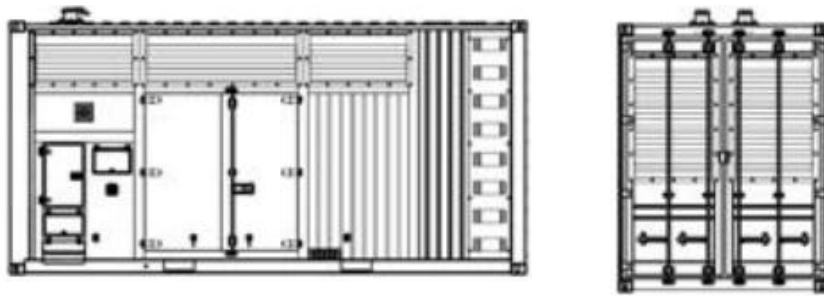
mm

2500\*1000\*1550

Weight

kg

2000



### Silent Type

L\*W\*H

mm

3300\*1130\*1600

Weight

kg

2400

## Warranty

### Cummins Engine

12 months from date of purchase or 1000 hours.

### Generator

12 months from date of purchase or 1000 hours

(whichever comes first).