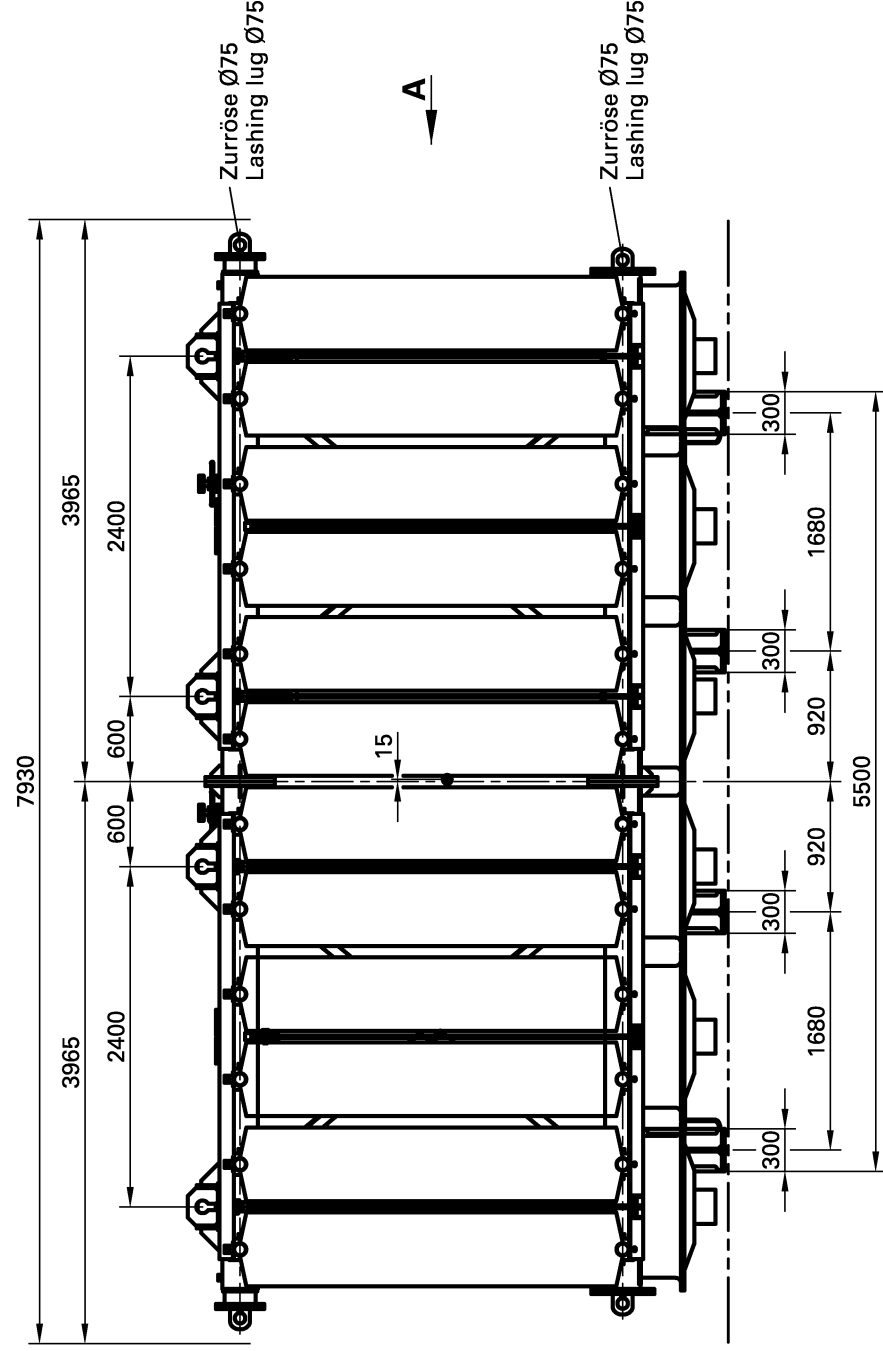


In reproduction, transmission or use of this document or its contents is not permitted without express written authority. Offenders will be liable for damages. All rights, including rights created by patent grant or registration of a utility model or design, are reserved.

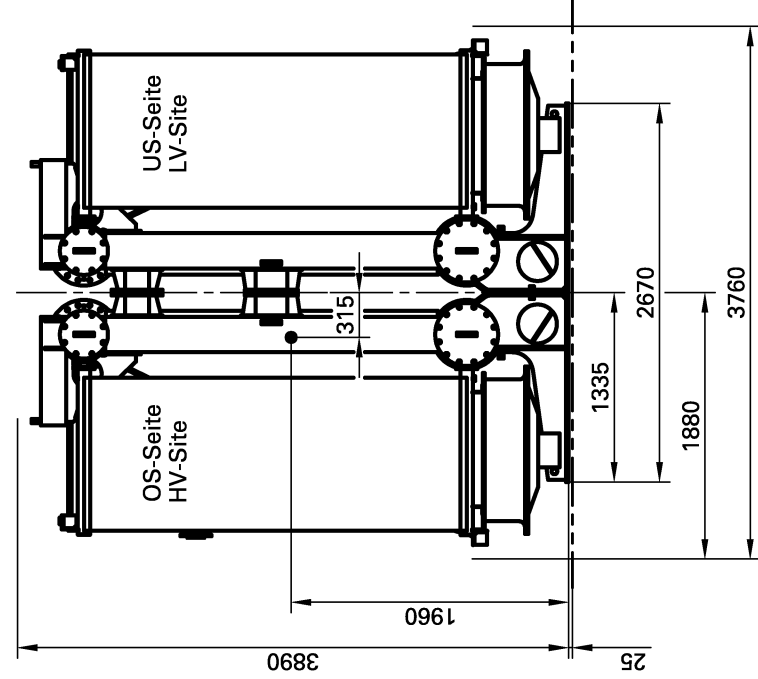
Verladeplan Radiatorenbatterie

Loading plan Radiator bank

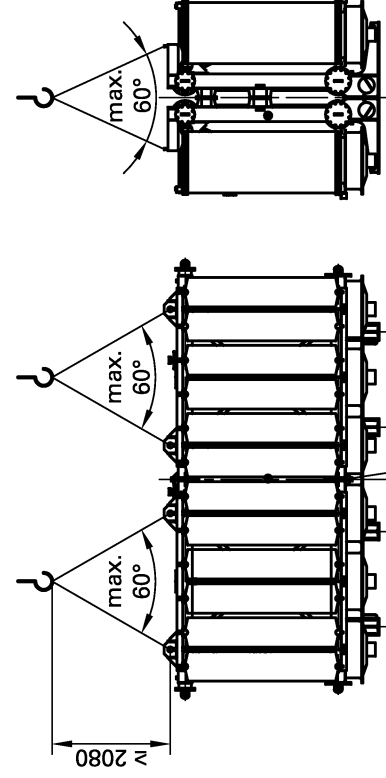
Type TLSN 8452



Ansicht A
View A



Hissbild
Lifting plan



Trennstelle für separates Anheben
Demounting plane for separate lifting

Bei Versand mit Stickstoff gefüllt / by transport filled with nitrogen!

Versandmasse: abgelassene Ölmasse:	23,8 t 5,0 t	Shipping mass: Oil to be drained:	23,8 t 5,0 t
Zum Transport sind abzubauen und getrennt mitzuliefern: div. Rohrleitungen	1 100 kg	Dismantle for shipping and supply separately: Pipes	1 100 kg

Date	21.03.2012	Approved								
Distr. Group	EN 2	<i>Rösler</i>	Revision							
Prepared	Wenzel		Drawing designation	Loading plan	General tolerance	DIN ISO 2768-m				
Checked	Findeisen		Project	Lincs	Scale	/	AutoCAD			
SIEMENS		PD	WNR	51 7586	Dwg. No.	D25 27 419-01	Rev.	Sheet No.	02-	3