



NESTO KG  
Gabrovski-Str.81B  
Zapadna promichlena zona  
5000 V.Tarnovo, Bulgarien  
Tel. 00359/ 62/ 623536  
00359/ 62/ 601372  
office@nesto

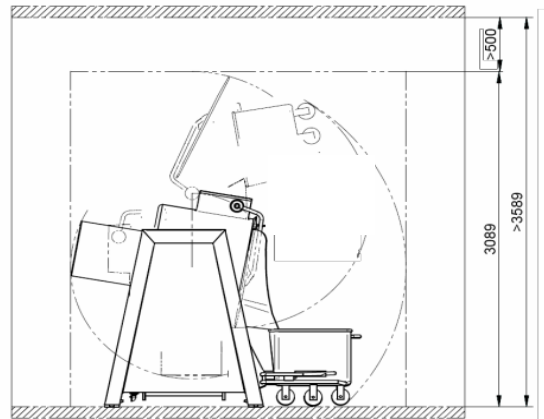
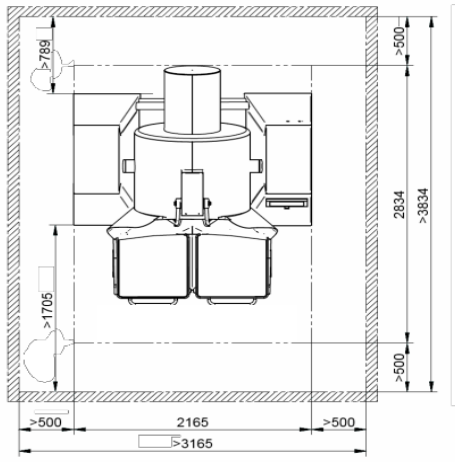
## QUOTATION

### COOLING VACUUM TUMBLER RUHLE



Container size:	600 litres
Max. filling:	450 litres
Refrigerant:	R404A, 0.76 kg
Speed of mixing and tumbling arm:	0 to 30 rpm

Vacuum: 0 –95 %Lifting aid,  
load capacity: 500 kg  
Connection voltage: 400 V/50/60 Hz 3-phase AC / N / PE  
Power consumption: 4.8 kW  
Back-up fuse max.: 16 A  
Protection class: IP54  
Ambient temperature: +2 to 40 °C  
Dimensions, W x H x D: 2165 x 3089 x 2834 mm



Machine weight: 1400 kg

---