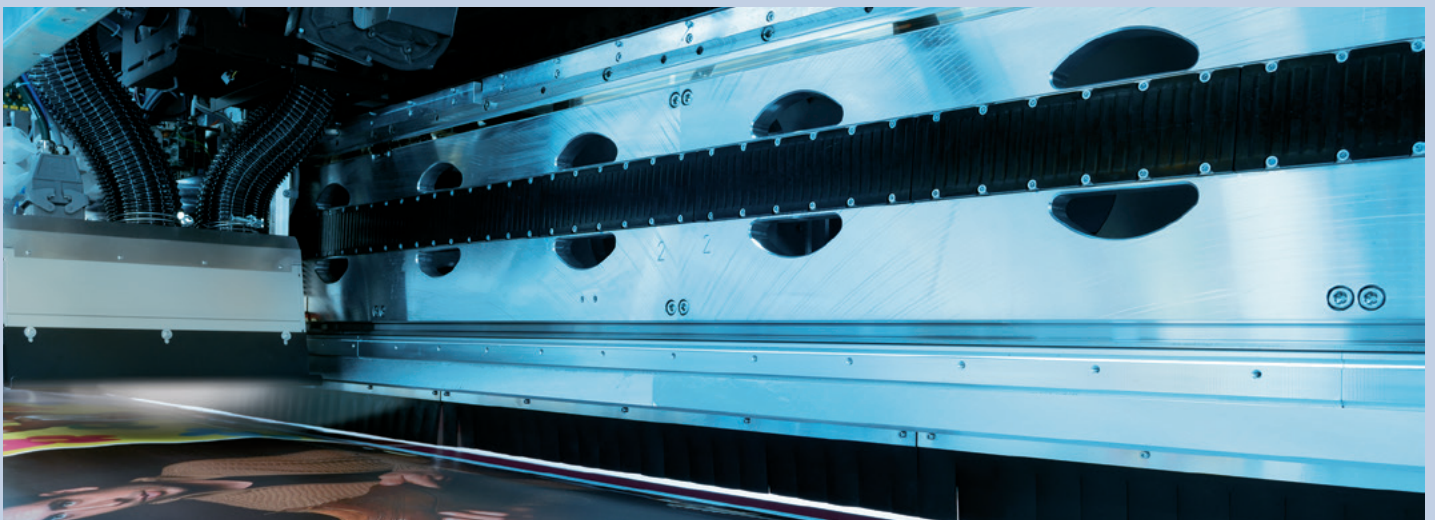


## The Rho P10 Series

The most versatile and productive  
10 picolitre UV printers in their class



The Rho P10 Series of inkjet printers defines a quality standard for industrial production level machines. There is no compromise between speed and quality. With the P10 you have both. Added to that, as with other Durst flatbed printers, they provide unrivalled versatility thanks to their ability to print on the widest range of rigid and roll media.

The Rho P10 Series provides a range of machines designed to ideally suit a wide range of applications. The range includes the world's most versatile 2m wide UV flatbed, the Rho P10 200, with its high level of modularity, and the Rho P10 250 continuous industrial UV flatbed printer with outstanding production efficiency and capability.

### The Rho P10 HS Series

The Rho P10 HS Series is the high speed version of the Rho P10 200/250. The Rho P10 HS features Quadro Array 10M printheads with double the number of nozzles in comparison to the Rho P10 200/250. They also incorporate LED Pin Curing in combination with conventional UV drying. The Pin Curing assists in making the higher speeds possible by sealing the drops before final drying.

The Rho P10 Series is designed for use by all large format printers who wish to provide a level of quality that will allow for close up viewing of a wide range of advertising and corporate promotional material. From indoor and outdoor signage to POP material, packaging and backlit luxury goods, the Rho P10 Series will provide a real business opportunity from their unrivalled versatility and productivity.

**Durst.** The industrial inkjet specialist

## Durst. The industrial inkjet specialist



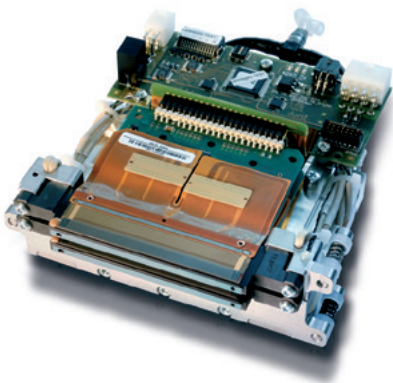
Since 1936 Durst has been responsible for pioneering better and faster methods of large format image reproduction. The company started with analogue photo technology and later moved into digital photo laser imaging. It was one of the first to develop large format inkjet printing, initially for the graphic arts market and, most recently, it successfully extended the technology to different industrial inkjet applications. Today, we see ourselves as an industrial inkjet specialist. Our new research building in Lienz, Austria, is evidence of our commitment to both the science of inkjet printing and our pursuit of new applications for inkjet printing.

Our machines have the ability to change existing markets and provide our customers with new business opportunities. We also make it our duty to ensure sustainable development, providing machines that are kinder to the environment and use much less ink and energy. We are concerned with minimising storage and wastage by providing the ability to print on demand across many different applications and industries.

By optimising the performance of our printers through both physical and chemical sciences, we succeed in providing our customers with a competitive and profitable edge. That is why we believe that Durst is: "The industrial inkjet specialist."

# Durst Rho P10 Series

## advanced printing technology



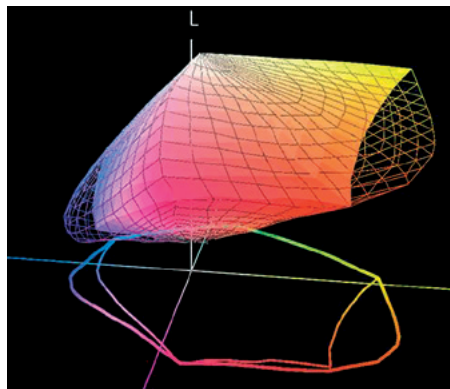
### Durst Quadro Array 10 printheads

At the heart of each printer are the new Durst 10 picolitre printheads. These create the stunning 'fine art' print quality with up to 1000 dpi resolution, finer tones and the option of additional light colours (light cyan and light magenta) for perfect colour reproduction, whilst maintaining Durst's outstanding levels of productivity and flexibility.



### Magnetic linear drive

The carriage transport is by advanced magnetic linear drive. This further ensures consistently accurate printing. Precision built by Durst for greater accuracy and reliability, the shaft on the Rho P10 is accurate to within  $2\mu$  tolerance, for example. The materials used in manufacture are of the highest quality which results in consistent high performance and the most reliable machines in the market. This ensures 24/7 production and minimum downtime.



### Variodrop technology

Durst's Variodrop technology does not only help with the increased productivity but also provides improved image quality which includes better colour gamut and less banding. Particularly at the highest production speeds, solid areas of colour are smooth whilst offering bright vibrant colours.

### Durst Rho Inks

Durst Rho inks offer perfect performance to the widest range of media. Their high level of pigmentation provides excellent coverage and cost efficiency as a result of requiring less ink per square metre.

### LED pin curing

The Rho P10 HS Series, with double the number of nozzles of the Rho P10 200/250, also features LED Pin curing in combination with conventional UV drying. The Pin curing helps to make the faster speed possible by sealing the drops of inks during the printing process, keeping the quality perfect, whilst the UV curing finalises the drying process.

## Rho P10 200/250 UV flatbed printers

The most versatile 10 picolitre in their class with outstanding productivity

The Rho P10 200/250 inkjet printers are the most versatile and productive 10 picolitre UV printers available. With Durst's latest Quadro Array 10 printhead technology, they offer unrivalled print quality without loss of speed.

The machines are manufactured with the finest components to Durst's own exacting standards. They combine compact, robust industrial design with production efficiency and reliability making them true industrial printers capable of the highest level of uninterrupted production with minimum downtime.

Engineered by Durst for performance, reliability and versatility, the key benefits of the P10 flatbed machines include:

- Latest Durst Quadro Array 10 printhead technology for outstanding print quality without loss of speed
- Continuous printing process maximises productivity (no pauses for masking found in a table system)
- Optional mechanical front stops enable parallel printing of boards side by side
- Roll to roll printing options
- Printing of light colours and process colour addition (orange and violet) without loss of speed
- Ease of use and fast maintenance optimises production efficiency
- Highest reliability in the market (24/7 production)



## Rho P10 HS Series UV flatbed printers

The highest productivity in their class with P10 "fine art" image quality

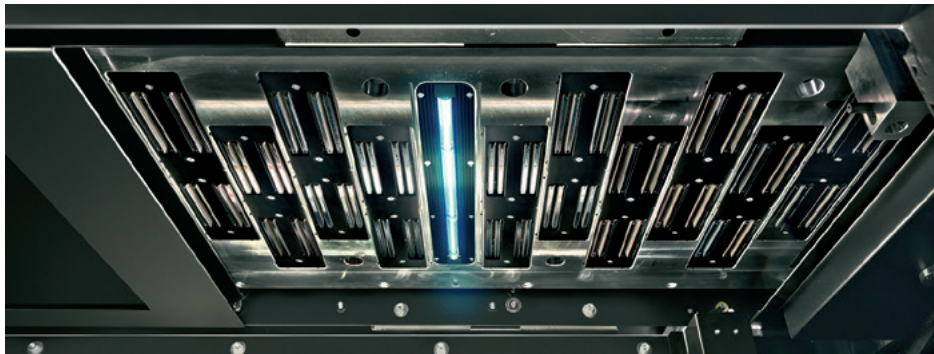
The Rho P10 200/250 HS flatbeds are in a new class of flatbed printers. They are the most productive in their class. They feature Durst's Quadro Array 10M printheads with double the number of nozzles in comparison to the Rho P10 200/250. They also have LED Pin curing in combination with conventional UV drying. The Pin curing helps to make the faster speed possible by sealing the drops of inks, keeping the quality perfect, whilst the UV curing finalises the drying process.

Durst Variodrop technology further contributes to the productivity and also enhances the image quality with better colour gamut and less banding.

The unrivalled P10 quality is now available from a printer that is capable of printing over 400 m<sup>2</sup>/h.

### Features include:

- Light colours (Ic and Im) for perfect colour graduation
- Durst Quadro Array 10M printhead technology for outstanding print quality without loss of speed
- Twice the number of nozzles for double the speed
- LED pin curing for sealing the print before final drying using a UV light source
- Optional mechanical front stops enable parallel printing of boards side by side
- Highest reliability in the market (24/7 production)
- Roll to roll printing options
- Highest reliability on the market (24/7 production)



Printhead showing LED pin curing

## Rho P10 160 UV flatbed printer

The most versatile and productive, entry level industrial flatbed with proven P10 quality

The P10 160 UV inkjet printer offers unrivalled media flexibility both in size and type, and the productivity is the same for rigid and roll material.

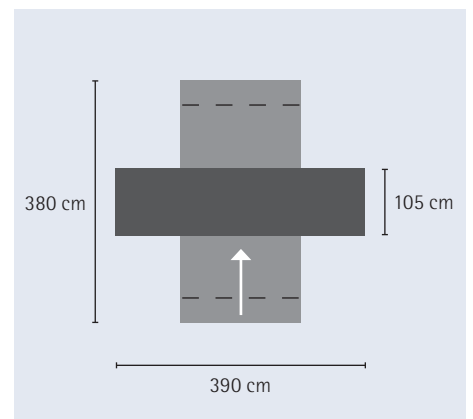
As a result of Durst's Quadro Array 10M printhead technology, the Rho P10 160, like all other Rho P10 models, provides unrivalled print quality whilst maintaining a high level of productivity. It is capable of printing up to 100 m<sup>2</sup> at 1000 DPI. With the best ink adhesion of any UV printer, media flexibility is further enhanced. It combines compact, robust industrial design with production efficiency and reliability.

Its small footprint, fine art printing quality and flexibility offers printers, sign companies and graphic studios the opportunity of entering the profitable industrial large format inkjet market.



### Features include:

- Latest Durst Quadro Array 10 printhead technology for outstanding print quality without loss of speed
- Continuous printing process maximises productivity (no pauses for masking found in a table system)
- Roll to roll printing option
- Printing of light colours or process colour addition (orange and violet) without loss of speed
- Ease of use and fast maintenance optimises production efficiency
- Highest reliability in the market (24/7 production)





## Rho P10 Series Typical applications

The "fine art" printing quality of all P10 printers allows for close up viewing of a wide range of promotional material. From the P10 160, the entry level machine to the P10 HS Series, all achieve the finest quality.

The productivity of, in particular, the P10 HS Series means that it is also capable of printing high volume items, as well as short run, even one offs, cost efficiently.

### Typical applications of all the printers in the Rho P10 Series:

- Backlits for windows or light boxes
- particularly for luxury goods including cosmetics
- Indoor and outdoor signage
- POP and POS material
- Small to medium sized packaging



The Rho P10 Series of inkjet printers defines a quality standard for industrial production level machines. They are the most productive 10 pl printers available and there is no compromise between speed and quality.

### This is what some of our customers say about the P10 Series

"The Rho P10 has given us a substantial commercial advantage. It provides consistent high quality print without sacrificing productivity and it has also brought down our print cost per m<sup>2</sup>."

**Graham Hawthorn,**  
C.E.O. of GBS South Africa

"We can offer direct printing onto any substrate with the quality level clients are used to from us, especially in the retail environment."

**Debbie Jaue,**  
co-owner of PE Plus Imaging, Canada

"Our clients trust us with their brand identities, so colour consistency is vital. We provide a broad range of different products to big brands across Europe, therefore it is essential to their brand teams that we match corporate colours every time."

**Mike Freely,**  
Managing Director of Octink in Brentford, England.

"There is nothing on the market that can match the quality of print of the Rho P10 250, whilst it still maintains a high level of productivity. It is ideal for backlits and window displays when close up viewing is required."

**Paul Martinovich,**  
Director of Visualcom in South Australia

# Technical Data

## Rho P10 200/250 Rho P10 200/250 HS

### General specifications

#### Dimensions:

**Rho P10 200/Rho P10 200 HS**  
Width: 540 cm (213 in.)  
Length with roll tables: 455 cm (180 in.)  
Length without roll tables: 180 cm (71 in.)  
Height: 196 cm (78 in.)  
Weight Approx. 3.500 Kg (7.800 lb)

#### Rho P10 250/Rho P10 250 HS

Width: 585 cm (231 in.)  
Length with roll tables: 455 cm (180 in.)  
Length without roll tables: 180 cm (71 in.)  
Height: 196 cm (78 in.)  
Weight Approx. 3.700 Kg. (8.200 lb)

#### Safety standards:

Complies with currently valid guidelines

### Printing specifications

**Resolution:**  
1000 dpi

**Colours:**  
Standard: CMYK  
Optional: Light Cyan and Light Magenta, White, Process Colour Addition (PCA)

**Inks:**  
UV-curable pigment inks for interior and exterior applications.

**Software/RIP:**  
Durst Rho Linux software for very fast processing with minimum storage capacity on the hard disk.  
External Caldera RIP Server (GrandRip+)

**Productivity:**  
- continuous printing at full width  
**Rho P10 200:** up to 205 m<sup>2</sup>/hour (2,200 sq.ft./hour)  
**Rho P10 250:** up to 240 m<sup>2</sup>/hour (2,500 sq.ft./hour)  
**Rho P10 200 HS:** up to 350 m<sup>2</sup>/hour (3,700 sq.ft./hour)  
**Rho P10 250 HS:** up to 400 m<sup>2</sup>/hour (4,300 sq.ft./hour)

### Media specifications

**Maximum printing width:**  
**Rho P10 200/200 HS:** 205 cm (6.5 ft.)  
**Rho P10 250/250 HS:** 250 cm (8 ft.)

**Maximum printing length:**  
Only restricted by media length

**Maximum thickness:**  
Standard: 40 mm (1.58 in.)  
Industrial Version: 70 mm (2,75 in.)

**Maximum media weight on belt:**  
Standard: up to 50 kg (110 lb)  
Industrial Version: up to 70 kg (154 lb)

**Smallest sheet size:**  
DIN-A3 – 29.7 × 42 cm (12 x 17 in.)

### Ambient conditions:

**Space requirement:**  
Min. 8 × 6 m (26 × 20 ft.)

**Max. sea level of installation:**  
2.400 m (8.000 ft) above sea level

**Temperature range:**  
+15 °C to +30 °C (+59°F to 86°F)  
non-condensing

**Relative air humidity:**  
25 – 80 % non-condensing

## Rho P10 160

### General specifications

#### Dimensions:

Width: 390 cm (154 in.)  
Length: 105 cm (41 in.)  
Length with tables: 380 (150 in.)  
Height: 196 cm (67 in.)

**Weight:**  
Approx. 2000 Kg ( lb)

### Printing specifications

**Resolution:**  
1000 dpi

**Colours:**  
Standard: CMYK  
Optional: Light Cyan and Light Magenta, White, Process Colour Addition (PCA)

**Inks:**  
UV curable pigment inks for interior and exterior applications.

**Software/RIP:**  
Durst Rho Linux software for very fast processing with minimum storage capacity on the hard disk.  
External Caldera RIP Server (CopyRip)

**Productivity:**  
Up to 100 m<sup>2</sup>/h (1,070 sq.ft./hour)  
- continuous printing at full width

### Media specifications

**Maximum printing width:**  
160 cm (62 in.), media dependent

**Maximum printing length:**  
Only restricted by media length

**Maximum thickness:**  
Roll to roll: up to 2 mm (0.07 in.)  
Boards: up to 50 mm (1.59 in.)

**Maximum media weight:**  
Roll to roll: up to 50 kg (110 lb)  
Boards: up to 50 kg (110 lb)

**Smallest sheet size:**  
DIN-A3 – 29.7 × 42 cm (12 x 17 in.)

### Ambient conditions:

**Space requirement:**  
Min. 8 × 6 m (26 × 20 ft.)

**Max. sea level of installation:**  
2.400 m (8.000 ft) above sea level

**Temperature range:**  
+15 °C to +30 °C (+59°F to 86°F)  
non-condensing

**Relative air humidity:**  
25 – 80 % non-condensing



### Durst Phototechnik AG

#### Large Format Printing

Julius-Durst-Strasse 4  
39042 Brixen/Bressanone, Italy  
P.: +39 0472 810111  
F.: +39 0472 830980  
www.durst-online.com  
info@durst.it

### Durst Phototechnik Digital Technology GmbH

Julius-Durst-Strasse 11  
9900 Lienz, Austria  
P.: +43 4852 71777  
F.: +43 4852 71777 50  
www.durst-online.com  
info@durst-online.at

### Durst Industrial Inkjet Application GmbH

Julius-Durst-Straße 12  
9900 Lienz, Austria  
P.: +43 4852 90900  
F.: +43 4852 90900 55  
www.durst-online.com  
diia@durst-online.at

The latest technical developments are constantly being incorporated into Durst products. Illustrations and descriptions are therefore subject to modification. All rights reserved on images and illustrations.

Durst® is a Registered Trade Mark

Copyright Durst Phototechnik AG  
IX26025-EN - 05/2014