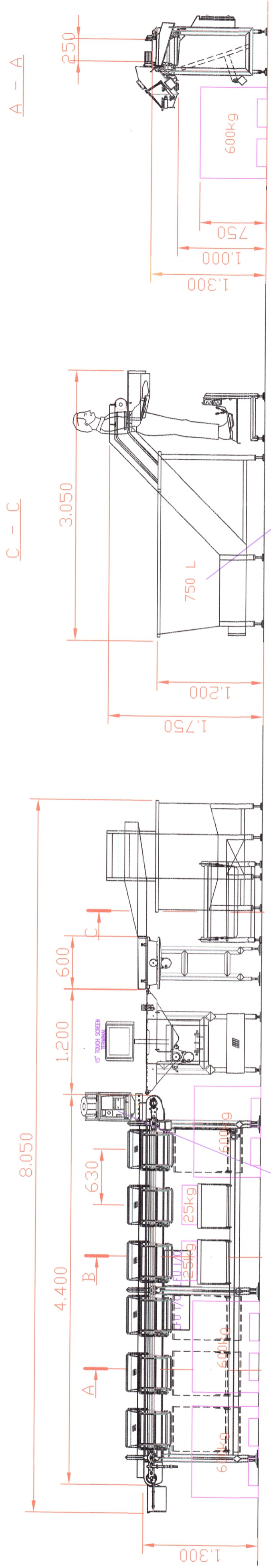
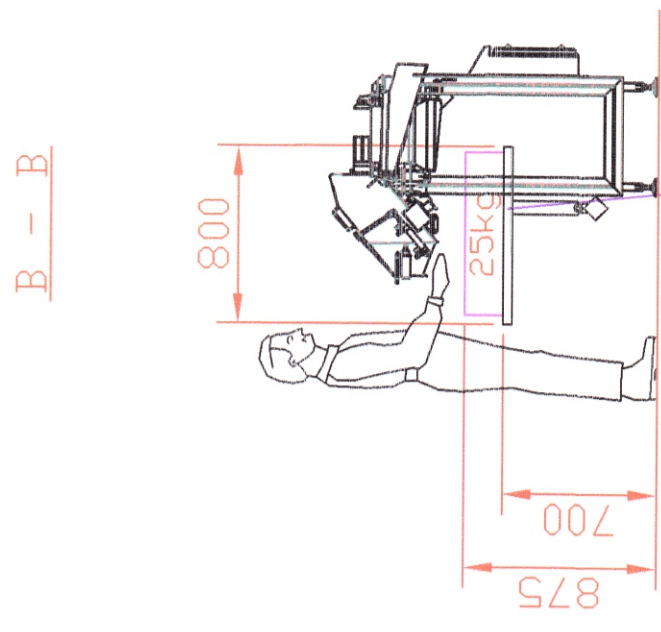


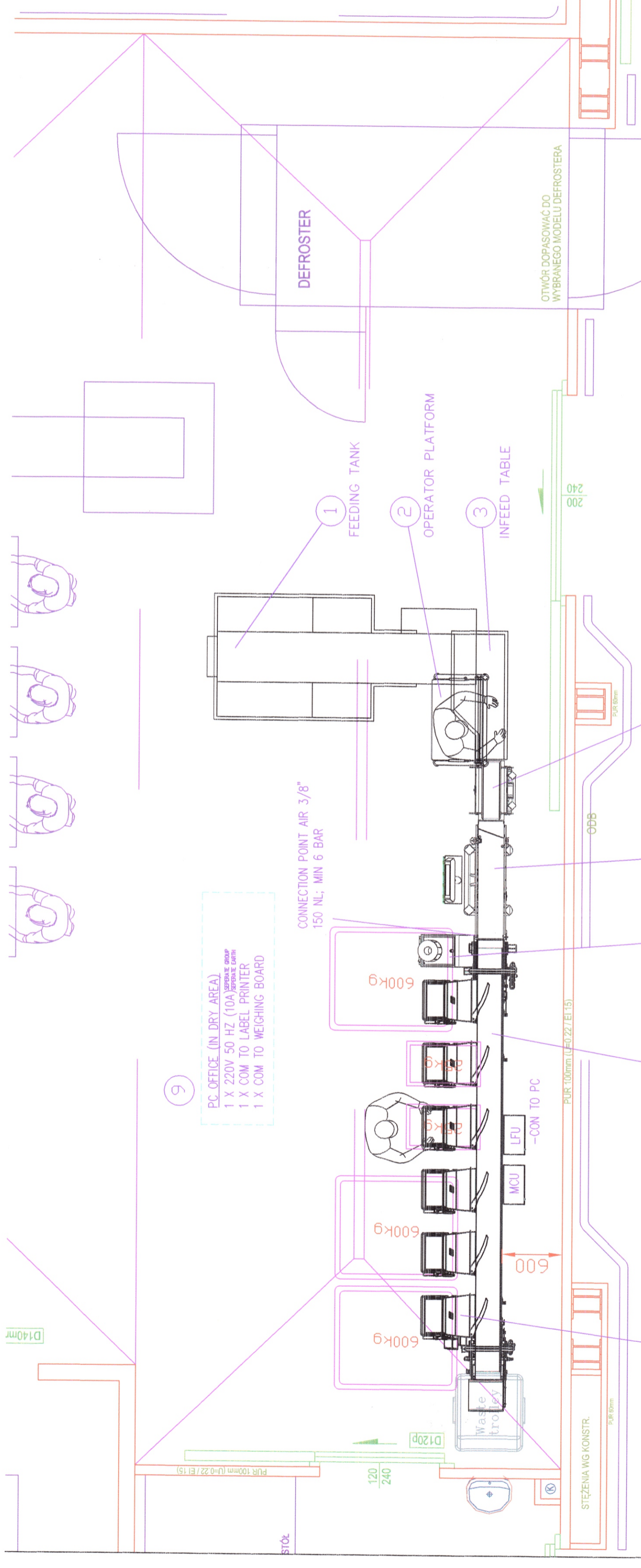
This drawing is our property and should not be reproduced or made available to third persons or competing firms without our permission.



LABEL PRINTER
 1 X 110 - 230V 50/60 HZ (10A)
 1 X 100M CABLE INCL.
 COMM. CABLE: CAT 5E
 (FROM LABEL PRINTER TO B'LOGIC PC)



PC OFFICE (IN DRY AREA)
 1 X 220V 50 HZ (10A) SEPARATE GROUP
 1 X COM TO LABEL PRINTER
 1 X COM TO WEIGHING BOARD



CAPACITY: FRESH FLATFISH
 -100 to 120 FISH/MINUT
 -MAX LENGTH 350 MM
 -MAX WIDTH 220 MM
 -ITEM WEIGHT 150 - 400 G

BAAADER®
 Food Processing Machinery

L4146-002-DS-001

DRL PR, POLAND
 Grader for Flatfish

drawn PCH
 date 25.08.2014
 checked
 scale 1:50