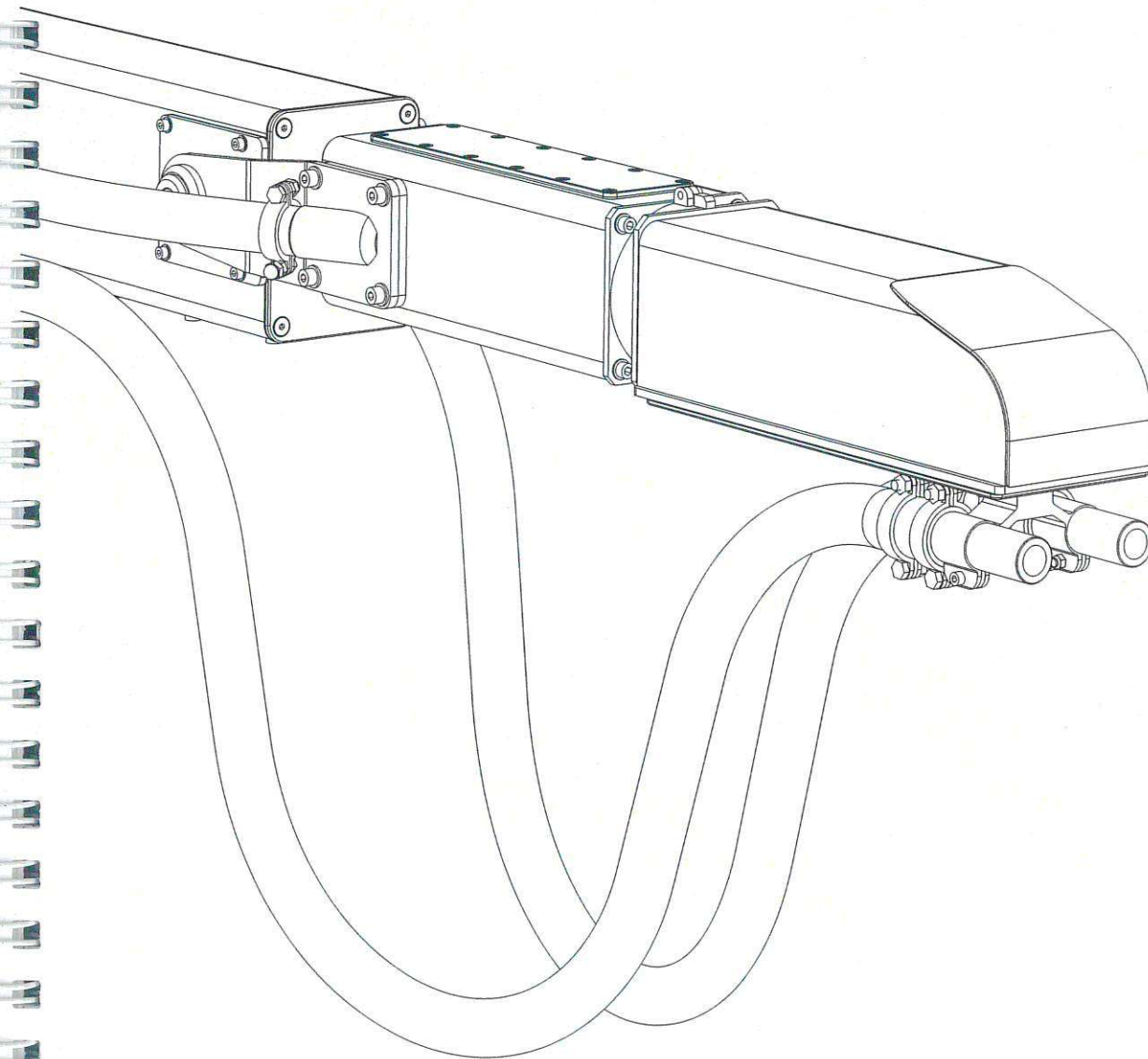
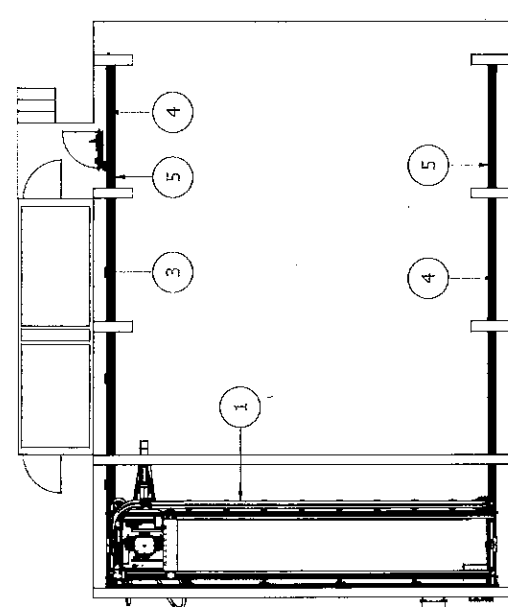
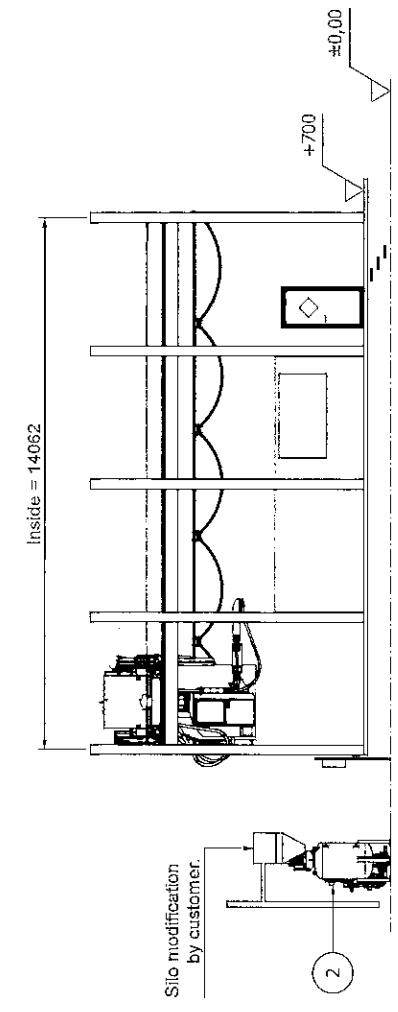
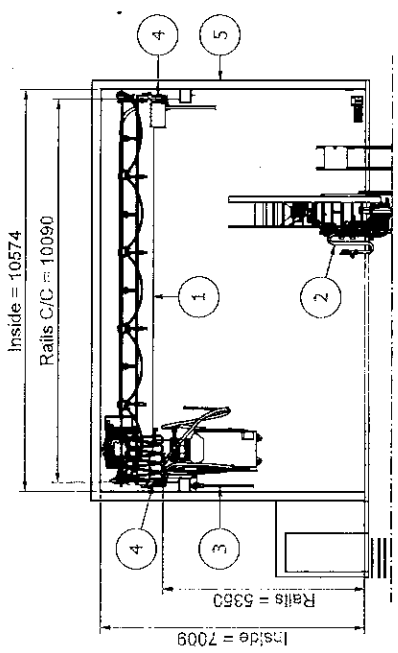


MECHANICAL SPARE PARTS





Item	Title	Part Number	Qty	Mass
5	RAILS	B2050881	0	1
4	ENCODER ASSEMBLY	B2052262	32.2	1
3	CABLE FESTOON ASSEMBLY	B2052259	14.2	1
2	BLAST POT ASSEMBLY	B2052958	82.9	1
1	B20CX CABIN ASSEMBLY G4	B2052268	6473.3	1

 Blashtman Robotree Ltd	Title: 1101111 Partner Servis Rev: 01 Date: 22.8.2023 Scale: 1:100 Author: [Name] Check: [Name] Appr: [Name]
--------------------------------------	--

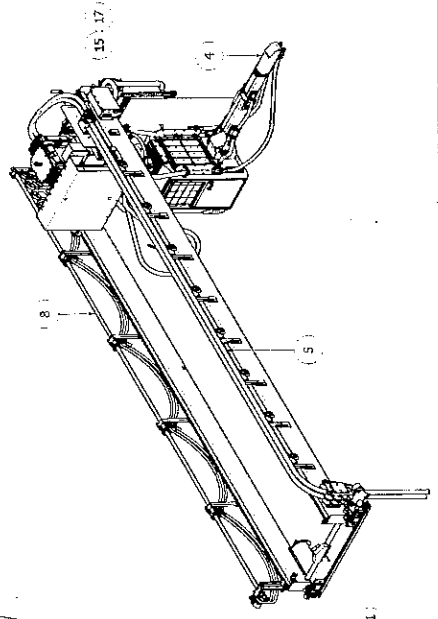
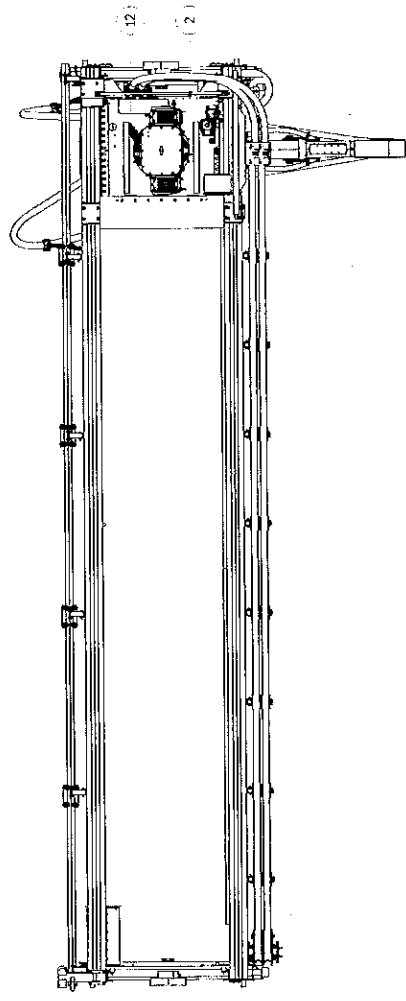
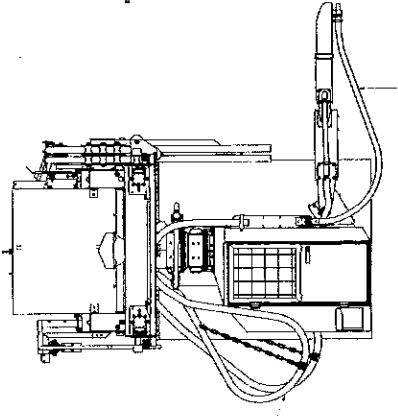
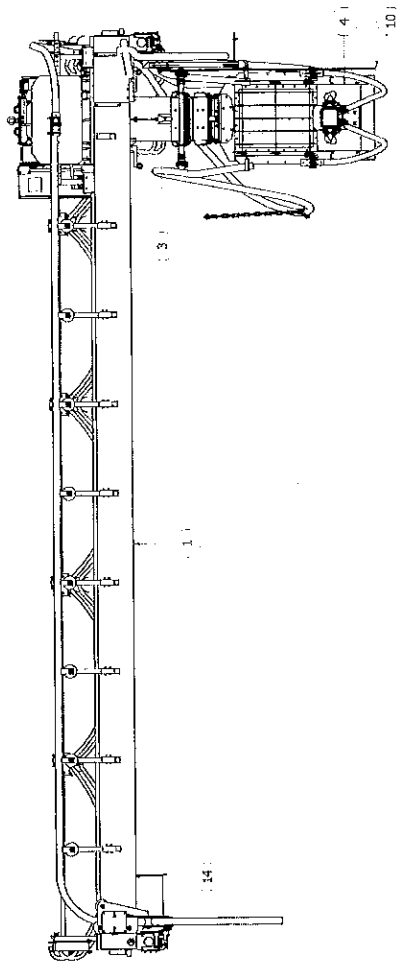
Name: B20CX ROBOT MAIN ASSEMBLY No. 1101111 Date: 22.8.2023 Scale: 1:100 Author: [Name] Check: [Name] Appr: [Name]	Qty: 1 Mass: 0.0 Kg
--	------------------------

Name: B20CX ROBOT MAIN ASSEMBLY No. B2052258 Date: 22.8.2023 Scale: 1:100 Author: [Name] Check: [Name] Appr: [Name]	Qty: 1 Mass: 0.0 Kg
---	------------------------

Dimensional tolerances are given in millimeters (mm) unless otherwise specified.
 All dimensions are to be taken from the drawing unless otherwise specified.
 The drawing is the property of Robotree Ltd and is not to be reproduced without written permission.
 Robotree Ltd, 1101111 Partner Servis, 22.8.2023, Scale: 1:100, Author: [Name], Check: [Name], Appr: [Name]

CONFIDENTIAL

DATA PROTECTIC/ISO 15015



18	HOSE CLAMP 070-90	102141	2
17	AIR / WATER HOSE	100848	1
16	COOLER	X00394	1
15	ELECTRICAL CONNECTOR	82050069	1
14	COVER BOX		1
13	TRAVEL ROLL'S GUARD	82051082	2
12	ASSEMBLY		2
11	TOOTHBELT SUPPORT ROLL	82010979	4
10	ELECTRIC CABLE ATTACHER	82009484	1
9	ENCODER BOX	82029800	2
8	RUBBER COVER	82052878	2
7	CABLE WAGON PUSHER, RIGHT	82013903	1
6	CABLE WAGON SUPPORT	82052296	1
5	NOZZLE HOSE	82051176	1
4	SAUND HOSE CARRIAGE	82052835	1
3	SUPPORT		1
2	BLAST HOSE BRIDGE SUPPORT	82052294	1
1	CABIN BUCK	82049772	1
	CABIN TELESCOPE BUCK	82052275	1
	CABIN SLIDGE ASSEMBLY, LEFT	82049806	1
	BRIDGE ASSEMBLY 10090	82052269	1

0	Varies	1,00
45		0 m
17.2		1
7.9		2
0.2		4
2.3		1
17.9		2
21.4		2
34.7		1
66.8		1
23.3		1
149.4		1
154.1		1
328.2		1
1029.2		1
989.6		1
3127.9		1

Blashtman
 Robotics Ltd.
 10011, Rammer Service
 31.10.2023
 1:30
 69738.13
 B2052268