





DPX-20060 - BES12S

MICROGRID SYSTEM

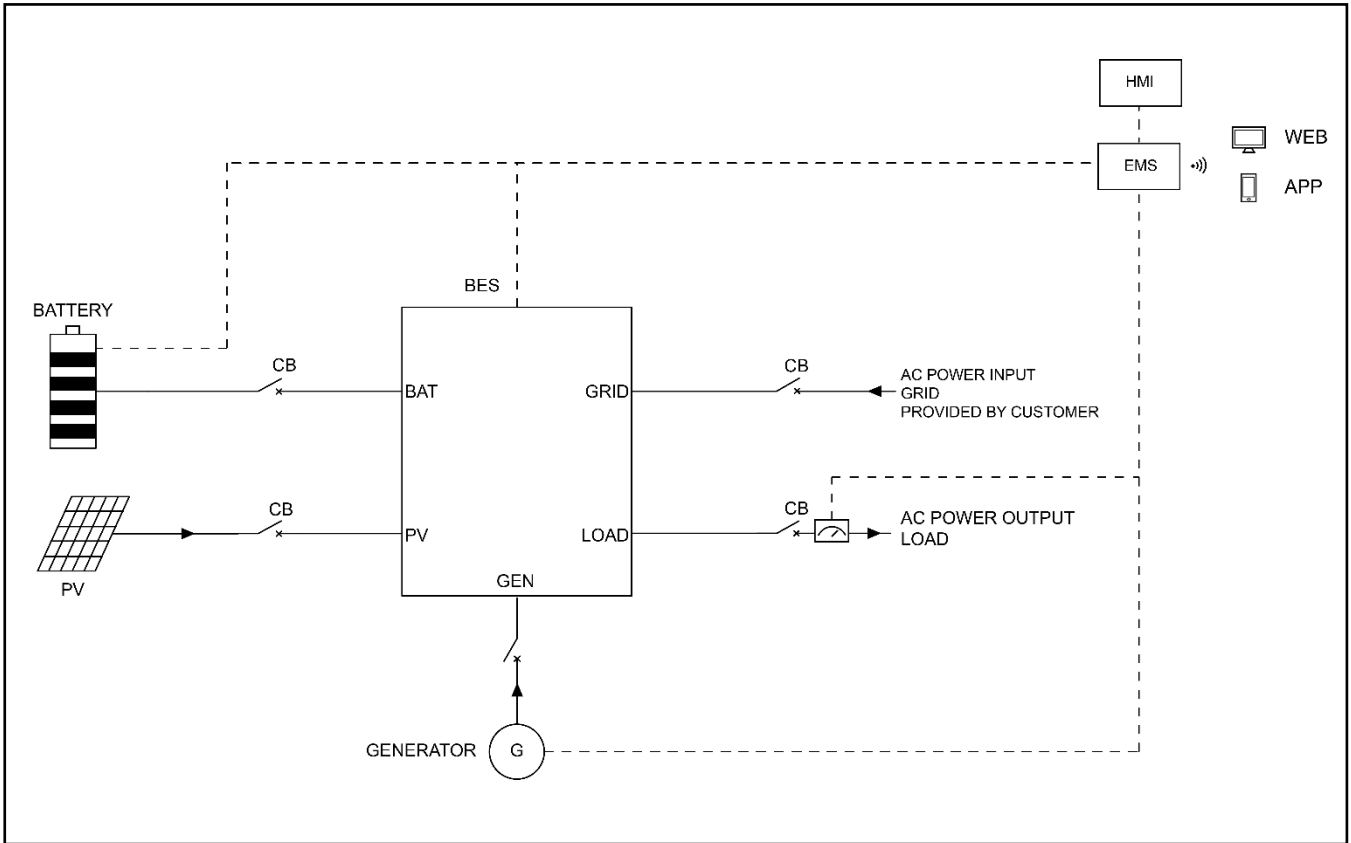
SPECIFICATION



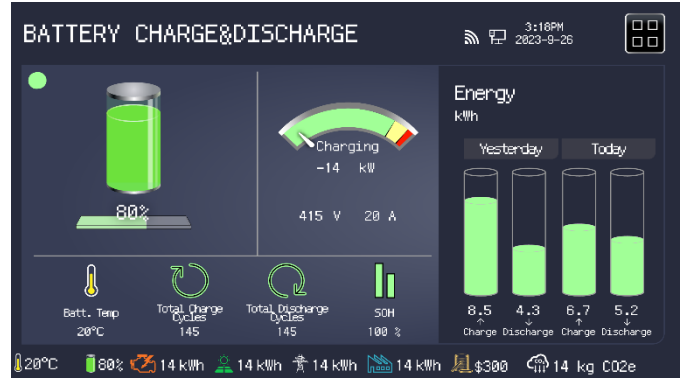
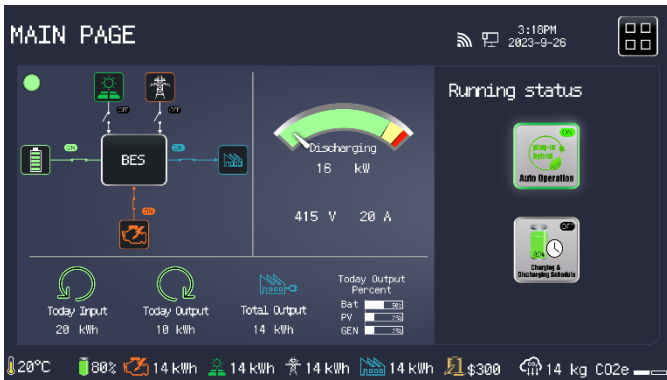
BES12S Hybrid Energy System

Item	Unit	Data		
Output power	kVA/kW	12/12		
Frequency	Hz	50		
Phase	P	1		
Power factor	PF	1		
Dimensions	mm	2100 x 1150 x 1700		
Dry weight	kg	1100		
40" Loading	Qty	11		
Noise level(hybrid mode)	dBA@7m	58		
Noise level(battery mode)	dBA@7m	50		
Voltage	AC V	220	230	240
Current	A	55	52	50
Wiring port		L、 N、 PE		
Voltage regulation range		±1%		
Load adaptation characteristics		Inductive load, resistive load		
Power connection input		1P Socket, 63A Busbar, 63A		
Power connection output		1P Main load socket, 63A Busbar, 63A 1P Socket, 16A		
Certification standards		     UN 38.3 IEC 62619 IEC 62477 IEC 62933-2-1 CE Declaration of Conformity VDE-AR-N 4110 EN-50549-1 UL 1973		

System working principle



Intelligent Energy Management



DC/AC System		
Rated power	kVA/kW	12/12
Output voltage	AC V	240
Overload capability		125% last 10mins, 150% last 1min

Grid Power Input		
Rated power	kVA/kW	12/12
Phase	P	1

PV System		
MPPT rated power	kWp	16
Rated voltage	DC V	150-425
Solar panel voltage	DC V	250
Solar panel capacity	kWp	2.5

Battery System		
Battery type		LiFePO4
Battery capacity	kWh	20
Rated voltage	DC V	40-60
Cooling system		Liquid-cooled
Max charging rate		1C
Max discharging rate		1C
Recommended discharging rate		1C
Battery cycle life		>8000cycles(90%DOD, 1C)

Diesel Generation System		
Engine brand / model		Kubota / D1803
Alternator brand		STAMFORD
Rated power	kVA/kW	18/14
Rated voltage	AC V	240
Phase	P	1
Fuel tank capacity	L	200

CONTROL SYSTEM		
HMI control panel	inch	10.3" Touchscreen
Communication interface		WAN/WIFI/SIM
Cloud services		APP/WEB

* Data is subject to change without prior notice as new products are always developed.