

Cummins Generator

Prime: 320KW/400KVA
Standby: 352KW/440KVA

Technical Data

Model		440kva
Prime power	kva	400
	kw	320
Standby power	kva	440
	kw	352
Rated voltage line to line	V	400
Rated current	A	577
Maximun sound level	dB@7m	75

Engine-Cummins

Model		QSNT-G3
Aspiration		4 cycle,in-line,6 cylinders,turbocharged,air to air
Fuel system		Direct Injection Cummins PT
No. cylinders		6
Displacement	L	14
Bore*Stroke	mm	140x152
Compression ratio		16.3:1
Rated speed	r/min	1500
Governor		Electric system
Engine wet weight	kg	1460
Engine idel speed		575-650
Fire order		1-5-3-6-2-4
Start Motor	V	24

Exhaust System

Max exhaust back pressure	kPa	10
Standard exhaust pipe diameter	mm	127

Air intake System

Max inlet pressure (Dirty air)	kPa	6,2
Max inlet pressure (Clean air)	kPa	3,7

Fuel System

110% load(Standby power)	L/h	81,3
100% load(Prime power)	L/h	70,5
75% load(Prime power)	L/h	52,3
50% load(Prime power)	L/h	35,8
25% load(Prime power)	L/h	20
Fuel capacity for silent genset	L	450
Fuel capacity for open genset	L	600

Lubrication System

Idle speed oil pressure	kPa	103
Governed speed oil pressure	kPa	241-345
Max Oil temp	°C	121
Oil capacity	L	38,6

Cooling System

Coolant capacity--Engine only	L	21
Max coolant friction head to engine	Kpa	46
Max water temp standby/prime powe	°C	104/100

Standard Features

Engine(Cummins ENGINE)	●
Radiator 50°C max,fans are driven by belt	●
24V charge alternator	●
Alternator: single bearing alternator IP23	●
insulation class H/H	●
Standard auto control system	●
One set of air filter, fuel filter, oil filter	●
Main line circuit breaker / ACB	●
Base fuel tank	●
Two 24V batteries, rac and cable	●
Exhaust system(Ripple flex exhaust pipe)	●
Exhaust siphon, flange, muffler	●
User manual	●
Battery charge	●
Water heater	●

Options

Alternator heater	<input type="radio"/>
PMG	<input type="radio"/>
Water oil separator	<input type="radio"/>
Daily fuel tank	<input type="radio"/>
Remote control panel	<input type="radio"/>
Automatic transfer switch/ATS	<input type="radio"/>
Switch box	<input type="radio"/>
Standard: ●	Options: ○

Alternator

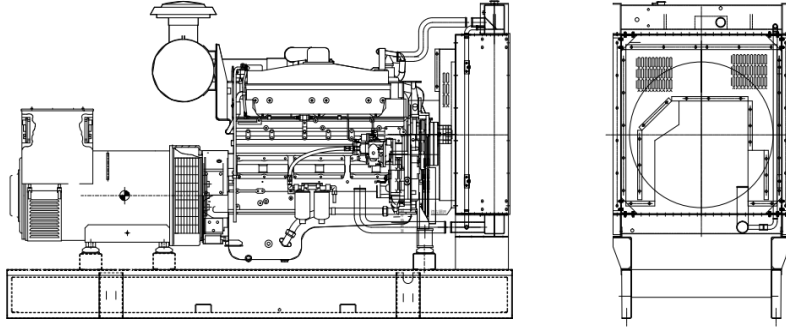
Model		TAL-A473-A
Alternator Brand		Leroy Somer
Phase		3
Voltage	V	400
Wiring Type		6 wires
Bearing		1
Power factor		0,8
Frequency	Hz	50
Prime power	KVA	410
Exciter Type		Brushless, self-excitation
Voltage regulation	%	±0.5
Protection Grade		IP 23
Insulation grade		H

Controller-Deepsea

Model	DSE 7320
7 digital display	
Built-in governor and AVR control	
Base load (kW export) functionality	
Mains (utility) de-coupling protection	
Generator power (kW, kVA) monitoring	
Overload (kW & kV Ar) protection	
Emergency stop	
Start failure	

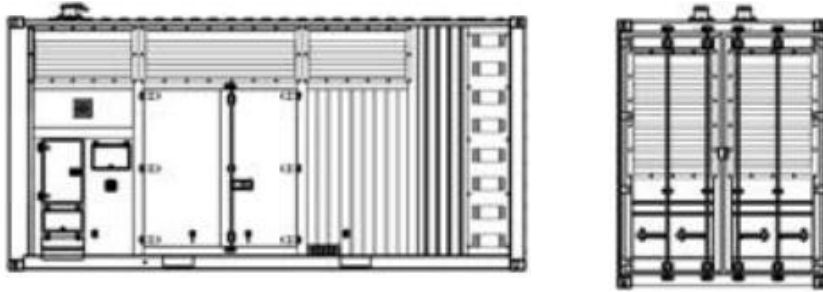


Unit Dimensions(Basic unit)



Open Type

L*W*H	mm	3000x1250x1900
Weight	kg	3500



Silent Type

L*W*H	mm	4150*1480*2350
Weight	kg	4168

Warranty

Cummins Engine

12 months from date of purchase or 1000 hours.

Generator

12 months from date of purchase or 1000 hours

(whichever comes first).