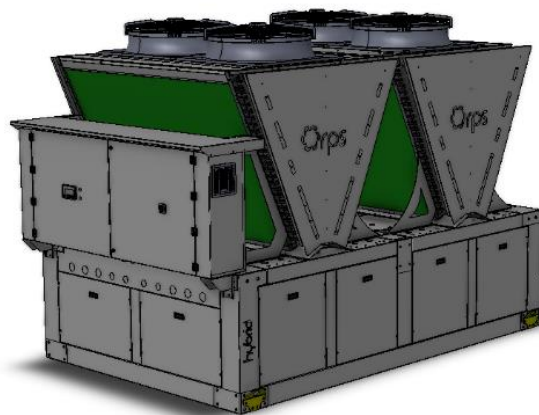


HAS 340_S

Air cold water chiller

Cooling capacity 270 kW

- Air cold water chiller with A2L refrigerant gas.



DATI TECNICI

Model		HAS 340_S
Nominal cooling capacity ⁽¹⁾	kW	273,75
Power absorbed ⁽¹⁾	kW	86,30
Current absorbed ⁽¹⁾	A	154,08
EER ⁽²⁾	W/W	3,17
Ambient operation limits	°C	-10...+45
Scroll compressors		
Compressors no.		4
Circuits no.		2
Steps		4
Refrigerant gas		
Type		R454B
GWP		467
Safety group		A2L
Fans		
Type / no. / diameter	mm	Axial / 4 / 710
Flow rate	m ³ /h	68.000
Evaporator		
Type		Shell&Tube
Nominal flow rate ⁽¹⁾	m ³ /h	46,80
Centrifugal pump		
Available pressure ⁽¹⁾	bar	2,30
Tank		
Capacity	l	500,0
Expansion vessel capacity	l	2 x 18

Hydraulic connections		
Inlet / Outlet	BSP	3"
Noise data		
Sound power level	dB(A)	95,2
Sound pressure level ⁽³⁾	dB(A)	67,2
Electrical Data		
Voltage supply	400V 3ph+N 50Hz +PE	
FLI – Max power absorbed	kW	163,7
FLA – Max current absorbed	A	318,0
LRA – Peak current	A	390,0
Dimensions		
Size	HYBRID 1	
L – Length	mm	2.210
P – Width	mm	3.250
A - Height	mm	2.400
Weight	kg	3.250

(1) Cooling capacity calculated with water IN/OUT 12/7°C, and ambient temperature +32°C.

(2) EER efficiency energy ratio calculated with compressors, fans and pumps.

(3) Sound pressure level derived from measurements made according ISO 3744, refers to a distance of 10 meters from the unit in free field conditions with direction factor 2

OPTIONS included:

LW low water temp -12°C

LA low amb temp -10°C (max 35°C)

EC axial fans; Predisposition for external plug 5 bar pump

32A pin socket installed on the rear side

Shell & tube flanges connections (to be arrive at the whole frame limit)

Rental frame

RAL6018 for the condensing coil cover panels (for IKG);

HP & LP gauges

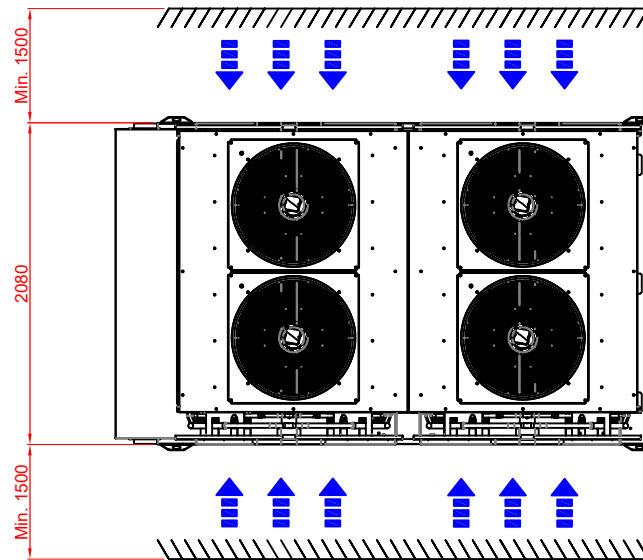
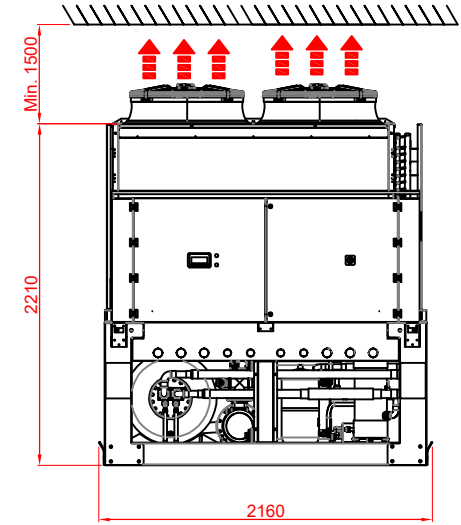
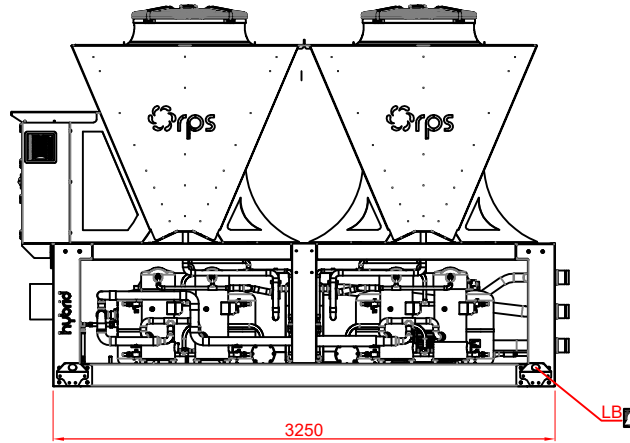
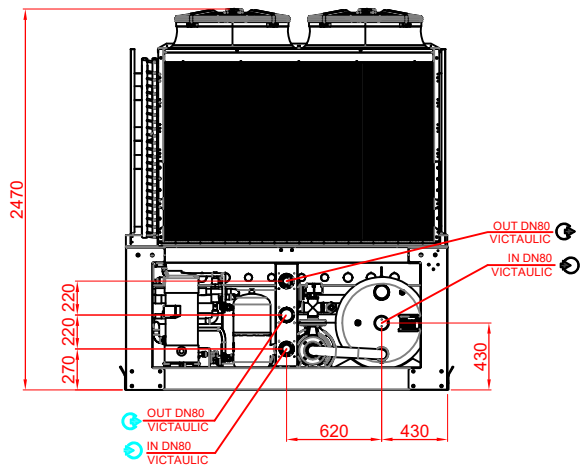
HP & LP transducers

water manometer gauge

differential pressure switch

manual water by pass

comp jackets



	Spazi di rispetto - Installation area respect
	Flusso aria condensazione - Condensing air flow
	LB - Punto sollev. con barre - Lifting bars positioning
	IN - Inlet recovery heat connection
	OUT - Outlet recovery heat connection
	IN - Inlet hydraulic connection
	OUT - Outlet hydraulic connection



RPS Cooling S.R.L.
Via Veneto 12/B
46029 Suzzara (MN)
Italy

Tel.: +39 0376 1430010
web
www.rpscooling.com
sales@rpscooling.com

Name: D.O.	Apr. P.R.	
Date :	15/04/2022	REV.00
	Unit :	
	HA225eNP3S000000-AZSM-RT-016	

Dimensional drawing no.:	DM1001152
HA225eNP3S000000-AZSM-RT-016	

Project no.:	00478_22	
Total page	1	Page nr.
	1	1