

Grafisk Maskinfabrik A/S

Investment proposal



**CONVERTING
MADE EASY**
www.gm.dk

Client:

Nemprint

Date: 18/09/2020

DC350NANO

- All you need to start label production
- Ideal for entry-level digital label printers
- Lamination, die-cutting and slitting
- High value for money
- Fast finishing up to 45 m/min in semi-rotary
- Optional buffer module and Gap Master
- Online support and remote diagnostics

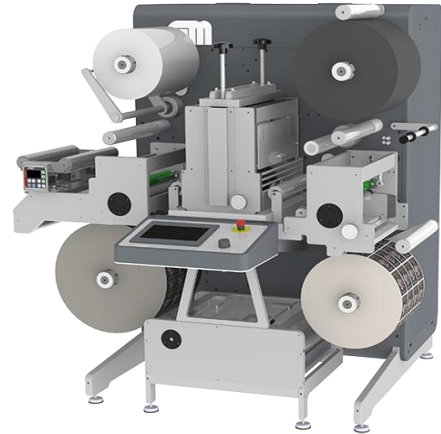


Illustration only. Does not necessarily reflect the quoted configuration.

Ultra compact, cost-effective unit for self-adhesive lamination, semi-rotary die-cutting and length slitting (crush) of label web widths up to 350mm. Ideal as a converter for a small digital press or as a backup to an existing finishing line.

Basic configuration:

- Completely servo driven line with tension control
- 350mm web width, speed 72m/min (full rotary), 45m/min (semi-rotary)
- Internal unwind for a max roll diameter of 500mm. 3"/76mm air shaft
- BST ultrasonic web guide with or without splice table
- Self adhesive Lamination Station
- Diecut repeat range from 2"-22" in semi-rotary mode
- Dispro - distortion software - for re-use of existing die plates
- Build-in label counter
- Runs offline or inline with digital printing engine
- Modern single sided frame for easy threading and maintenance
- Waste rewind with stripping roller
- Length slitting station with 3x crush knives
- Single rewind for a max roll diameter of 400mm with independent tension control
- Graphical touch screen with web up diagram, label counter, meter counter, alarms
- Optional GM VPN GATEWAY enabling remote service and support through unified, uninterrupted and secured internet connection

Conditions

SUBSTRATE SPECIFICATIONS

Material thickness: 50µm-200µm

Recommended substrates:

Paper:

UPM Raflacoat Plus PEFC RH9X HD70 White

PP:

UPM PP White RP37 HD70 White

TIME OF DELIVERY

TBD

TERMS OF DELIVERY

The converter, packed on strong wooden pallets, will be delivered according to Incoterms 2010

Local Government taxes, VAT, and fees are not included.

Customs handling fees are not included.

Crane/forklift assistance for unloading from lorry and internal transport is not included.

Local ventilation and dusting are not included.

Electrician needed for connecting the converter to the main power supply is not included, and according to the rules in force this has to be done by a local electrician.

TERMS OF PAYMENT

30% binding down payment upon investment confirmation signed and returned to Grafisk Maskinfabrik A/S.

70% payable prior to shipment from Denmark.

All terms of payment are to be understood net cash.

If payment has to be effected through a finance company and the commissioning procedure has to be accepted by the Buyer in order to release transfer of payment to Grafisk Maskinfabrik A/S, this commissioning has to take place at Grafisk Maskinfabrik' s premises prior to shipment. Payment to be effected against shipping documents

Conditions

VALIDITY

Prices quoted in this investment proposal will be valid for a period of 30 days counting from date of this proposal.

CONDITIONS OF SALES AND DELIVERY

The machine is sold under General Conditions for the supply of Plant and Machinery for Export prepared under the auspices of the United Nations Economic Commission for Europe, Geneva, March 1953, (ECE 188), incl. of Addendum of 1992 with the following amendments:

13.1: The Danish Maritime and Commercial Court (So- & Handelsretten) in Copenhagen shall have exclusive jurisdiction to settle any dispute which may arise out of or in connection with this Contract.

13.2: See 13.1.

The General Conditions (ECE 188) and Addendum of 1992 are not enclosed with this document, but can be viewed here:

www.gm.dk/articles/terms-conditions/

TERMS

Prices are subject to Grafisk Maskinfabrik's "General Conditions of Sale and Delivery", specifying terms of delivery, installation, etc.. Prices quoted are informative only and we reserve ourselves the right of amending prices and specifications without any further notice.

The prices quoted will apply where extra units and accessories are ordered for delivery with the main press. Accessories and parts ordered and shipped separately will be subject to an extra charge for normally 3% to cover packing and handling up to FCA, Birkerød, Denmark, (Incoterms 2000), excl. of fitter charges.

Conditions

MACHINE ACCEPTANCE

Machine acceptance by customer to take place at customer facility.

WARRANTY

Grafisk Maskinfabrik gives a warranty of 12 months on parts manufactured in our own factory. In connection with parts of foreign origin (non-Grafisk Maskinfabrik parts), Grafisk Maskinfabrik passes on the conditions of warranty stipulated by Grafisk Maskinfabrik's sub-suppliers. By one shift working, the warranty period is 12 months, by double-shift working, the warranty period is 6 months (in both cases max. 2.000 working hours). Fitter assistance during the warranty period is free of charge. However, travelling costs and accommodation in connection with a warranty visit will be charged according to our normal rates. Print and cutting accuracy may change with speed and material.

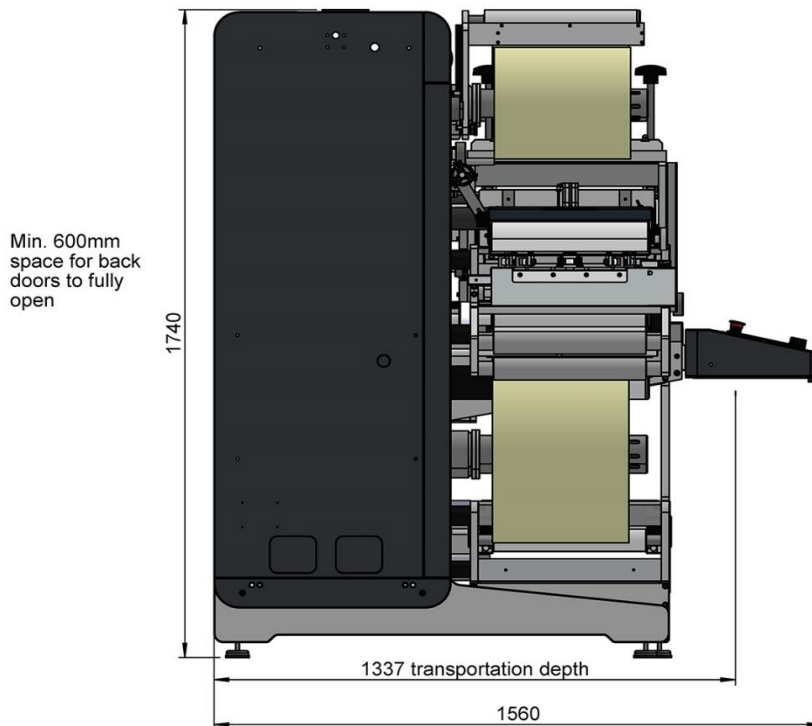
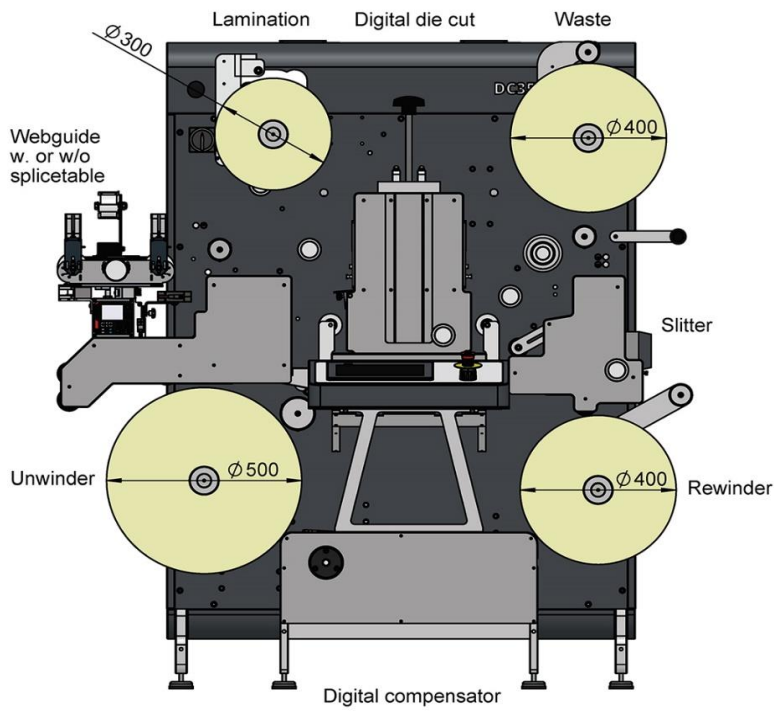
Grafisk Maskinfabrik A/S

Bregnerødvej 92

3460 Birkerød, Denmark

Email: gm@gm.dk. Ph:+45-45812300. Web www.gm.dk

DC350NANO Layout



General requirements:

Power/Air 3x 400V+N+PE, 16A Air: 6bar, <20l/min
 Leak current min. 300mA RCCB class A
 Weight: 1200 kg
 Dimensions: 1,63m x 1,56m x 1,74m