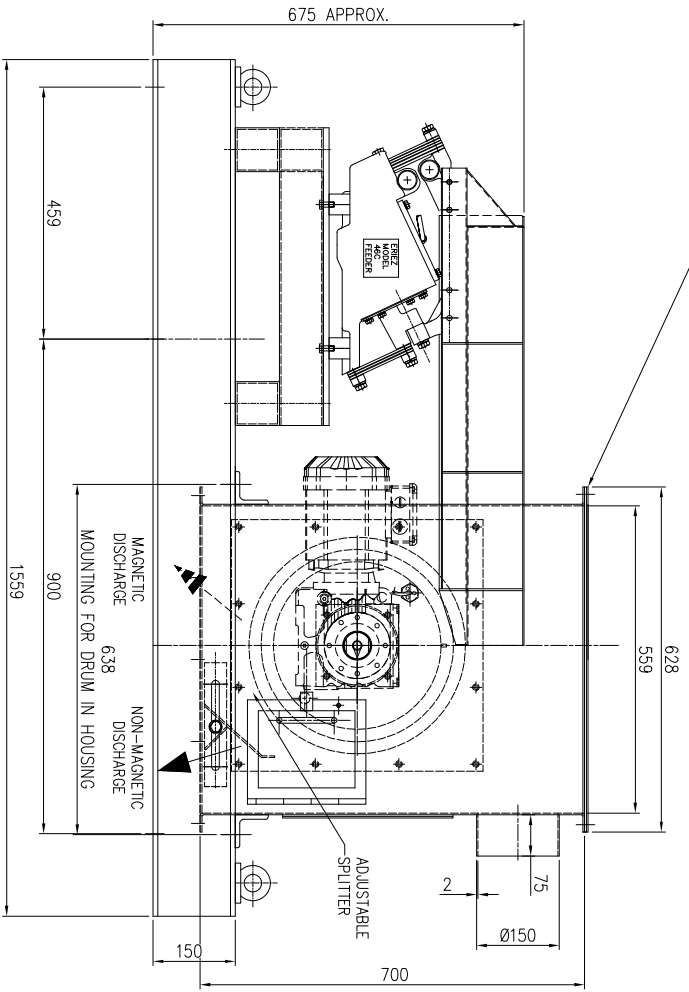
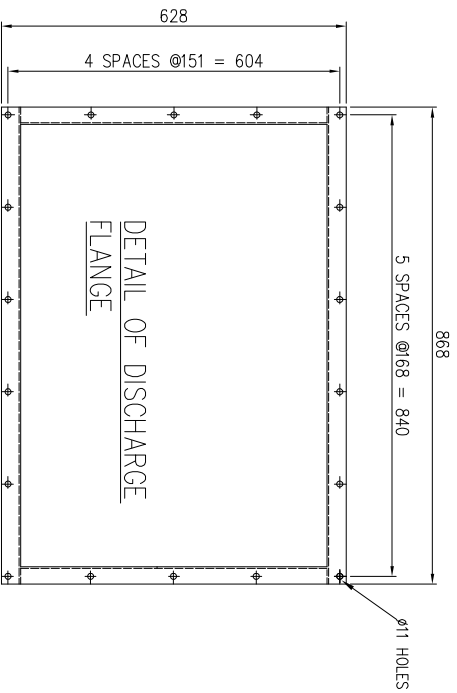
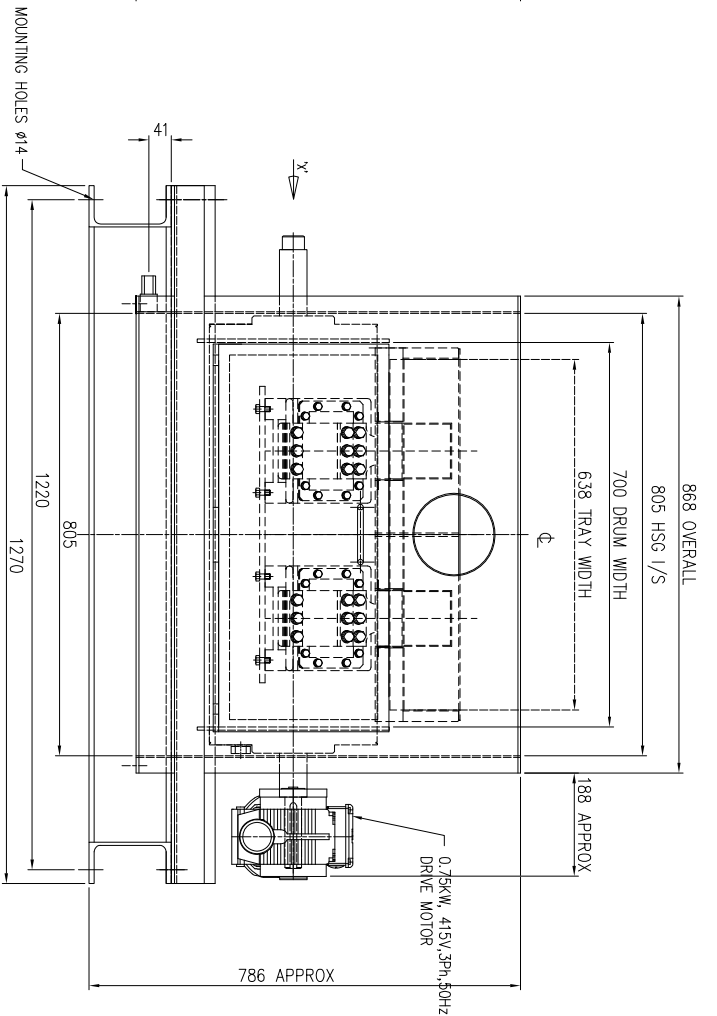


MOTOR SUPPLY: 400V 3PH 50HZ
 MAGNET ELEMENT: RRS (COPPER & M.STL. WIRE WRAP)
 MATERIAL CONSTRUCTION: DRUM-STN.STL.; HOUSING & FRAME-MILD STL.; FEEDER TRAY-SIN.STL
 FINISH: EREZ STANDARD ORANGE RAL2008
 WEIGHT: 650 KG. APPROX.
 HOUSING & TRAY INTERNAL WELDS TO BE CRACK & CREVICE FREE




 PRODUCT.
 FERROUS.

THE UNIT IS NOT SPECIFICALLY DESIGNED FOR THE FOOD INDUSTRY.



REV.	ZONE	REVISION	DRAWN	CHECK	DATE
02	-	ADDED USER EXPANSION PORT AND 1.2MM WALL THICK LG	WU		09-09-15
01	ZONE	COPPER & M.STL. HOUSING & FRAME-MILD STL.; FEEDER TRAY-SIN.STL	WU		07-09-15



ERIEZ MAGNETICS EUROPE LTD
 BRIDGE ROAD
 BETHUNE, CROFTVILLE, CB3 8TC
 TELEPHONE: (+44) (0)29 208 68501
 FAX: (+44) (0)29 208 51314
 E-Mail: eriez@eriezurope.co.uk

PRODUCTION	— ⊕ —	DRAWN	WU
SCALE	1 : 5	CHECKED	JD
STANDARD MANUFACTURING TOLERANCE		DATE	4-9-15
ALL DIMENSION IN MILLIMETERS		TEST WEIGHT:	KGS

OUTLINE OF 305 DIA x 700 DIH
 MODEL H + DUAL HC46 FEEDER
 CA1-15- 17552

REVISIONS	
01	02