



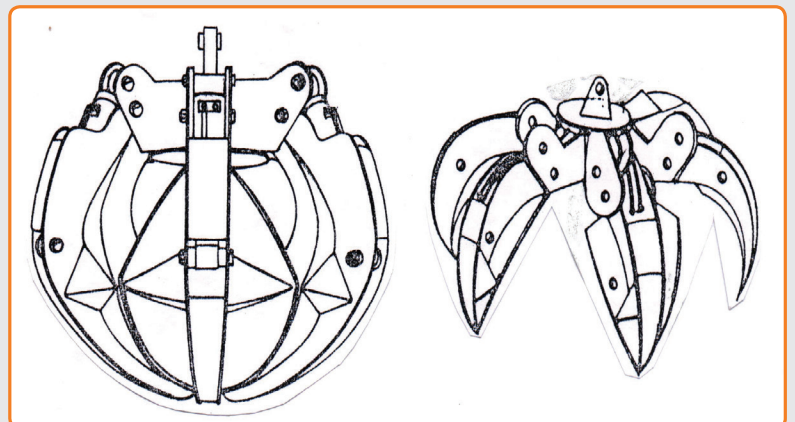
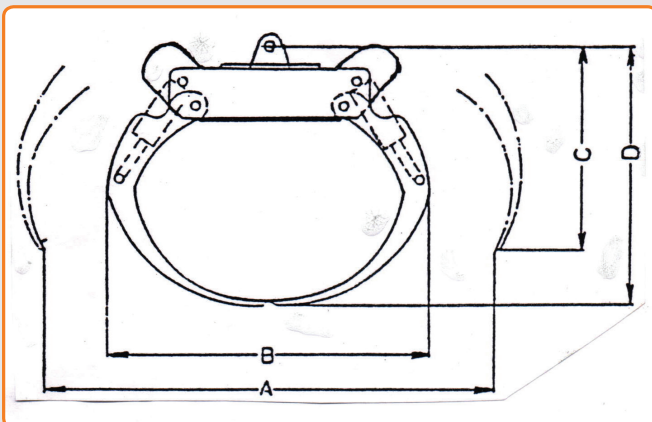
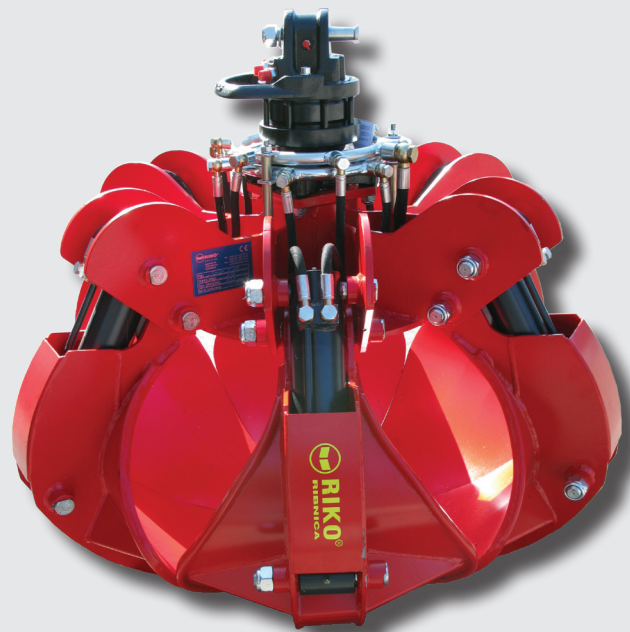
The **POLIP** is a grabber with six shovels (number of shovels depends on the model), which is used on hydraulic loaders for loading scrap iron, rocks, and similar loose material. The grabber has to be attached onto an elevator arm with a connecting link. It is even better if the elevator is equipped with an R-3 rotator. In this case, the elevator-rotator and rotator-grabber connecting link is required.

Additional equipment:

- Rotator



Rotator



DIMENSIONS (mm)			
A	B	C	D
1550	1100	600	800

POLIP	Unit	3M
Number of shovels	pc.	6
Volume of closed grabber	l	250
Mass	kg	285
Operating pressure	bar	270
Allowed load	kg	1000