



**MAGNI**  
TELESCOPIC HANDLERS

**AERIAL WORK  
PLATFORMS**



# ELECTRIC SCISSOR LIFTS

Magni's electric scissor lifts offer indisputable productivity together with extreme ease of use. The machines' efficient design means less scheduled maintenance and provides a quieter, emission-free worksite. All components undergo Magni's strict quality and safety controls. With working heights ranging from 5 to 15.7 metres, they are the ideal product for both indoor and outdoor work environments.



## INCREASED PRODUCTIVITY

- **Onboard diagnostics system:** to provide immediate feedback on machine status, an onboard display provides visual indications without the need for analysis, reducing the time taken to resolve errors
- **Simplified maintenance:** the removable battery compartment with steel cover is just one of the many features designed to facilitate maintenance
- **Silent-running, with zero emissions:** these platforms are ultra-quiet and produce no emissions, making them ideal for use inside shopping centres, gyms, schools and warehouses
- Front-wheel drive
- Drivable at maximum height
- Battery charge level gauge
- Automatic charger
- Battery charger protection
- Deep-cycle batteries
- Hour counter
- Intuitive controls and simplified operation



Simplified maintenance



Gradeability: 25%



Larger working area thanks to the extendable platform





## SAFETY AND STABILITY

- **Crushing protection:** safety device which features an electric limit switch two metres before full closing, which holds the platform in place. Just releasing the joystick and resuming the operation will complete the descent
- **Pothole protection:** consists of two hydraulically activated side skirts which rest closer the ground, thus increasing the overall stability of the platform
- **Self-locking door on the platform:** the door handle is ergonomically designed in order to facilitate access and increase safety, even when wearing gloves
- **Platform overload:** the platform has been calibrated by the manufacturer in order to prevent any movement if excessive weight is detected on the platform
- **Tilt indicator with alarm:** this is a safety device installed on the machine which monitors the grade in order to inhibit any movement likely to worsen the situation when the machine is on an incline which is greater than the permissible limits
- **Emergency lowering:** allows the machine to be lowered in emergency situations, allowing the operator to be brought safely to the ground
- Emergency stop button
- Cylinder locking valve
- **Speed limit at max. height:** decreases the machine drive speed when the platform is elevated
- Horn
- Warning siren during lowering and dual flashing LED light
- Automatic braking system
- Emergency brake release
- Safe and gradual approach at height
- Non-slip platform



Pedal locking for platform extension



Ground control panel



Safety bracket for maintenance operations



ES1008E

ES1012E

ES1212E

ES1412E

ES1612ELB/ECP 3



## ACCESSIBILITY AND EASE OF USE

- Compact platforms which allow access through internal doors to reach the tightest spaces
- **Non-marking tyres:** hard special rubber with thread design that doesn't leave any marks on the floor and perform a good grip.
- **Zero turning radius:** ideal when manoeuvring in tight spaces
- **Folding rails:** facilitates storage, transport and passage through standard doors and lifts
- Fork pockets integrated in the chassis for easy handling and transport
- **Removable control panel:** equipped with proportional joystick with a safety "trigger", thumb steer function and speed selector switch, battery level indicator and emergency switch
- Anchoring eyebolts on the platform for safety harness



Ergonomic and removable control panel



DC drive motors with steel covers providing zero turning radius

## HIGH-TECH FEATURES

- **Proportional controls:** precise control of lifting and platform movements
- **AC Cable to the operator platform:** this option provides a 220 V / 110 V power supply, allowing the use of electric tools and equipment from the platform
- **Two travel speeds:** tortoise/hare
- Controls with a proportional joystick with integrated steering switch
- The joystick allows lifting and travel operations to be performed

# TECHNICAL DATA

	ES0607M	ES0607EP	ES0708EP	ES0807E	ES0808E	ES1008E	ES1012E	ES1212E	ES1412E	ES1612ELB/ECP
Load capacity	240 kg	240 kg	230 kg	230 kg	380 kg	230 kg	450 kg	320 kg	320 kg	250 kg
Load capacity when extended	100 kg	100 kg	113 kg	113 kg	113 kg	113 kg	113 kg	113 kg	113 kg	113 kg
Max no. occupants	1/1	2/1	2/1	2/1	2/1	2/0	2/2	2/1	2/0	2/0
Working height	5,9 m	5,9 m	7,6 m	7,8 m	8 m	10 m	10 m	12 m	13,8 m	15,7 m
Platform floor level height	3,9 m	3,9 m	5,6 m	5,8 m	6 m	8 m	8 m	10 m	11,8 m	13,7 m
Overall length	1,44 m	1,44 m	1,52 m	1,86 m	2,48 m	2,48 m	2,48 m	2,48 m	2,48 m	2,84/2,48 m
Overall width	0,76 m	0,76 m	0,81 m	0,76 m	0,81 m	0,81 m	1,15 m	1,15 m	1,18 m	1,25/1,19 m
Overall height (rails up)	1,95 m	2,03 m	2,12 m	2,14 m	2,2 m	2,36 m	2,36 m	2,44 m	2,62 m	2,59/2,72 m
Transport height (rails down)	1,55 m	1,67 m	1,76 m	1,82 m	1,87 m	1,99 m	1,83 m	1,92 m	2,09 m	2,05/2,18 m
Platform dimensions (length/width)	1,29 m x 0,7 m	1,29 m x 0,7 m	1,37 m x 0,7 m	1,67 m x 0,74 m	2,27 m x 0,81 m	2,27 m x 0,81 m	2,27 m x 1,12 m	2,27 m x 1,12 m	2,27 m x 1,12 m	2,64/2,27 m x 1,12/1,12 m
Platform extension	0,55 m	0,6 m	0,6 m	0,9 m	0,9 m	0,9 m	0,9 m	0,9 m	0,9 m	0,9 m
Ground clearance (stowed)	6 cm	6 cm	6 cm	9 cm	10 cm	10 cm	10 cm	10 cm	10 cm	10 cm
Ground clearance (raised)	/	1,5 cm	1,5 cm	1,6 cm	1,9 cm	1,9 cm	1,9 cm	1,9 cm	1,9 cm	1,9 cm
Wheelbase	1,10 m	1,05 m	1,13 m	1,36 m	1,87 m	1,87 m	1,87 m	1,87 m	1,87 m	2,22/1,87 m
Turning radius (inside)	0 cm	40 cm	45 cm	0 cm	0 cm	0 cm	0 cm	0 cm	0 cm	0 cm
Turning radius (outside)	/	1,55 m	1,60 m	1,64 m	2,10 m	2,10 m	2,20 m	2,20 m	2,20 m	2,65/2,20 m
Driving motors	-	24 V / 0,4 kW	24 V / 0,5 kW	24 V / 1 kW	24 V / 1,5 kW	24 V / 1,5 kW	24 V / 1,5 kW	24 V / 1,5 kW	24 V / 1,5 kW	24 V / 1,5 kW
Lifting motors	12 V / 0,8 kW	24 V / 1,2 kW	24 V / 2,2 kW	24 V / 2 kW	24 V / 3,3 kW	24 V / 3,3 kW	24 V / 3,3 kW	24 V / 4,5 kW	24 V / 4,5 kW	24 V / 4,5 kW
Travel speed (stowed)	-	4 km/h	4 km/h	4,5 km/h	4 km/h	4 km/h	4 km/h	4 km/h	4 km/h	4 km/h
Travel speed (raised)	-	0,5 km/h	0,6 km/h	0,8 km/h	0,8 km/h	0,8 km/h	0,8 km/h	0,8 km/h	0,8 km/h	0,8 km/h
Speed up/down	30/29 sec	32/27 sec	26/21 sec	27/22 sec	31/27 sec	42/30 sec	36/33 sec	54/42 sec	84/83 sec	88/60 sec
Batteries	12 V / 85 Ah	2x12 V / 85 Ah	2x12 V / 115 Ah	4x6 V / 210 Ah	4x6 V / 225 Ah	4x6 V / 225 Ah	4x6 V / 225 Ah	4x6 V / 225 Ah	4x12 V / 300 Ah	4x12 V / 300 Ah
Integrated battery charger	12V / 15A	24V / 11A	24V / 10A	24V / 25A	24V / 25A	24V / 25A	24V / 25A	24V / 25A	24V / 25A	24V / 25A
Gradeability	-	25%	25%	25%	25%	25%	25%	25%	25%	25%
Maximum working slope	-	1,5°/3°	1,5°/3°	1,5°/3°	2°/3°	1,5°/3°	2°/3°	2°/3°	1,5°/3°	1,5°/3°
Non-marking tyres	ø 153x80 mm	ø 230x80 mm	ø 230x100 mm	ø 305x100 mm	ø 381x127 mm	ø 381x127 mm	ø 381x127 mm	ø 381x127 mm	ø 381x127 mm	ø 381x127 mm
Weight (CE)	540 kg	880 kg	1260 kg	1415 kg	2125 kg	2180 kg	2655 kg	2965 kg	2880 kg	3330/3320 kg

**STANDARDS COMPLIANCE:** EN 280, ANSI/SAIA A92.20

## APPLICATIONS



**Plant Services:**  
Lighting  
Air conditioning/heating systems  
Electrical systems  
Safety systems



**Maintenance**



**Minor construction:**  
Renovation  
Insulation  
Safety



**Distribution and Logistics**



**Cleaning**



**Painting and Restoration**



**Storage/Warehousing:**  
Stocktaking  
Scheduled maintenance of racking



## ROUGH TERRAIN SCISSOR LIFTS

Magni's diesel-powered scissor lift aerial work platforms offer competitive lifting speeds and large working areas to guarantee your productivity and safety on any site. The entire product range is 4WD diesel and rough terrain solid tyres. Models of 15 m and 18 m have a fixed frame, whereas all others in the range are equipped with swivelling front axle, and are therefore perfect when the working area is rough and irregular. Auto levelling outriggers are a further guarantee for off-road works.

## INCREASED PRODUCTIVITY

- **Folding rails:** facilitates storage, transport and passage through narrow areas
- **Onboard diagnostics system:** to provide immediate feedback on machine status, an onboard display provides visual indications without the need for analysis, reducing the time taken to resolve errors
- **Simplified maintenance:** the slide out engine compartment with steel lid is just one of the many features designed to facilitate maintenance
- **Removable control panel:** equipped with a proportional joystick with a safety "trigger", thumb steer function and speed selector switch, battery level indicator and emergency switch
- **Automatic extension deck:** just for model DS2223RTA a controller operates an extension of the platform of 2m more in any condition. This saves time and provides higher efficiency and flexibility



Ergonomic and removable control panel



Slide out engine bay



Folding rails: facilitates storage, transport and passage through narrow doors and lifts



6 DS1218RT / ES1218RT

DS1418RT / ES1418RT

DS1523RT

DS1823RT

DS2223RTA



## SAFETY AND STABILITY

- **Platform overload:** the manufacturer has calibrated the platform to prevent any movement if excessive weight is detected on the platform
- **Crushing protection:** safety device which features an electric limit switch two metres before full closing, which holds the platform in place. Just releasing the joystick and resuming the operation will complete the descent
- **Tilt indicator with alarm:** this is a safety device installed on the machine which monitors the grade to inhibit any movement likely to worsen the situation when the machine is on an incline which is higher than the permissible limits
- **Self-locking door on the platform:** the door handle is ergonomically designed to facilitate access and increase safety, even when wearing gloves
- Movement alarm sensors
- Emergency lowering system
- Emergency stop button
- Cylinder locking valve
- Horn
- Acoustic alarm during lowering
- Automatic braking system
- Emergency brake release
- Safe and gradual approach at height
- Non-slip platform
- Stabilisers with automatic levelling
- Removable control panel
- Warning beacon
- Hydraulic stabilisers with automatic lift and drive function



Large extendable platform



Safety bracket for maintenance operations



Hydraulic stabilisers with automatic levelling



Pedal locking for platform extension



Ground control panel



Levelling bubble gauge



## **TOUGH, OFF-ROAD FEATURES**

---

- **4WD**
- 4-wheel steering (only for the 22-metre model)
- **Gradeability up to 50%**
- High-strength steel bodyshell
- Large, robust working platform offers total safety
- Non-marking foam-filled rough terrain tyres suitable for all terrain types
- Permanent traction-control system
- **Swivelling axle** for a better levelling on tyres (DS1523RT / DS1823RT)



Gradeability up to 50%



Non-marking wide solid tyres for better stability and grip

## **HIGH-TECH FEATURES AND ENGINE**

---

- EURO III engine
- Oil-water cooling system
- AC cable to operator platform
- Easy access to the engine and/or control unit components thanks to the slide out compartment and hatches
- Multi-position hydraulic platform extension (std only for 22m machine)
- Integrated screen with machine data and onboard diagnostics system



# TECHNICAL DATA

	DS1218RT	ES1218RT	DS1418RT	ES1418RT	DS1523RT Superdeck	DS1823RT Superdeck	DS2223RTA
Load capacity	454 kg	454 kg	363 kg	363 kg	680 kg	680 kg	750 kg
Load capacity on extended platform	136 kg	136 kg	136 kg	136 kg	227 kg	227 kg	500 kg
Max no. occupants	4	4	3	3	7	6	4
Working height	12 m	12 m	14.3 m	14.3 m	15 m	18 m	22 m
Platform floor height	10 m	10 m	12.3 m	12.3 m	13 m	16 m	20 m
Overall length (with outriggers)	3.84 m	3.84 m	3.84 m	3.84 m	4.88 m	4.88 m	4.9 m
Overall width	1.76 m	1.76 m	1.76 m	1.76 m	2.27 m	2.27 m	2.33 m
Overall height (rails up)	2.59 m	2.59 m	2.74 m	2.74 m	2.98 m	3.19 m	3.75 m
Transport height (rails down)	1.82 m	1.82 m	1.97 m	1.97 m	2.28 m	2.49 m	2.91 m
Platform size (length/width)	2.88x1.52 m	2.88x1.52 m	2.88x1.52 m	2.88x1.52 m	3.98x1.83 m	3.98x1.83 m	4.35x2.25 m
Platform extension size	1.43 m	1.43 m	1.43 m	1.43 m	2x1,25 m	2x1,25 m	2 m
Ground clearance	24 cm	24 cm	24 cm	24 cm	22 cm	22 cm	36 cm
Wheelbase	2.29 m	2.29 m	2.29 m	2.29 m	2.86 m	2.86 m	3.13 m
Turning radius (inside/outside)	2.15 m / 4.85 m	2.15 m / 4.85 m	2.15 m / 4.85 m	2.15 m / 4.85 m	2.35 m / 5.2 m	2.35 m / 5.2 m	2.10 m / 4.60 m
Engine	Kubota D1105 18.6 kW 2400 rpm	-	Kubota D1105 18.6 kW 2400 rpm	-	Kubota V2403-M-DI - 36.5 kW / 2600 rpm	Kubota V2403-M-DI - 36.5 kW / 2600 rpm	Deutz D2.9I4 36.4 kW 2600 rpm
Drive motor	-	2x32 VAC / 3.3 kW	-	2x32 VAC / 3.3 kW	-	-	-
Lifting motor	-	48 V / 7.8 kW	-	48 V / 7.8 kW	-	-	-
Travel speed (stowed)	5.2 km/h	6 km/h	5.2 km/h	6 km/h	6.1 km/h	6.1 km/h	6 km/h
Travel speed (raised)	0.48 km/h	0.48 km/h	0.48 km/h	0.48 km/h	1.1 km/h	1.1 km/h	0.5 km/h
Up\Down Speed	38/46 sec	40/46 sec	45/46 sec	45/46 sec	70/52 sec	123/74 sec	75/110 sec
Gradeability	40%	40%	40%	40%	50%	40%	30%
Maximum working slope	1.5°/3°	1.5°/3°	1.5°/3°	1.5°/3°	2°/3°	2°/3°	2°/3°
Batteries	-	8x6 V / 315 Ah	-	8x6 V / 315 Ah	-	-	-
Integrated charger	-	48 V / 25 A	-	48 V / 25 A	-	-	-
Hydraulic tank	71 l	71 l	71 l	71 l	130 l	130 l	140 l
Diesel tank	47 l	-	47 l	-	100 l	100 l	100 l
Tyres	Ø 26x12-16.5	Ø 26x12-16.5	Ø 26x12-16.5	Ø 26x12-16.5	Ø 33x12-20	Ø 33x12-20	Ø 355/55 D625
Weight (with outriggers)	4300 kg	4400 kg	5050 kg	5150 kg	8200 kg	9190 kg	13000 kg

**STANDARDS COMPLIANCE:** EN 280, ANSI/SAIA A92.20

## APPLICATIONS



**Plant Services:**  
Lighting  
Air conditioning/heating systems  
Electrical systems  
Safety systems



**Maintenance:**  
Exterior cladding, render etc.  
Road and bridge maintenance  
Aerial inspection



**Construction:**  
Window installation  
Roof repairs  
Painting  
Plumbing



**Logistics:**  
Vertical storage system installation



**Large events:**  
Concerts  
Festivals



## VERTICAL MAST BOOM LIFT

Compact and manageable, it is the ideal solution for accessing hard-to-reach places. It efficiently performs an indoor and outdoor movement or maintenance tasks on stabilised surfaces.

The platform offers impressive extension thanks also to its swing and rotating turret.

## SAFETY AND STABILITY

- Zero emissions and very low noise levels
- Function lockout with low battery
- Onboard diagnostics with integrated display
- Low battery indicator
- Hour counter
- Horn
- Cable attachment points
- Flashing beacon
- Emergency manual lowering system
- System for load monitoring

## AGILITY AND ACCESSIBILITY

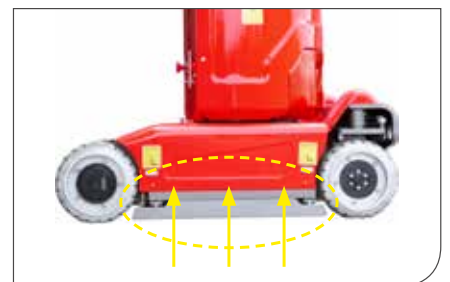
- AC supply cable to operator platform
- Vertical high-tensile steel column with 345° rotation
- Non-marking tyres
- Can be used by two operators simultaneously
- Compact design, perfect for work in tight spaces
- Impressive "up-and-over" height and operating radius



Ground control panel



Turning radius

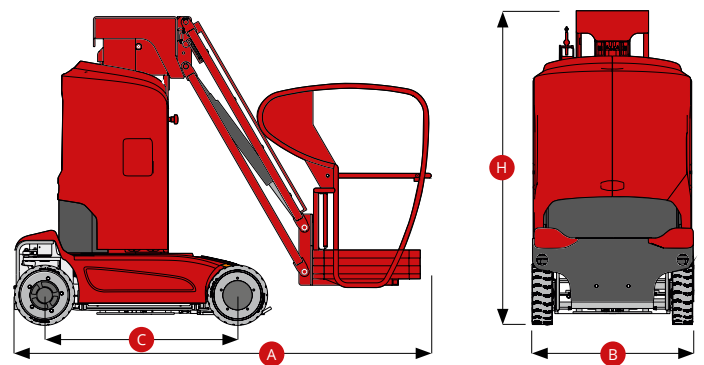
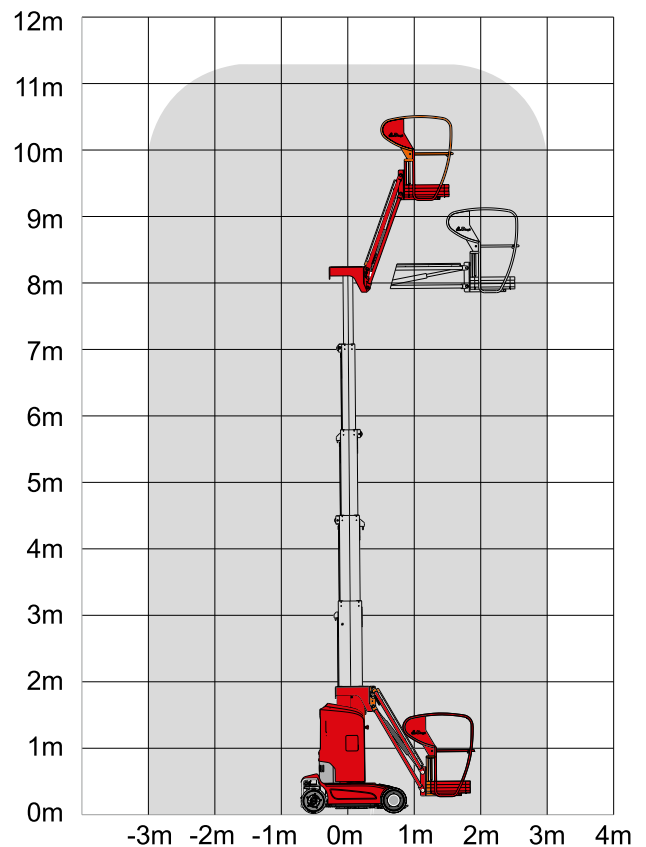


Automatic pothole protection system

# TECHNICAL DATA

MJP11.5	
Load capacity	200 kg
Max no. occupants	2
Working height	11.2 m
Max platform height	9.2 m
Max horizontal outreach	3 m
Up and over height	7.89 m
Overall length <b>A</b>	2.72 m
Overall width <b>B</b>	1 m
Overall height <b>H</b>	1.99 m
Platform size (length/width)	0.62 m x 0.87 m
Ground clearance (stowed)	0.06 m
Ground clearance (raised)	0.019 m
Wheelbase <b>C</b>	1.22 m
Turning radius (inside/outside)	0.23 / 1.65 m
Turret rotation	345°
Jib movement	+70°/-60°
Drive motors	24 V / 1.5 kW
Lifting motor	24 V / 3 kW
Travel speed (stowed)	4.5 km/h
Travel speed (rated)	0.5 km/h
Up\Down Speed	95 / 50 sec
Batteries	24 V / 240 Ah
Integrated charger	24 V / 30 A
Gradeability	25%
Maximum working slope (indoor use)	2.5°
Tyres	ø 381x127 mm
Weight	2920 kg

**STANDARDS COMPLIANCE:** EN 280, ANSI/SAIA A92.20



Facilitated opening for maintenance

## APPLICATIONS



**Plant Services**



**Maintenance:**  
Safety inspections



**Minor construction**



**Cleaning:**  
ADV Shopfitting, decoration and signage



**Painting and Restoration**



Magni Telescopic Handlers Srl  
Via Magellano, 22 – 41013 Castelfranco Emilia (MO)  
Tel. +39 059 8630811- Fax +39 059 8638012  
commerciale@magnith.com - www.magnith.com