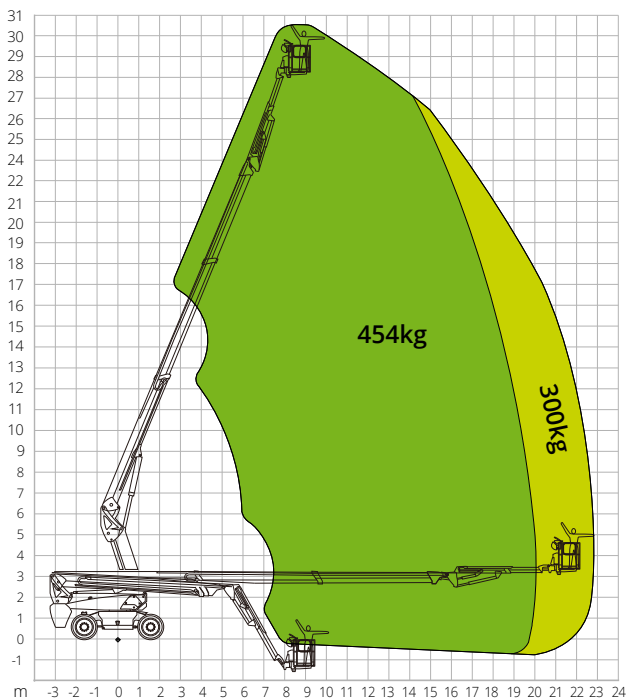
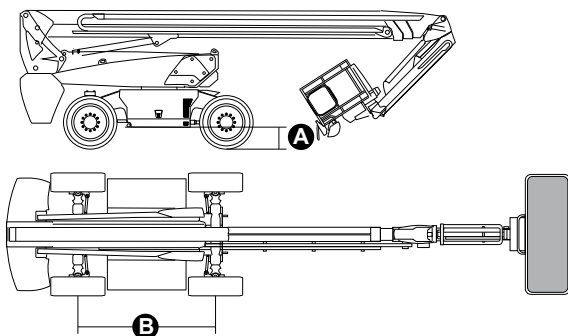


## LOAD CHART



## DIMENSIONS

|                                 |          |        |
|---------------------------------|----------|--------|
| Platform length (transport)     |          | 8.82 m |
| Platform width (transport)      |          | 2.50 m |
| Platform width (axle expanded)  |          | -      |
| Platform width (axle retracted) |          | -      |
| Platform height (transport)     |          | 2.96 m |
| Wheelbase                       | <b>B</b> | 2.80 m |
| Wheelbase (axle extended)       |          | -      |
| Wheelbase (axle retracted)      |          | -      |
| Tailswing                       |          | 1.61 m |
| Ground clearance                | <b>A</b> | 0.41 m |



### STANDARDS COMPLIANCE: EN 280-1, ANSI/SAIA A92.20

The data given in this brochure are provided for information purposes and are subject to change without prior notice. All images are purely guideline and might not give an exact representation of the product.

## ETBJ30RT

### Technical data

|                          |            |
|--------------------------|------------|
| Max. working height      | 30.30 m    |
| Max. basket height       | 28.30 m    |
| Max. reach               | 23.00 m    |
| Turning radius (outside) | 3.22 m     |
| Turning radius (inside)  | 1.87 m     |
| Basket width             | 0.91 m     |
| Basket length            | 2.44 m     |
| Basket rotation          | 180°       |
| Jib type                 | Telescopic |
| Jib length               | 3.98 m     |
| Jib Vertical Rotation    | 130°       |
| Jib travel angle         | -          |
| Auxiliary power          | 12V DC     |

### Performance

|                                |            |
|--------------------------------|------------|
| Platform max. load capacity    | 300/454 kg |
| Max. occupants                 | 3          |
| Max. gradeability (stowed)     | 30%        |
| Max. working slope             | X-5°/Y-5°  |
| Max. wind speed                | 12.5 m/s   |
| Travel speed (closed config.)  | 6.0 km/h   |
| Travel speed (working config.) | 1.1 km/h   |
| Turret rotation (continuous)   | 360°       |

### Engine

|                         |              |
|-------------------------|--------------|
| Travel power            | 54V AC/18 kW |
| Drive pump              | -            |
| Hydraulic tank capacity | 165 l        |
| Transmission            | Hydrostatic  |

### Specific characteristics

|                                  |  |
|----------------------------------|--|
| Tyres                            | 385/45-28                              |
| Battery type                     | Lithium battery - Maintenance-free     |
| Battery capacity                 | 520Ah/80V                              |
| Charger                          | -                                      |
| Charger type                     | Single- and three-phase, 380 V & 220 V |
| Recharge time, 0 - 100% (hours)* | 7                                      |
| Lifting motors                   | -                                      |
| <b>Total weight</b>              | <b>18,900 kg</b>                       |

\*Nominal. The actual value depends on weather and usage factors