




Dry cooler

GFHV WD 080.2MF/12E-54-0EXT.1KUM



Attention: Risk of frost. Unit is not completely drainable.

Capacity:	109.0 kW⁽¹⁾	Medium:	Water (R718)⁽²⁾ 
Surface reserve:	0.1 %	Inlet temp.:	40 °C
Air flow:	37756 m³/h	Outlet temp.:	35.0 °C
Air velocity:	3.40 m/s	Pressure drop:	0.33 bar
Air inlet:	25.0 °C 40 %	Volume flow:	18.92 m³/h
Altitude:	0.0 m	Mass flow:	18787 kg/h
Air outlet:	34.0 °C 24 %		
Heat transf. coeff.:	51.33 W/(m²·K)		

Fans (EC):	2 Piece(s) 3~400V 50-60Hz	Noise pressure level:	54 dB(A) in 10.0 m⁽⁴⁾⁽⁵⁾
Data per motor (nominal data):		Noise power level:	86 dB(A)
Speed:	975 min⁻¹	ErP:	Compliant⁽⁷⁾
Capacity(mech./el.):	1.59 kW/1.94 kW		
Current:	3.00 A⁽³⁾		

Total el. power consumption:	4.45 kW	energy efficiency class:	E⁽⁸⁾
------------------------------	----------------	--------------------------	------------------------

Casing:	Galv. Steel, Powder-coated RAL 7035	Tubes:	copper⁽¹⁰⁾
Surface:	272.4 m²	Fins:	Aluminium⁽¹⁰⁾
Tube volume:	49.0 l	Connections per unit:	
Fin spacing:	2.10 mm	Inlet:	64 * 2.00 mm
Dry weight:	397 kg⁽¹²⁾	Outlet:	64 * 2.00 mm
Max. operating pressure:	10.0 bar	PED classification:	Art. 4(3)⁽¹¹⁾
		Passes:	4

Dimensions: ⁽¹²⁾	
Length:	3040 mm
Width:	1141 mm
Height:	1438 mm⁽¹²⁾
No. legs:	4
Outlet header:	64 * 2.00 mm
Inlet header:	64 * 2.00 mm
Circuits:	1N
Distributions:	19

UI:

0EXT.1KU

Product code:

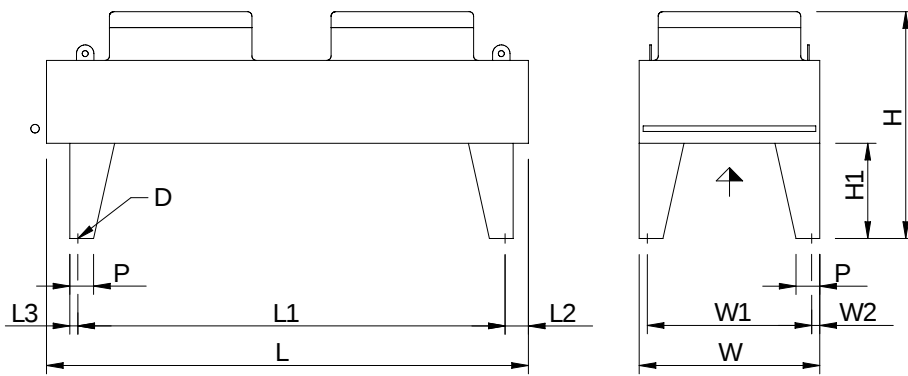
72K-318h-1-4PWA-40A2002A-11ZA-11ZA-2fB

Product type:

MTO - 2026-04-30, PL 2/2026, GPC.EU Customer 2026.8-317 (64 Bit)

Delivery time: **7 weeks (Status: 2026-05-15)⁽¹³⁾**

Our general terms of sales and delivery apply!



L = 3040 mm
W = 1141 mm
H = 1438 mm
H1 = 600 mm
L1 = 2700 mm
L2 = 197 mm
L3 = 52 mm
P = 150 mm
W1 = 1037 mm
W2 = 52 mm
D = 17 mm

Attention: Drawing and dimensions not valid for all accessory options!

Impact Rating ⁽⁹⁾

2.5⁽⁹⁾ 

Your configuration to cut operational costs and emissions

Important remarks / explanatory notes:

- (1) Calculations and capacity tests are based on the following standards: condensers/gas coolers EN 327, evaporators/air coolers EN 328, dry coolers EN 1048.
- (2) Fluid group 2 in accordance with Pressure Equipment Directive 2014/68/EU
- (3) The current consumption can differ in dependence of the air temperature and of the variations of system voltage according to the VDE guidance.
- (4) In accordance with the enveloping surface method defined in EN 13487/EN 9614-1; tolerance = +2 dB(A). Applies only for AC fans, AC fans with sine control and EC fans. Noise caused by other control methods, water spraying systems or sound reflexions occurring at the installation site are not taken into account and may result in an increased sound pressure level.
- (5) Based on the calculation of the operating point of the fan
- (6) Distance at which an air velocity of 0.5 m/s can still be measured isothermally in an ideal space. The achievable penetration depth of the air flow in the cold room depends on the spatial geometry and other factors.
- (7) This unit is equipped with fans that meet the efficiency requirements of Directive 2009/125/EC (ErP Directive).
- (8) Ratio of performance to energy consumption in dry operation (without icing/defrosting). Higher class = higher energy efficiency.
- (9) The IMPACT rating is a tool designed to identify further potential – to make your cooler even better. It evaluates Guntner products in terms of responsible energy use and modern technologies. The IMPACT icon highlights the factors considered in the rating: - Responsible selection of refrigerants - Efficient heat exchangers - Efficient defrosting methods - Accessories that enhance efficiency - Intelligent and energy-saving control technologies - and other future-proof technologies A higher IMPACT score indicates a forward-looking selection based on predicted environmental and energy-related effects. This rating serves as guidance within the Guntner portfolio and does not constitute a guarantee of actual savings or environmental benefits, as these depend on the specific system in which the unit will be installed. For this we do not have the necessary details.
- (10) The unit may not be suitable for very corrosive atmospheres (close to shores, in smoke rooms, etc.). For further information, see material recommendations brochure or ask your sales partner.
- (11) Pipe (DN = 60.0 mm, TSmax = 100 °C, liquid). Final classification in accordance with Pressure Equipment Directive 2014/68/EU when the order is processed.
- (12) Dimensions and weights are not valid for all possible options! They may differ for units with accessories or special units (S-...).
- (13) Delivery time for standard units ex works, i.e. without transport time. Times for units with customised drawing, special units, special accessories or larger quantities on request.
- (14) Information provided by the customer. This information is not checked by Guntner for completeness or plausibility and is included in the calculation.