

# ALFA-300



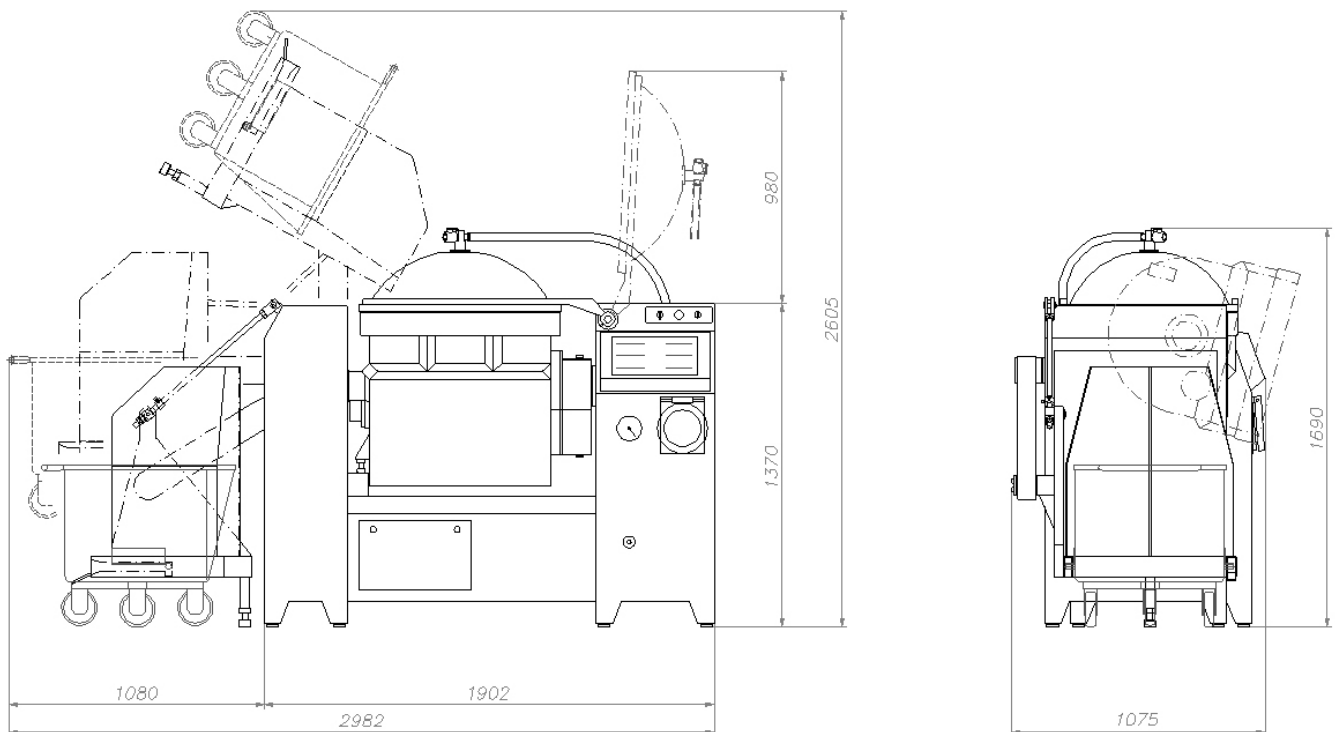
## TECHNICAL DATA

- ✓ Paddles motor power: 4 kW
- ✓ Vacuum Pump: 21 m<sup>3</sup>/h
- ✓ Hydraulic motor power: 0,75 kW
- ✓ Paddles speed: 30 min. -1 (r.p.m.)
- ✓ Bowl capacity: 300 L.
- ✓ Weight: 885 kg.

**TEC  
MAQ**

## GENERAL DATA

- ✓ Construction is completely from Stainless Steel AISI-304
- ✓ Designed and manufactured according to the European Guideline 89/392 CEE.
- ✓ "T" shaped paddles rotates forward and reverse, suitable to mix all kind of products and it mixes perfectly every ingredient.
- ✓ Suitable to mix 35-200 kg. (depending of product)
- ✓ Transmisión por motor-reductor.
- ✓ The machine is very silent and works almost without any maintenance.
- ✓ Hydraulically dump bowl for easy unloading and cleaning.
- ✓ Suitable for massaging by removing arm-breakers from the bowl.
- ✓ Electro-digital control panel with the possibility of saving different Kneading-Mixing cycles in a fully automatic way.



**TEC  
MAQ**

**MAQUINARIA SOLITEC, SL.**

Pol. Ind. Can Clapés - c/ Torrent de'n Baiell, nº23

08181 SENTMENAT (BARCELONA)

Phone number: +34 937 15 18 44

[www.tecmaq.es](http://www.tecmaq.es)