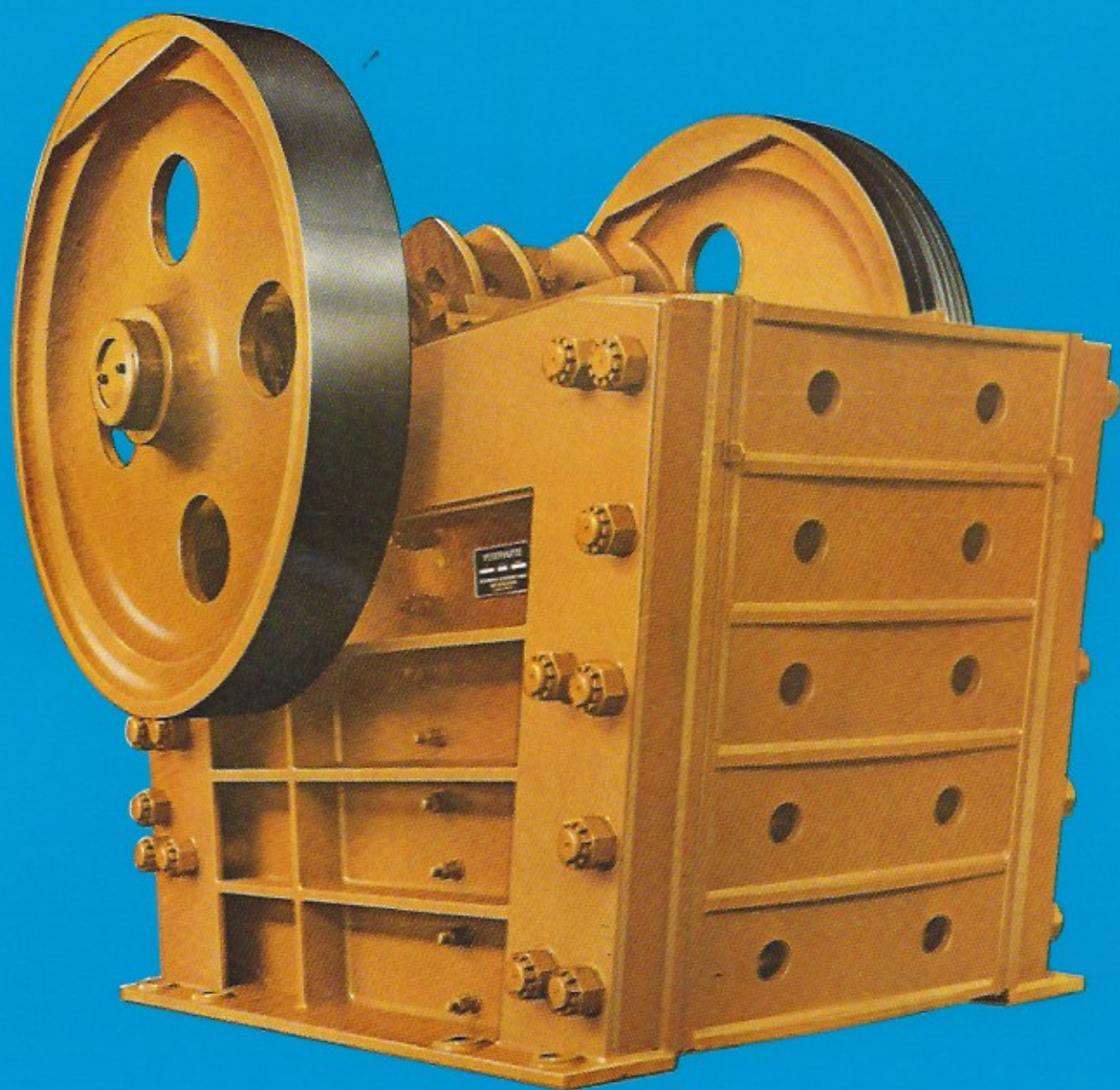
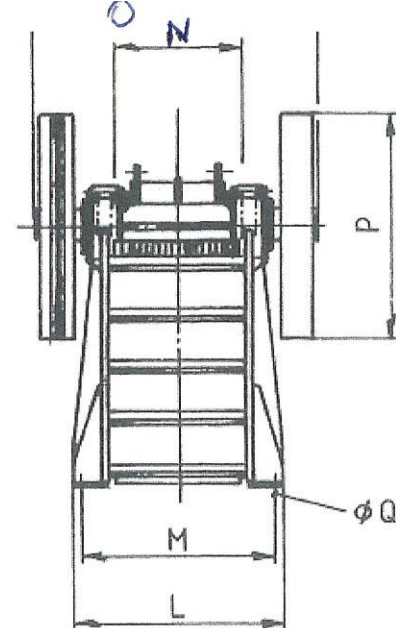
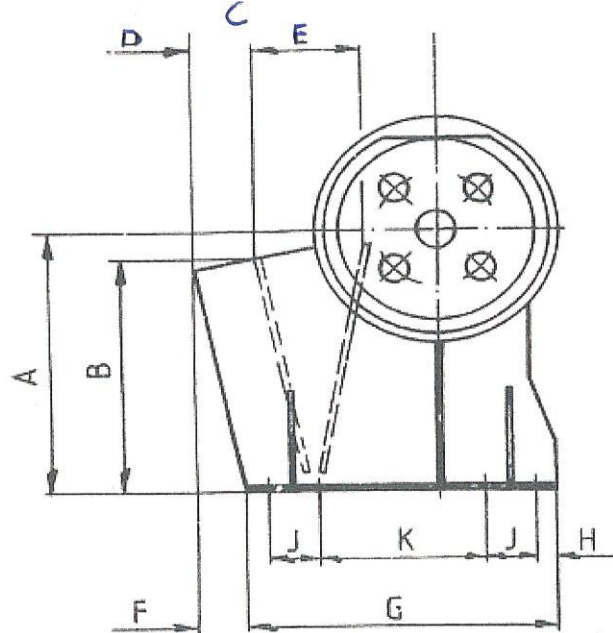


WESERHÜTTE



Single-Toggle Jaw Crushers





Typ	Maulweite mm	Spaltweite mm	Leistung t/h	Hub mm	Gewicht kg	Brecherdrehz. Upm	erford. Mo kW/Upm
EB 1000 x 650	1000 x 650	80 - 160	120 - 200	23	20.000	245	75/1500
EB 1000 x 850	1000 x 850	120 - 200	180 - 260	23	24.000	245	90/1500
EB 1200 x 1000	1200 x 1000	150 - 230	240 - 420	26	37.500	240	110/1500
EB 1350 x 1100	1350 x 1100	150 - 300	310 - 600	30	50.000	215	132/1500
EB 1500 x 1200	1500 x 1200	180 - 330	400 - 730	30	80.000	190	160/1500
EB 2000 x 1200	2000 x 1200	220 - 380	550 - 950	32	126.000	160	250/1000
EB 2300 x 1700	2300 x 1700	240 - 440	700 - 1600	36	204.000	160	355/1000

Abmessungen in mm

Typ	A	B	C	D	E	F	G	H	J	K	L	M	N	O	P	Q
EB 1000 x 650	1775	1585	1645	445	650	283	2300	158	320	1340	1690	1540	1000	2270	1900	55
EB 1000 x 850	2250	2015	1910	460	850	365	2480	175	400	1330	1690	1540	1000	2270	1900	64
EB 1200 x 1000	2140	2140	2220	610	1000	520	2800	150	450	1600	2100	1940	1200	2700	2200	74
EB 1350 x 1100	2870	2470	2480	710	1100	590	3160	150	520	1800	2290	2090	1350	2790	2200	80
EB 1500 x 1200	2820	2820	2757	730	1200	517	3280	240	600	1400	2550	2400	1500	3590	2800	78
EB 2000 x 1200	2820	2820	3220	960	1200	510	3860	235	615	1845	3170	3020	2000	4730	2900	80
EB 2300 x 1700	3940	3860	3880	980	1700	712	4533	313	800	2400	3650	3450	2300	5050	3200	100