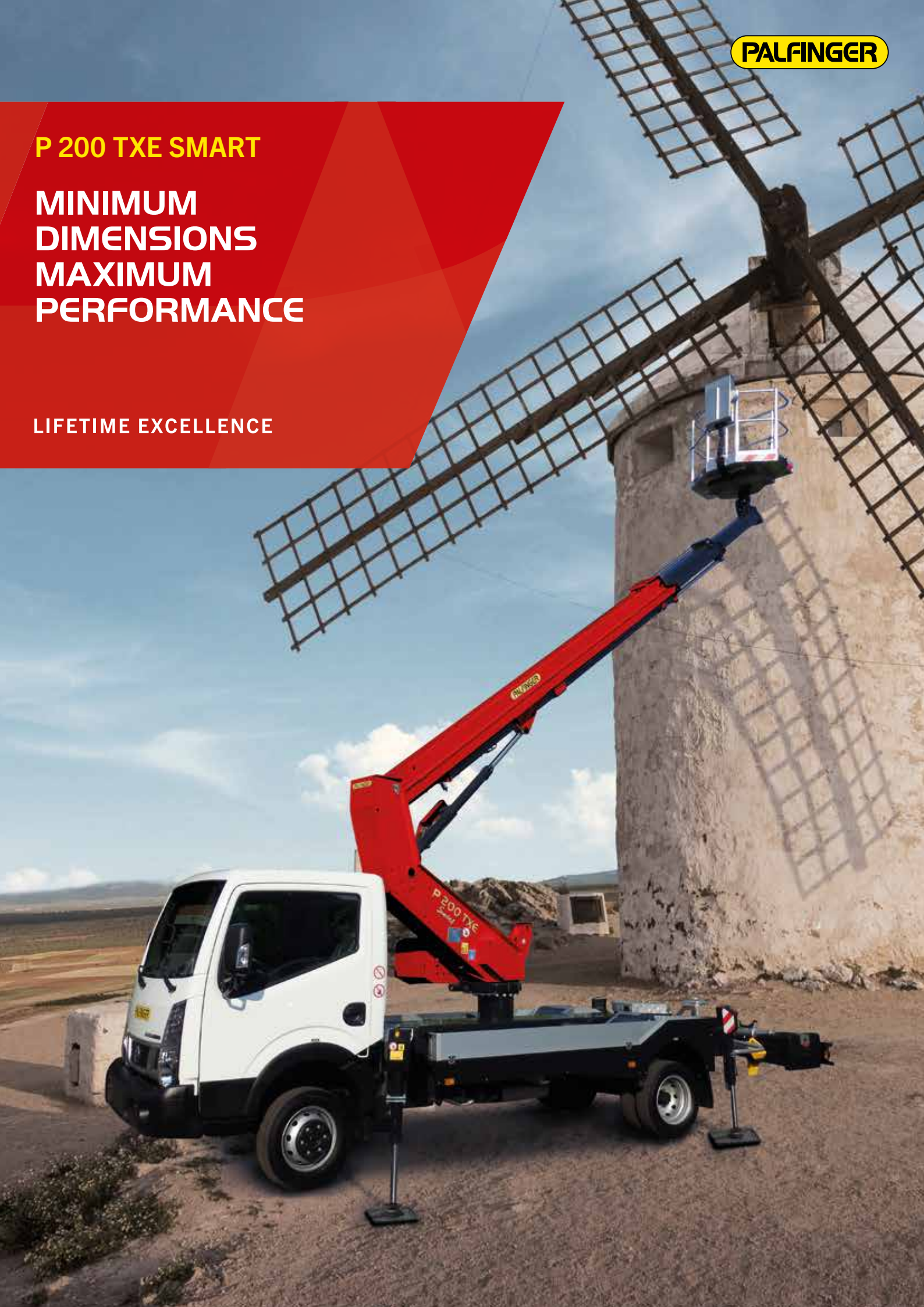


**PALFINGER**

**P 200 TXE SMART**

**MINIMUM  
DIMENSIONS  
MAXIMUM  
PERFORMANCE**

**LIFETIME EXCELLENCE**



## TECHNICAL SPECIFICATIONS

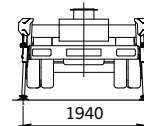
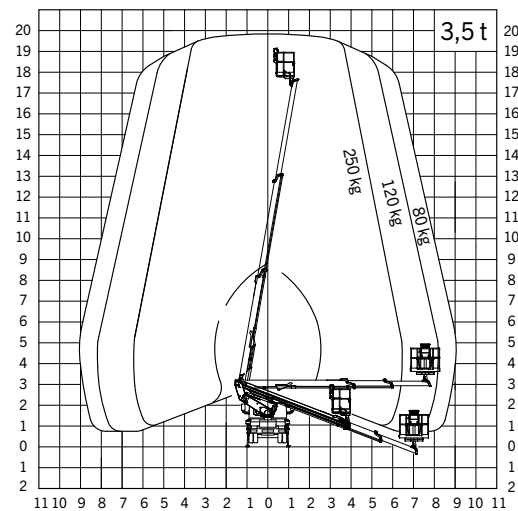
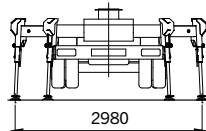
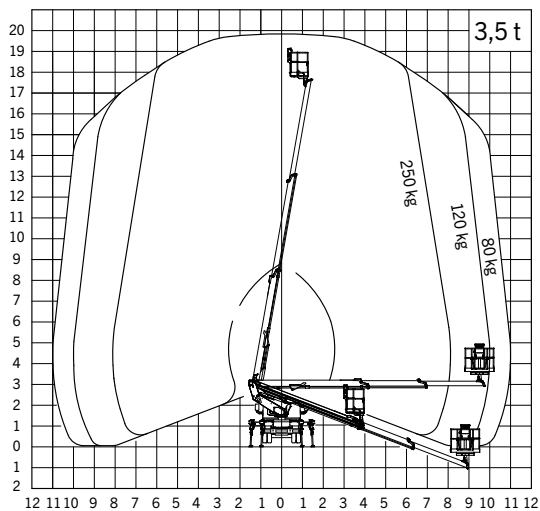
Max. working height	19.8 m
Max. basket bottom height	17.8 m
Max. outreach	11.0 m
Angle of main boom	-21° a + 80°
Turntable rotation	370°
Basket rotation	2 x 90°
Basket load	250 kg
Size of basket	1.4 x 0.85 x 1.1 m
Height in transport position	2.87 m
Width in transport position	2.10 m
Length in transport position	7.10 m
Can be driven with a class B license	

## OPTIONAL

Fiberglass basket
Electric pump for internal use
Working adjustable light 60 W on the basket
Insulation 1000 V
12 V electric pump
Aluminium side panels
Customised paintwork boom

## WORKING DIAGRAMS

At the front, the 2 outriggers are installed on hydraulically extendable arms that generate 2 stabilisation set-ups.



## DIMENSIONS



SALES DEALER

Units shown in the leaflet are partially optional equipped and do not always correspond to the standard version. Country-specific regulations must be observed. Dimensions may vary. Subject to technical changes, errors and translation mistakes.