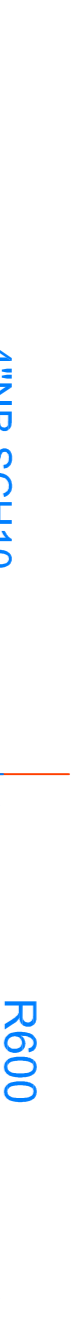


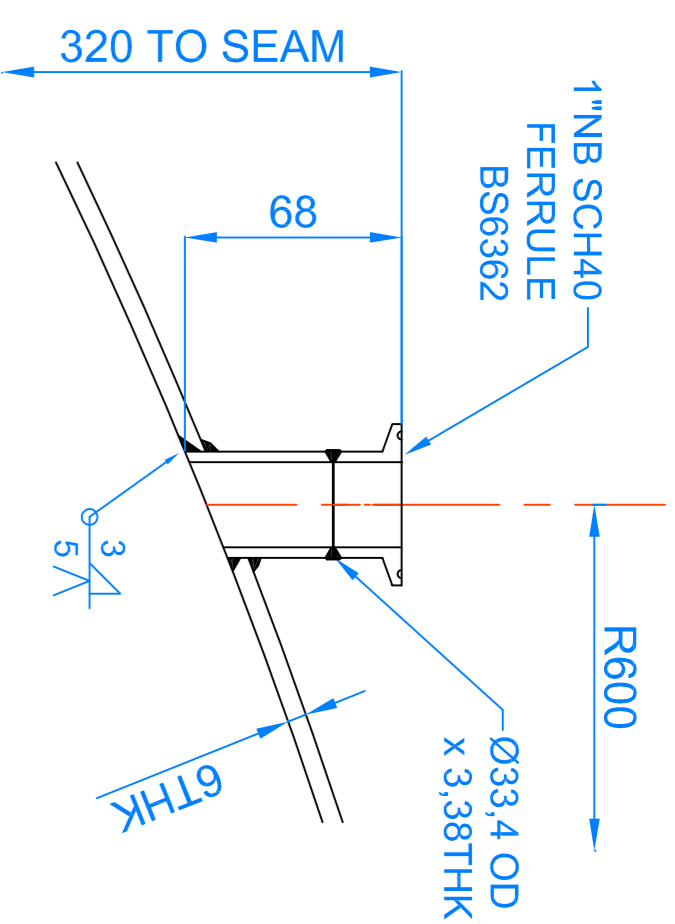
SANITISER MIXING VESSELS (3-OFF)

PXL REF: V001A
V001B
V001C

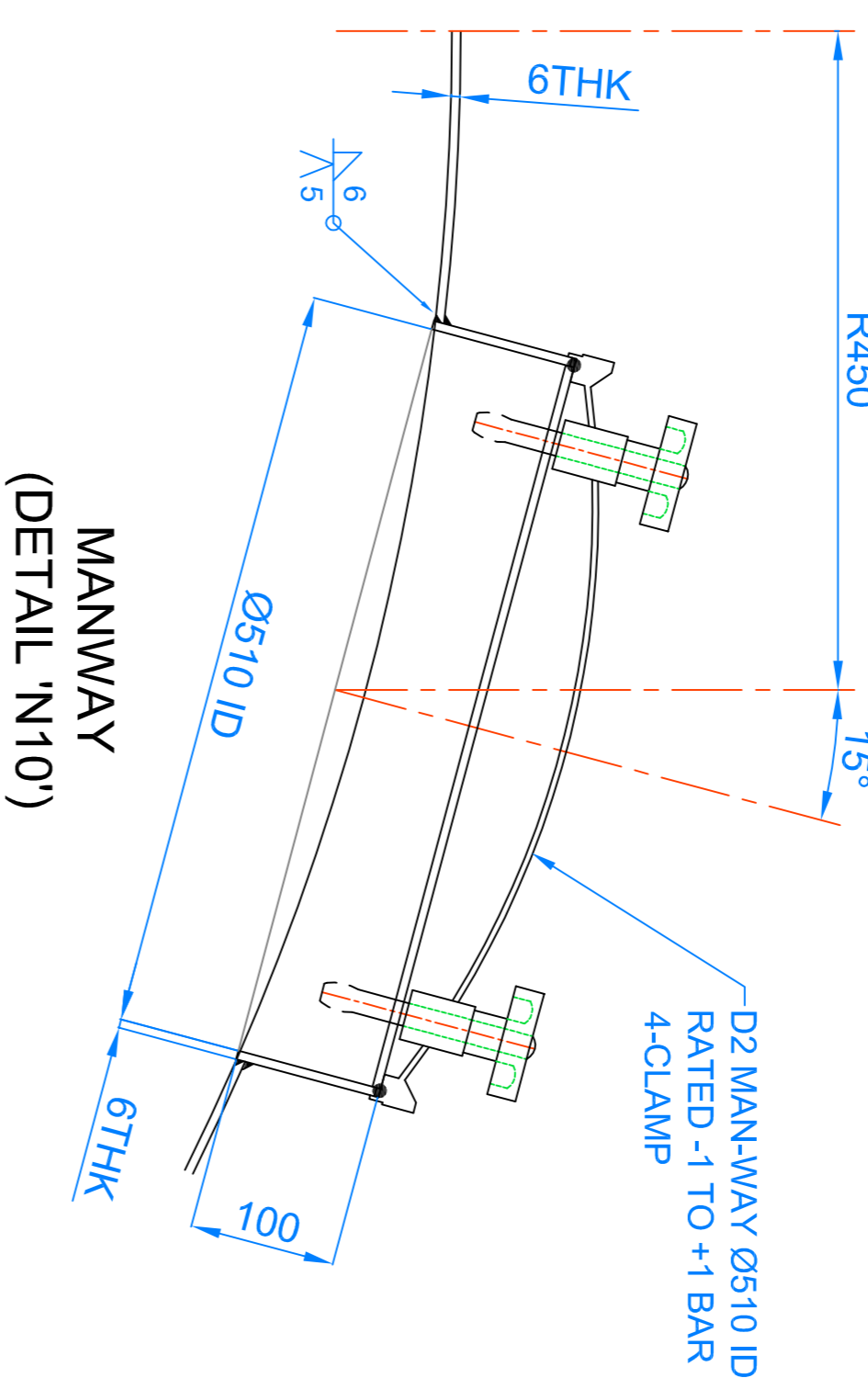
ABLE REF: PXL19635-1



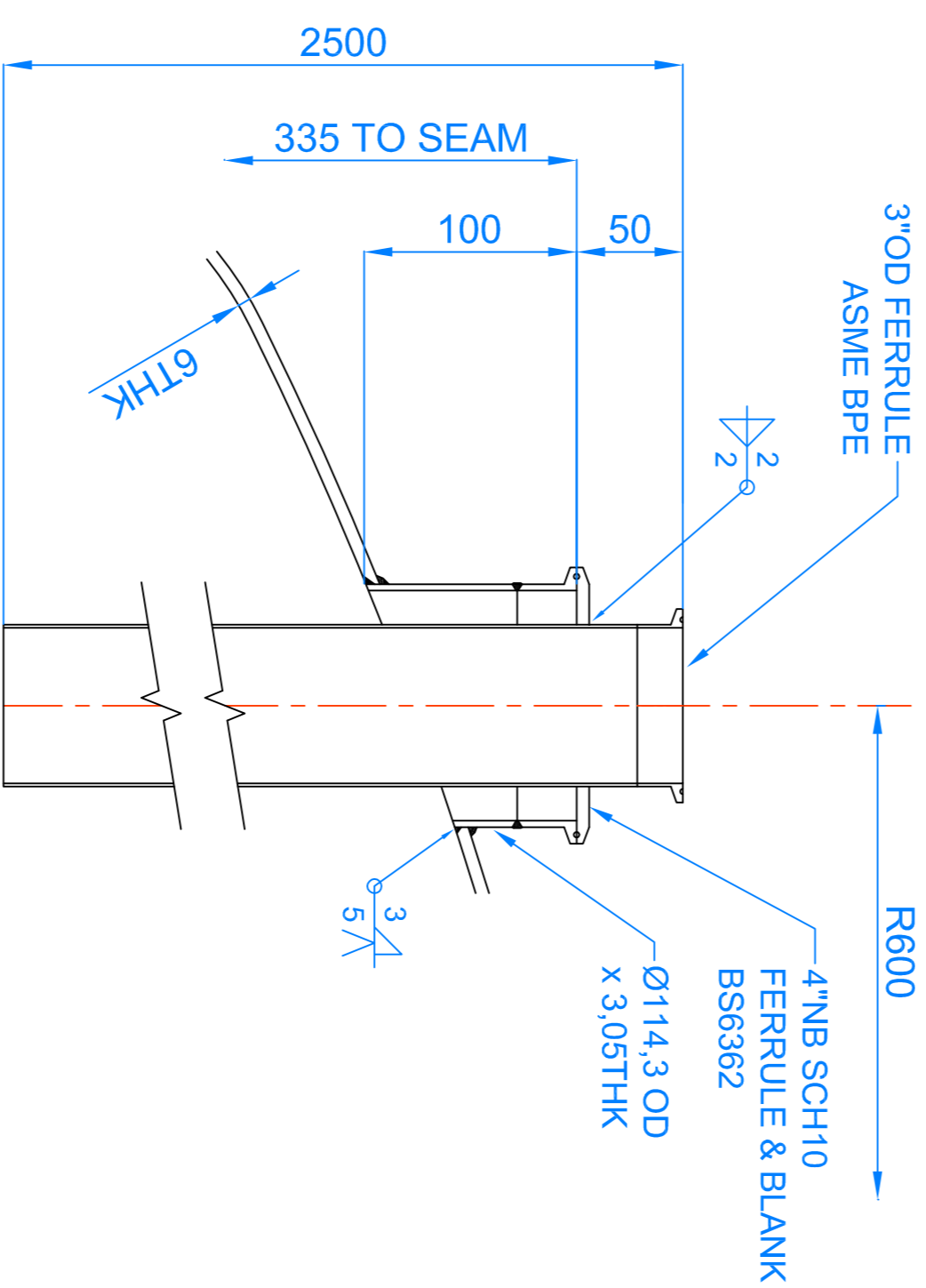
TOP FITTINGS
(DETAILS 'N4, N8, N9')



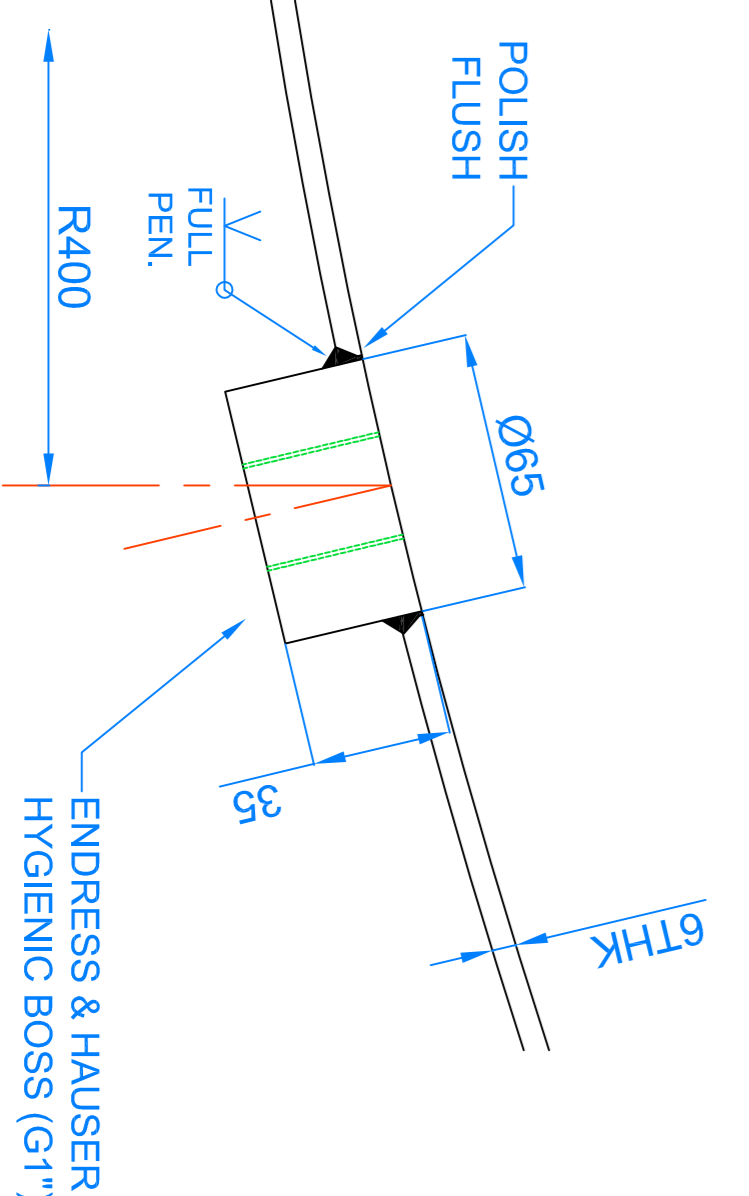
NITROGEN INLET & PRES. INDICATOR
(DETAIL 'N6, N7')



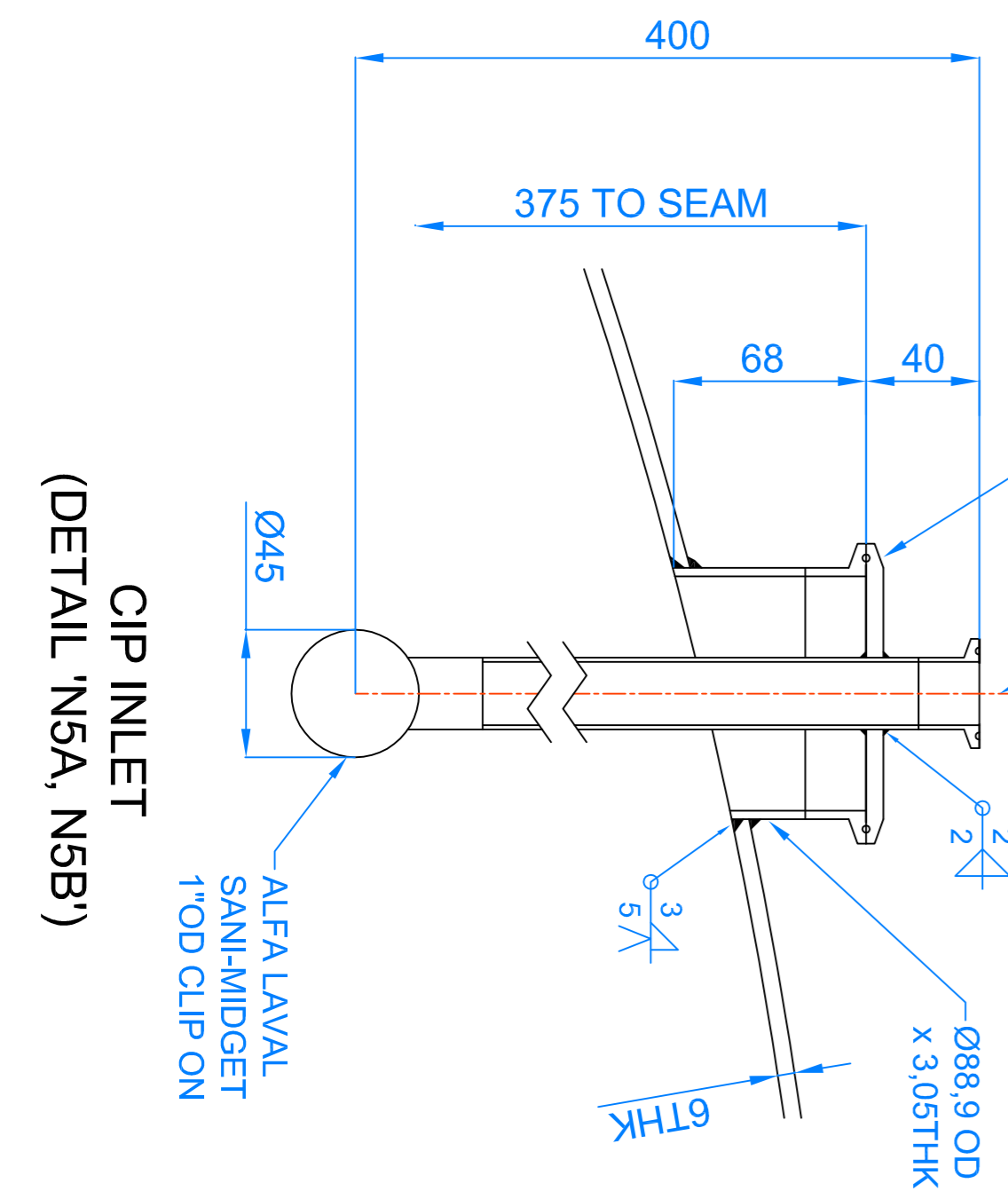
MANWAY
(DETAIL 'N10')



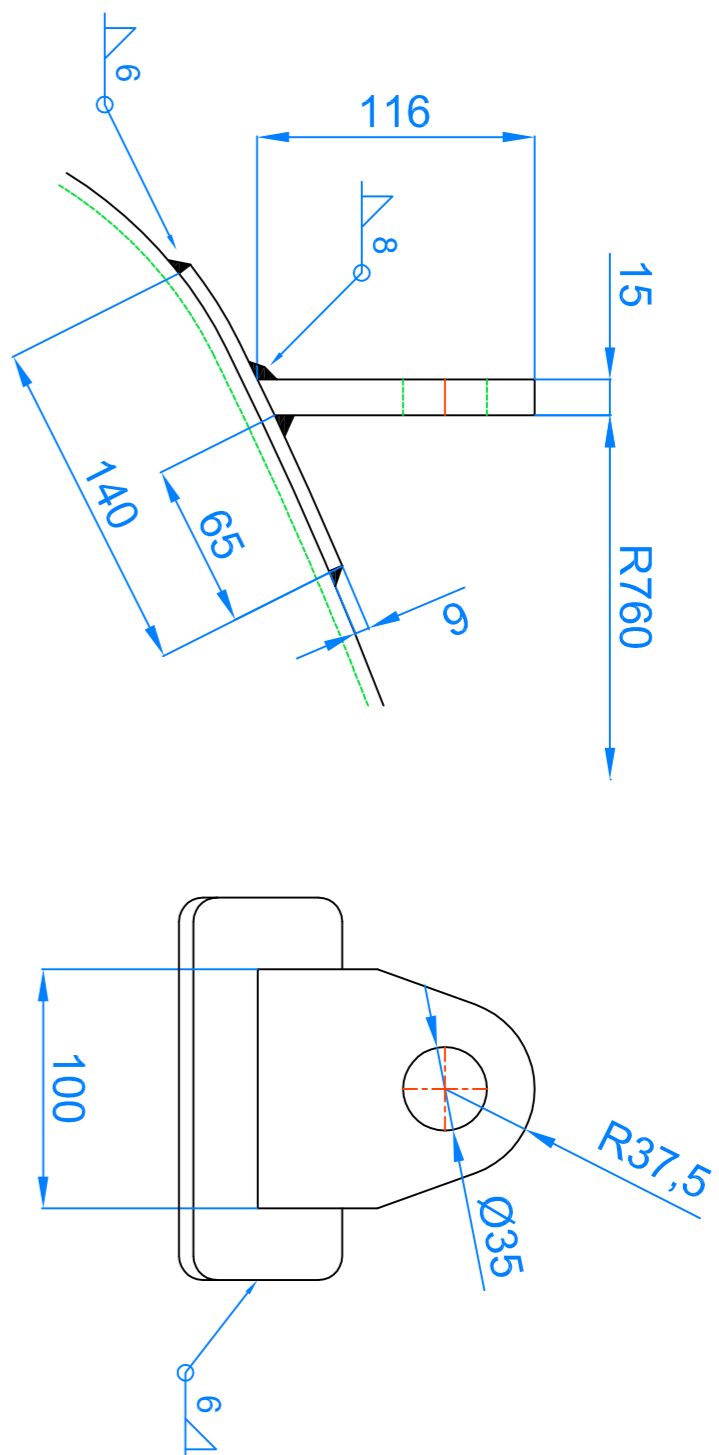
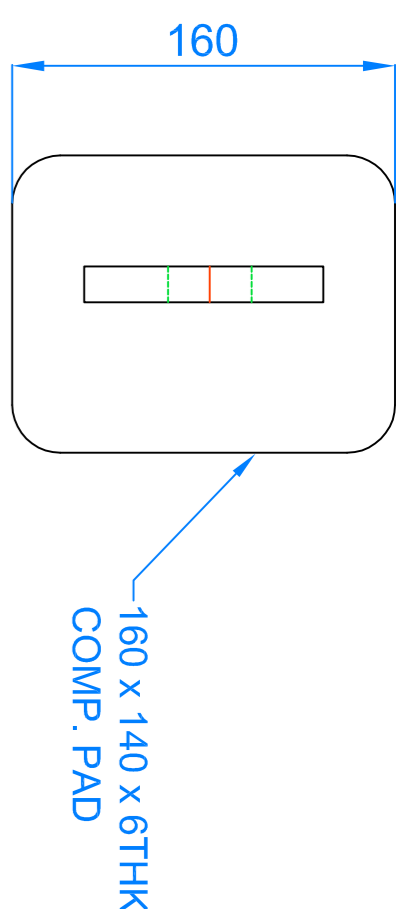
TOP FITTING WITH DIP PIPE
(DETAIL 'N1')



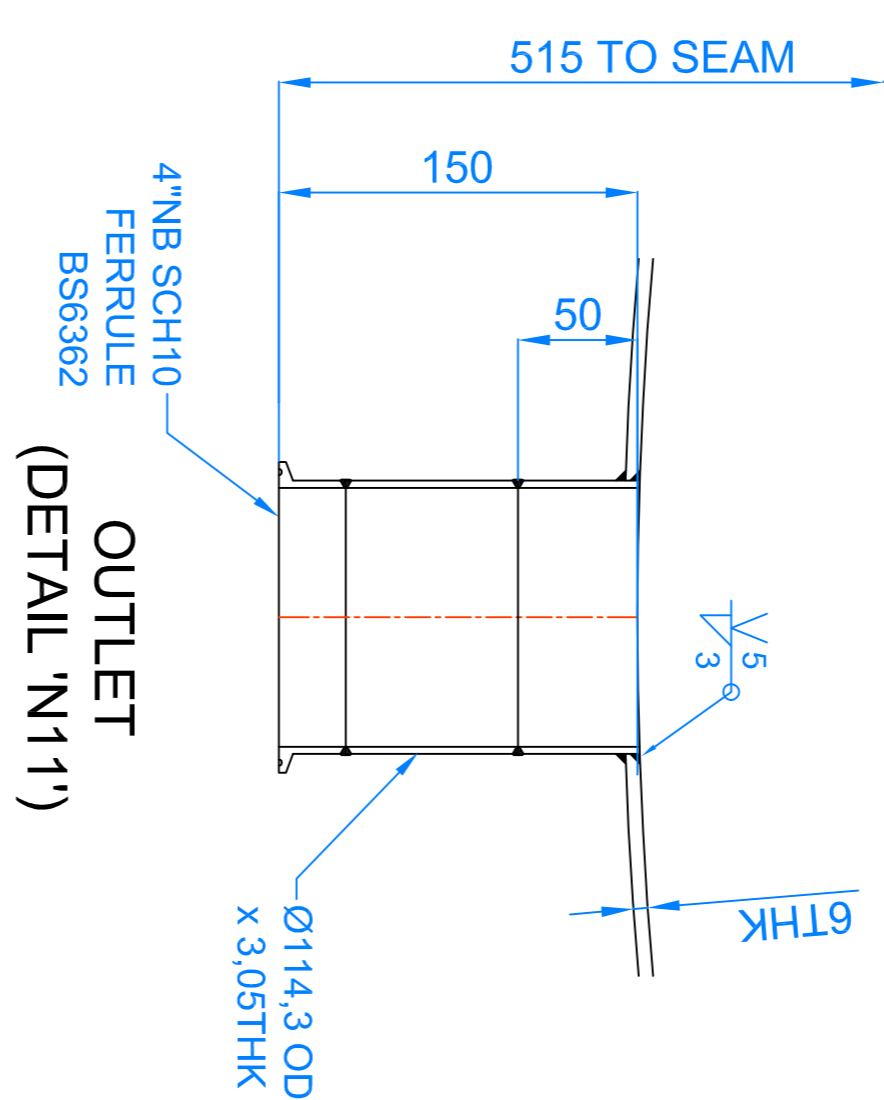
THERMOWELL
(DETAIL 'N12')



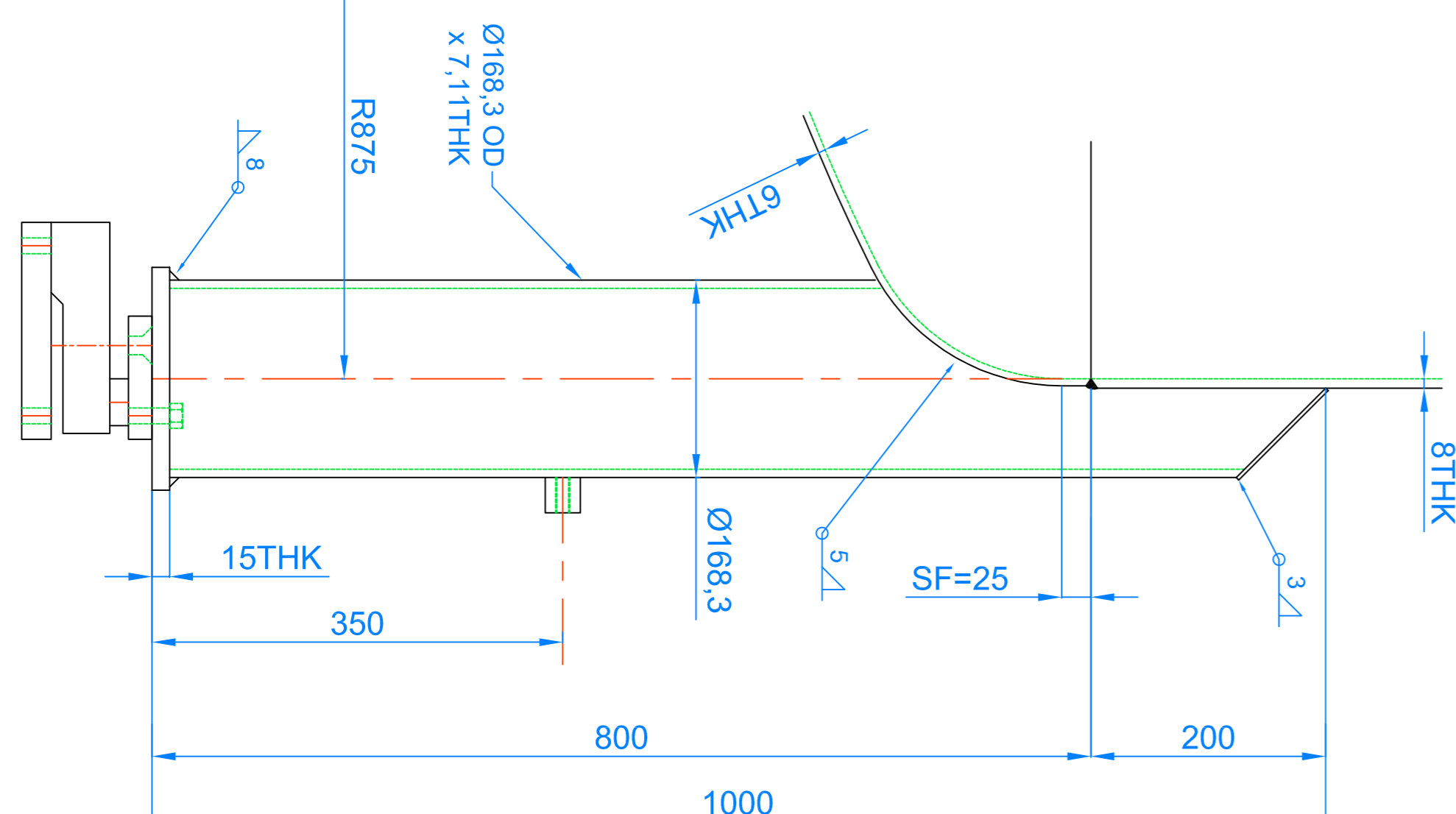
CIP INLET
(DETAIL 'N5A, N5B')



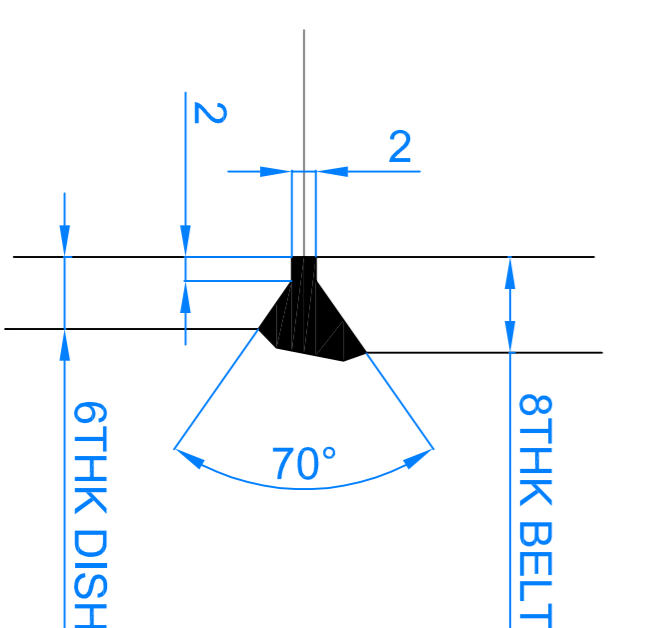
LIFTING LUGS
(DETAIL 'N13')



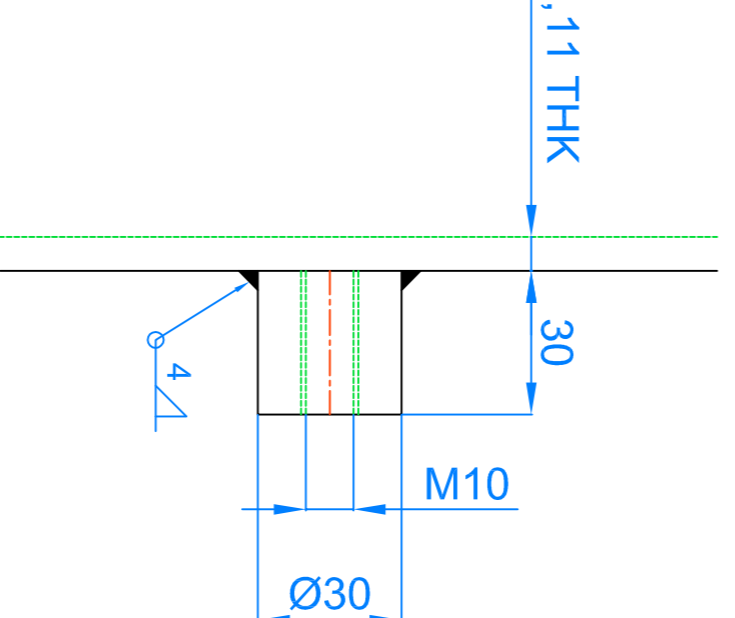
OUTLET
(DETAIL 'N11')



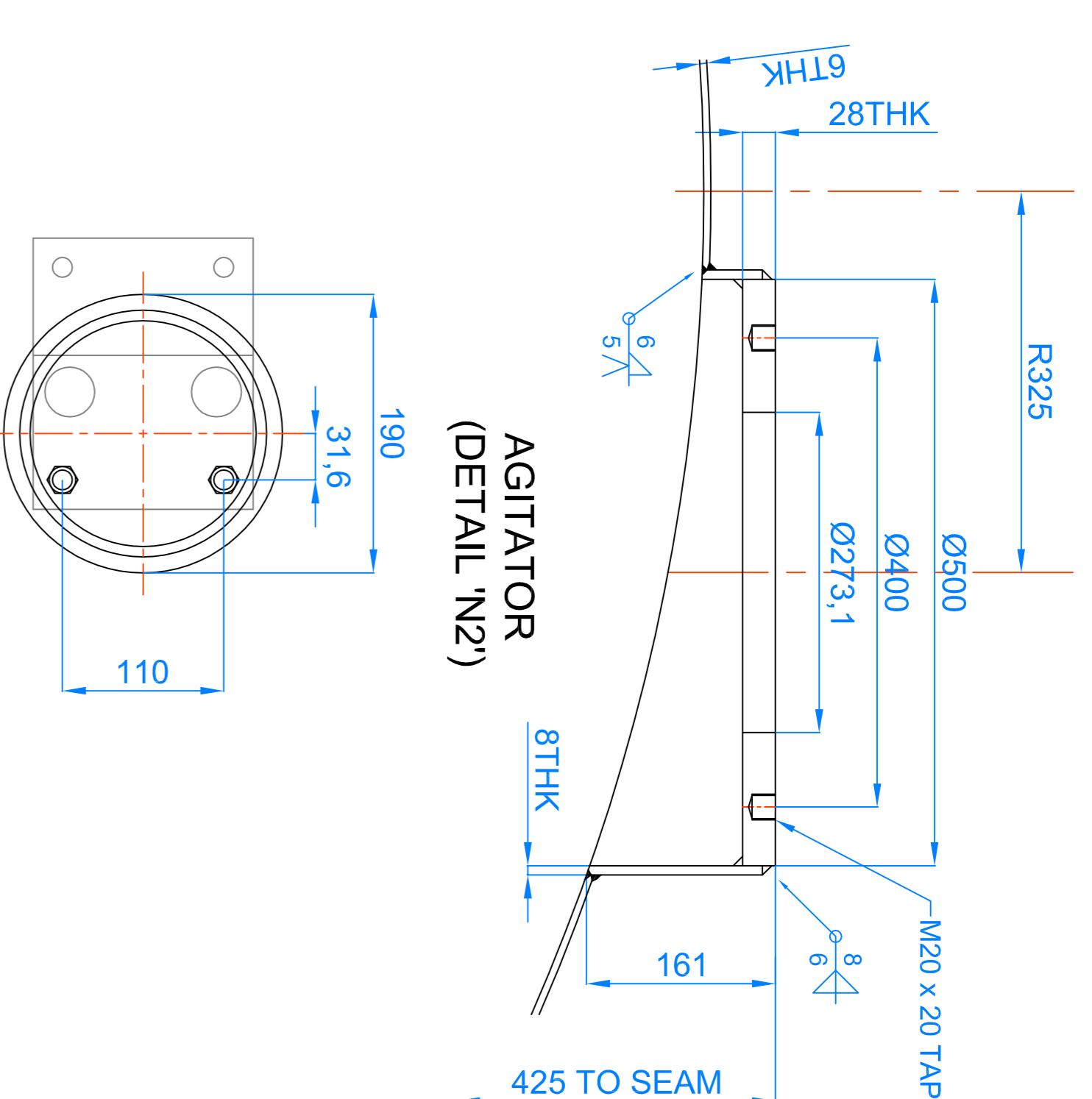
SUPPORT LEGS
(DETAIL 'N16')



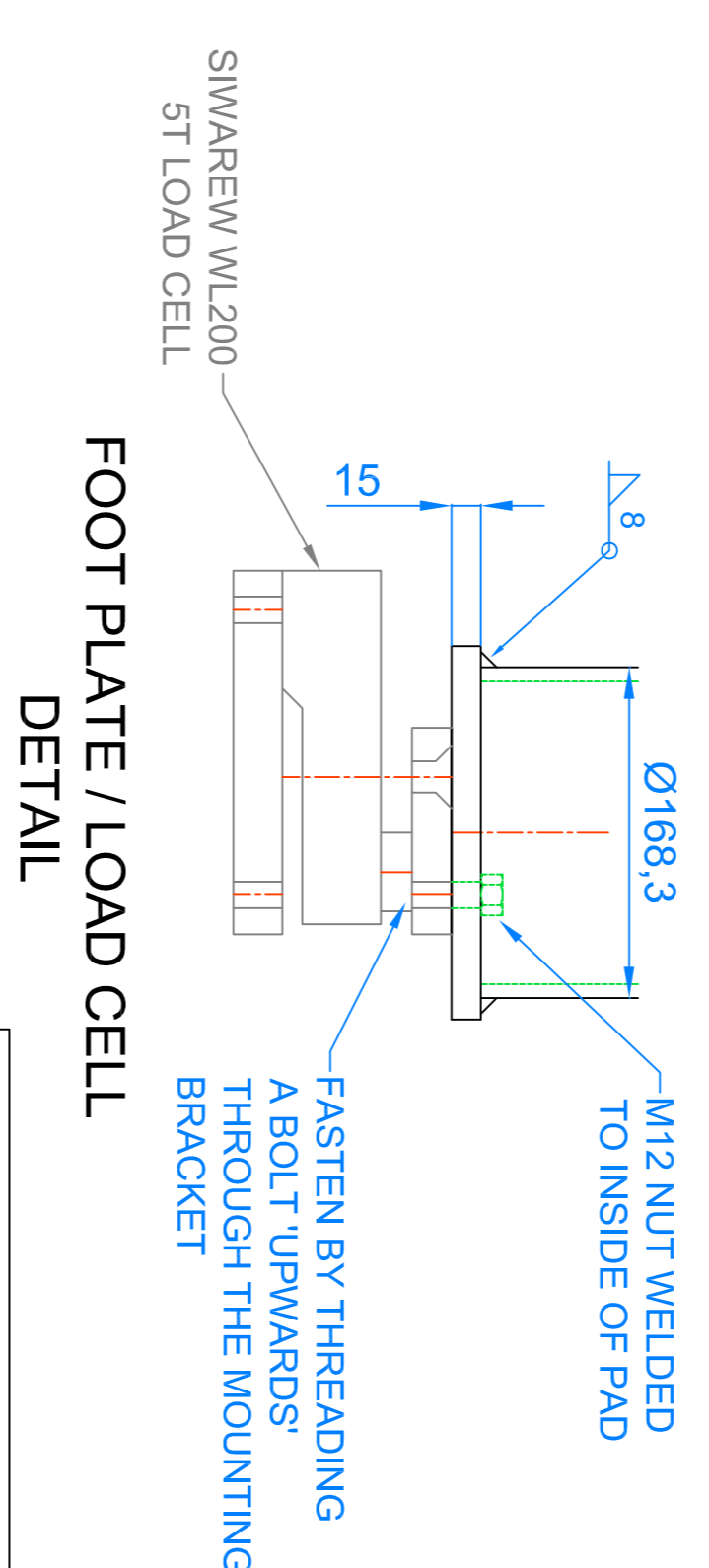
TYP. SEAM WELD



EARTHING BOSS
(DETAIL 'N14')



AGITATOR
(DETAIL 'N2')



FOOT PLATE / LOAD CELL
DETAIL

MANUFACTURED BY
ABLE ENGINEERING
CADLEY HILL ROAD, SWADLINCOTE, DERBYSHIRE, DE11 9EQ
TEL: (01283) 227160 FAX: (01283) 222375
www.able-engineering.co.uk

DESCRIPTION: Sanitiser mixing vessel, 1/2/3
PXL No: V001A/B/C
REV: 1
DATE: 29.09.20
DESIGN CODE: P00002018, CAT 3
PER. CATEGORY: SEP
VESSEL WORKING PRESS: AUTOMATIC
VESSEL TEST PRESS: 1.5 x WORKING PRESS
VESSEL DESIGN TEMP: -10°C to 100°C
MATERIAL OF CONSTR: 316L STAINLESS STEEL
FABRICATED WEIGHT: 1.640 KG (EMPTY)
OPERATING WEIGHT: 8.500 KG (FULL)
TESTED: JULY 2020

NAMEPLATE
(DETAIL 'N15')

REV. No.	DESCRIPTIONS UPDATED	DATE	INT.
J	DETAIL DESCRIPTIONS UPDATED	09.10.20	B/P
I	SIGHT GLASS RE-ORIENTATED TO 95°	29.09.20	D/C
H	SIGHT GLASS ADDED	28.09.20	D/C
G	G1" BOSSSES CHANGED TO RDS2 TYPE	11.09.20	D/C
F	MIXER ORIENTATION UPDATED	21.08.20	I/G
E	FABRICATION ISSUE	10.07.20	D/C
D	NOZZLE N9 RE-ORIENTATED	01.07.20	D/C
C	FITTINGS RE-ORIENTATED, CLIENT REQUEST	30.06.20	D/C
B	TRI-CLAMPS CHANGED TO BS6362	24.06.20	D/C
A	AMENDED AS PER CLIENT REVIEW	18.06.20	D/C
P1	PRELIMINARY DESIGN	03.06.20	D/C

THIS DRAWING & DESIGN IS THE PROPERTY OF ABLE ENGINEERING AND IS ONLY ALLOWED TO BE USED BY EXPRESS PERMISSION & LICENCE FROM ABLE ENGINEERING.

ABLE ENGINEERING
CADLEY HILL ROAD, SWADLINCOTE, DERBYSHIRE, DE11 9EQ
TEL: (01283) 227160 FAX: (01283) 222375
www.able-engineering.co.uk

DRAWN BY: D.S.CUDWORTH
DATE: 03.06.20
SCALE: N.T.S.
CLIENT: PX Ltd
CLIENT O/Nr.: 3500395029

TITLE: SANITISER MIXER VESSELS
DRAWING No.: AEC12067
REV. J
SHEET No. 2 OF 2