



CNC-Cutter – Cuts through thick and thin.
All sorts of materials.

High velocity, consistent precision and easy add-on options

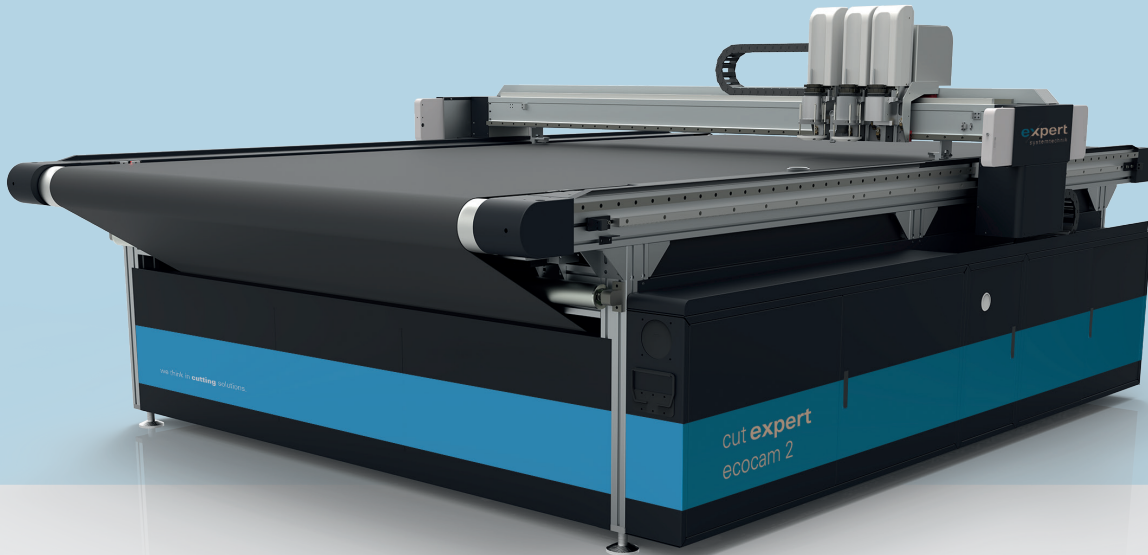
cut **expert** ecocam 2



ENGLISH

cut **expert** ecocam 2

- Multi-functional tool head for holding 3 interchangeable tools
- Easy-to-replace conveyor belt in light or dark colour for high contrast
- Low-wear cutting through electronically controlled Z-axis
- High positioning speed of up to 90m/min



Easy-to-use function

- Easily exchangeable cutting tools, „PLUG & CUT“
- Intuitive user interface
- Effortless blade exchange
- Vacuum zones activatable by simple click

Speed up ROI

- Inexpensive solution with high-value features
- Optimal material yield through nest **expert** software modules
- High velocity & consistent precision



Fields of application

Cutting of different materials, such as: **leather, technical textiles, foam, plastics, rubber, composite materials, prepregs, sealing and insulation materials, spacer fabrics, foil, cardboard, corrugated board, packaging material**, many other **semi-flexible** materials and also some **rigid** materials.

Request a test cut now!

You send your material to us - we take the time and carry out a **free cutting test**. This way you can see whether the cutting result meets your expectations, which cutting system delivers the optimum result - before you take the next step.

Options



EOT
Electric
Oscillating Tool



PRT
Powerful
Rotary Tool



UCT
Universal Cutting Tool /
drag knife



POT
Pneumatic
Oscillating Tool



KCT
Kiss-Cut Tool



Router module
with dust removal device



CTT
Creasing Tool



V-Cut
Angle-cut tool



**Printer-mark
detection**



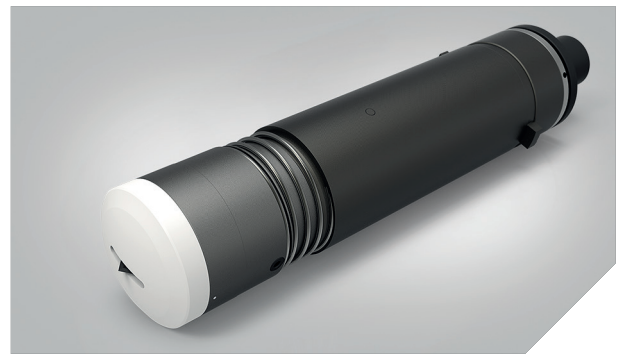
**Camera
registration**



Unwinder



PRT – Driven rotating blade
up to 11,000 rotations/min



UCT – Straight knife
tangentially controlled

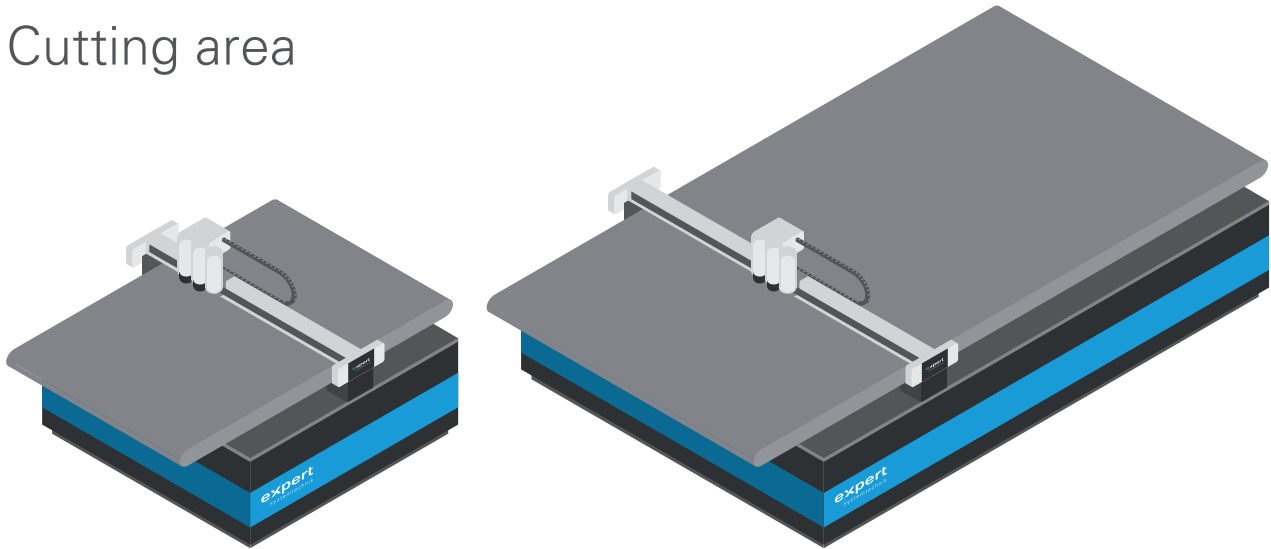


EOT – Oscillating blade
up to 15,000 rotations/min



KCT – Kiss-Cut Tool
cuts into the surface, not into the substrate

Cutting area



Standard sizes	3500 x 2100 mm
1500 x 1000 mm	3500 x 2700 mm
1500 x 1600 mm	3500 x 3200 mm
2500 x 1600 mm	4500 x 1600 mm
2500 x 2100 mm	5500 x 1600 mm
2500 x 2700 mm	5500 x 2100 mm
2500 x 3200 mm	5500 x 3200 mm
3500 x 1600 mm	7500 x 1600 mm

Based on the standard sizes the workspace can be adapted to customer-specific requirements. An extension of the depositing or clearing area is possible depending on the table size.

Technical specifications

Positioning speed	90 m/min
Material thickness	Standard up to 50 mm / special cutting height up to 100 mm possible
Electrical requirements	400 VAC 50/60 Hz / 63-125 A
Vacuum	selectable vacuum zones
Operating system	PC-based NC control software
Compressed air	6.0 bar / 200 L/min, standard 8.5 bar / 600 L/min, pneumatic blade
Repeatability	+/- 0.25 mm
Material layers	single-ply or multi-ply
Precision	0.1 mm

Innovative software modules from **expert** guarantee an efficient production

PPS – Production Planning System

pattern **expert**

- Data capture of the cutting patterns
- Flexible modification of the cutting patterns
- Clearly structured Model Manager
- Open interfaces to other CAD systems

Data acquisition



order **expert**

- Simple combinations of models and types
- Clear selection of the material
- Connection to external ERP and PPS software such as SAP possible

Compilation



nest **expert**

- Best possible material utilisation through optimal placement of the cutting patterns
- Automatic and interactive nesting
- Open interfaces to other systems

Nesting



pick-up **expert**

- Visual help for sorting via projection
- Simplified and manual sorting of finished parts
- Individual display possible (e.g. according to model or individual template)

Sorting



expert systemtechnik gmbh
Broeninghauser Strasse 35 e
DE-33729 Bielefeld

☎ +49 521 959 67-0

📠 +49 521 959 67-10

✉ info@expertsystemtechnik.de

www.expertsystemtechnik.de/en



ES/01/2022

Modular technology, agile working practices, customised solutions

Each company and each manufacturing process is unique. Our appreciation of this fact is found in our drive to develop a simple and practical solution for every technical challenge. For more than 25 years we have been designing and developing innovative automated CAD/CAM controlled cutting systems using waterjet and CNC technology – always implemented in combination with the most up-to-date digital technology designed by our in-house software engineers.

we think in **cutting** solutions.