

**voran**<sup>®</sup>

machinery

# Packing presses 100P2 180P2



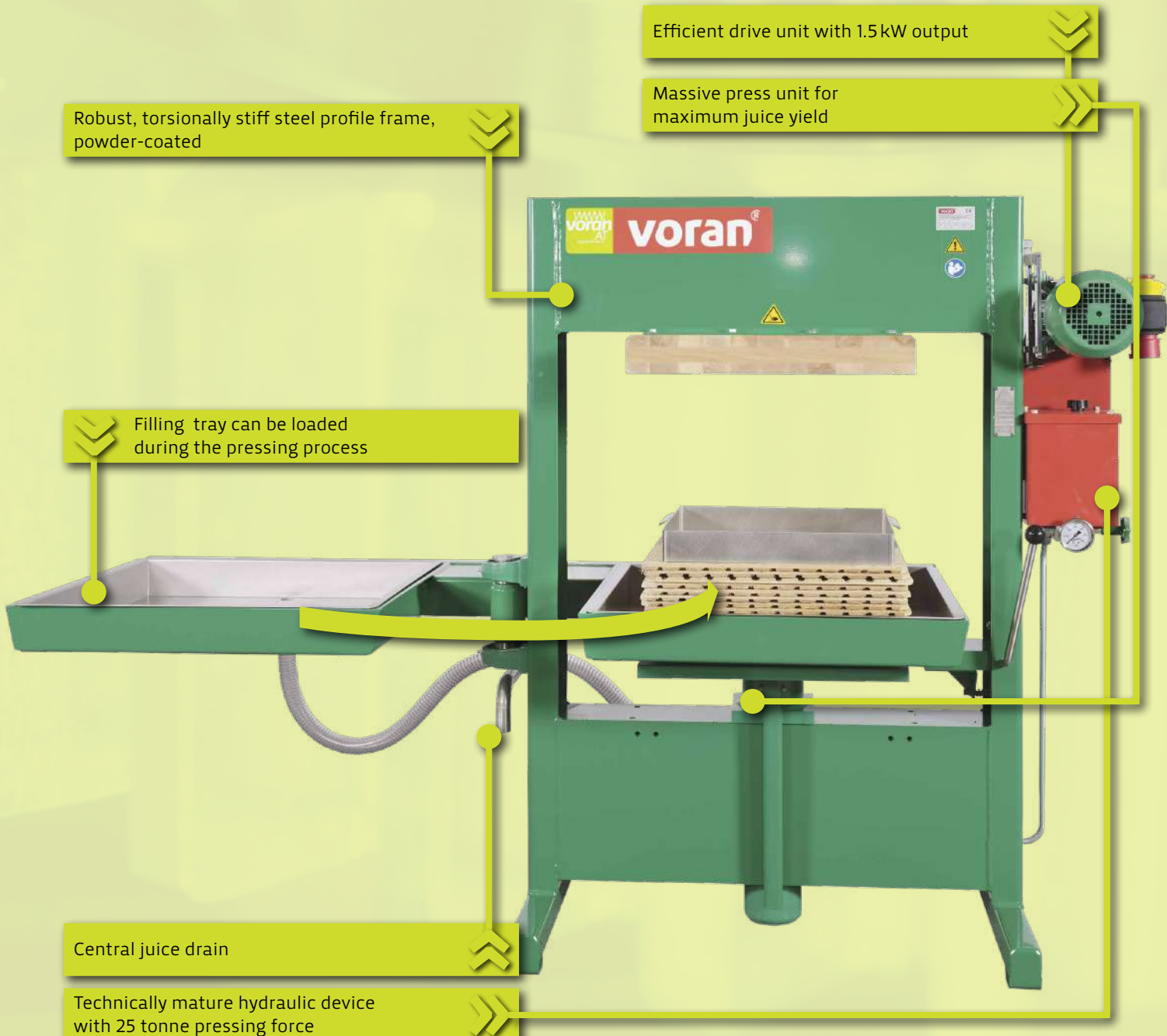
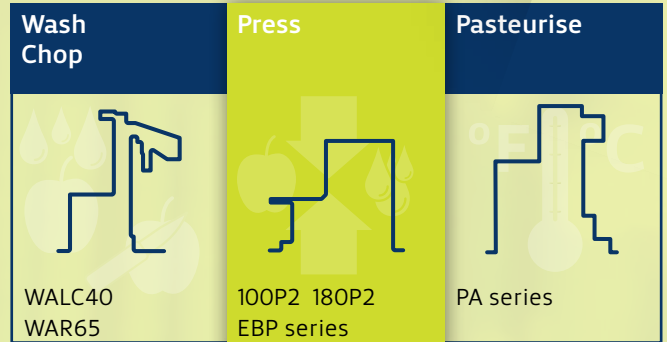
# The Topseller — 100P2

## Everything you need

We can tell you why the 100P2 is so popular with our customers: it is a straightforward investment that pays for itself quickly even with a low number of fruit trees. The excellent production quality and accompanying long lifespan of the machine are additional arguments.

If you can deal with an hourly output of around 600 kilograms, the voran® 100P2 packing press is the right choice. If you need higher performance, you will find the right machine on the following pages.

**100P2—compact, high-quality, affordable.**



# Liquid gold

## Ergonomics meets efficiency

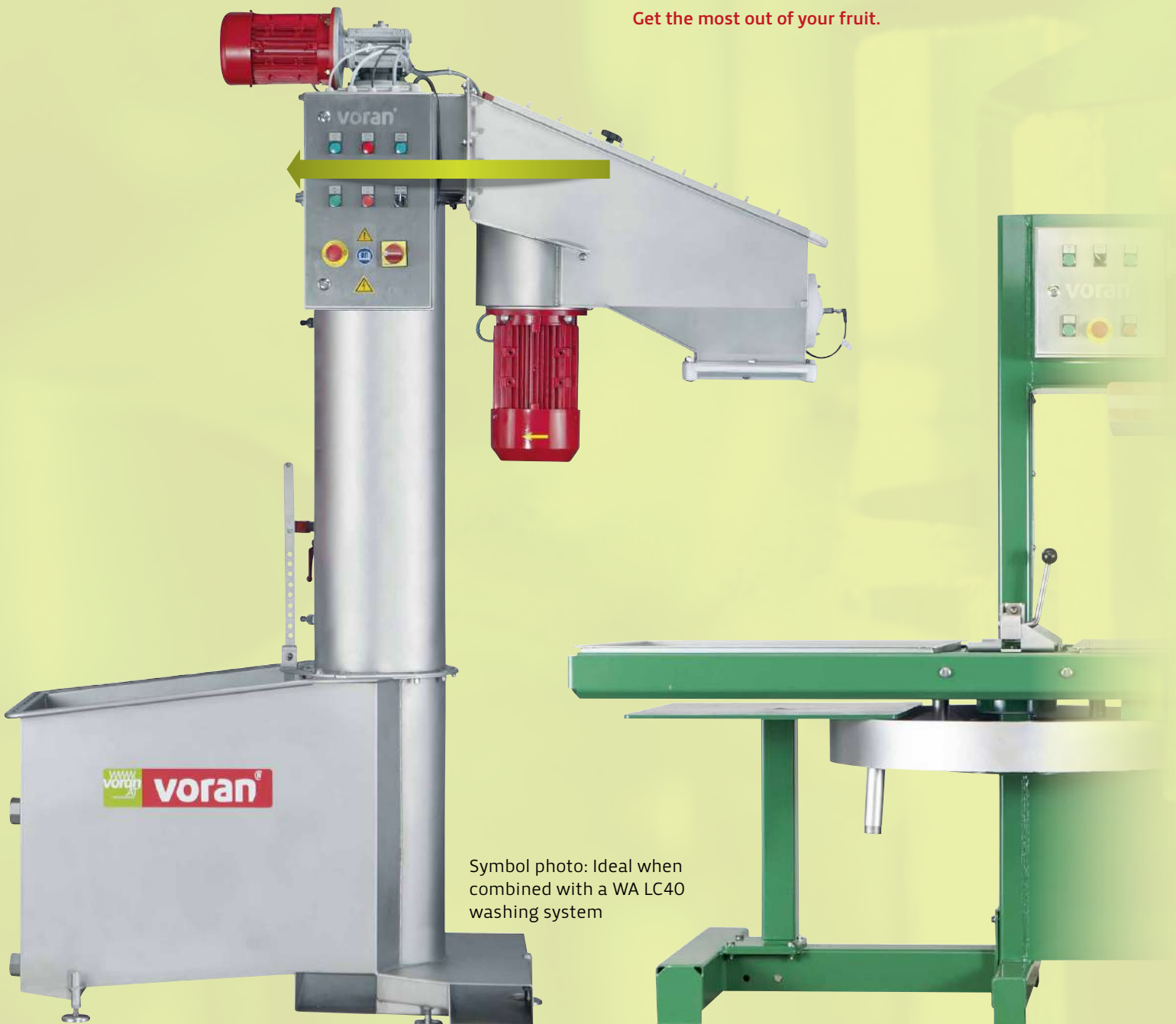
Our packing presses enable a more efficient pressing process. The pivot operation enables the emptying and filling of the second container during the pressing process. Depending on the desired production quantity, we deliver packing presses in two different sizes: with hourly output of 600 (100P2) or 1,200 kilograms (180P2).

The result is always clear: up to 75% yield with a very low suspension ratio.

## The highlights of the 180P2

- All parts that come into contact with the fruit are made of food-grade stainless steel, wood or plastic.
- Simple operation
- Hydraulic cylinders located below—hydraulic oil cannot enter the mash
- Presses with flat position without foundations
- Massive design
- Over-pressure valve
- A press ram subdivided by inserts ensures the juice runs off quickly. This has a high work speed therefore lower oxidation.

**Get the most out of your fruit.**



Symbol photo: Ideal when combined with a WA LC40 washing system

# The work horse – 180P2



**Accessory package**  
Acacia wood or stainless steel press inserts and fabrics made from resistant polyester



Packing press 180P2 with lift/lower device

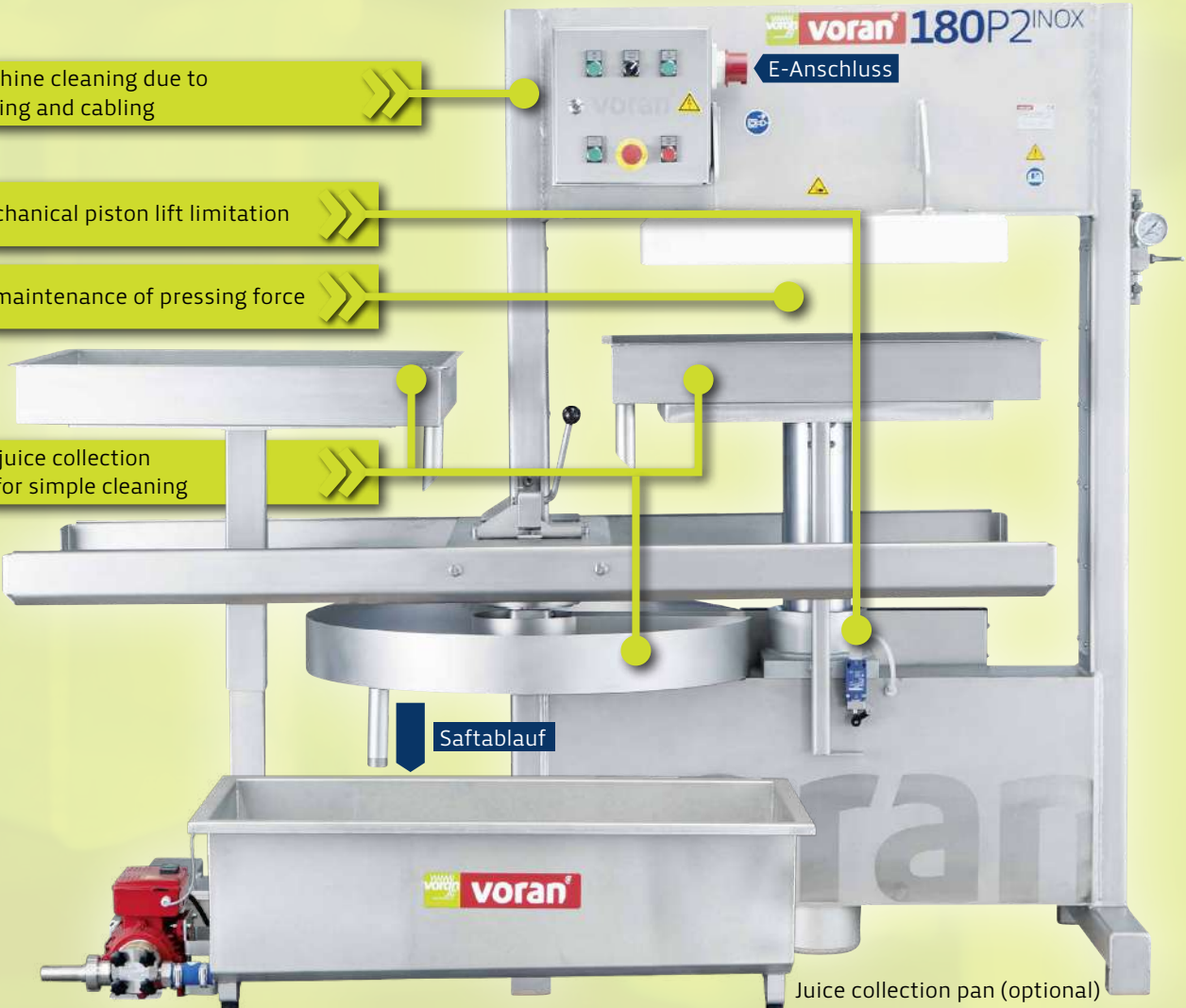
Packing press 180P2 with lift/lower device

Simple machine cleaning due to internal piping and cabling

Electro-mechanical piston lift limitation

Automatic maintenance of pressing force

Removable juice collection containers for simple cleaning

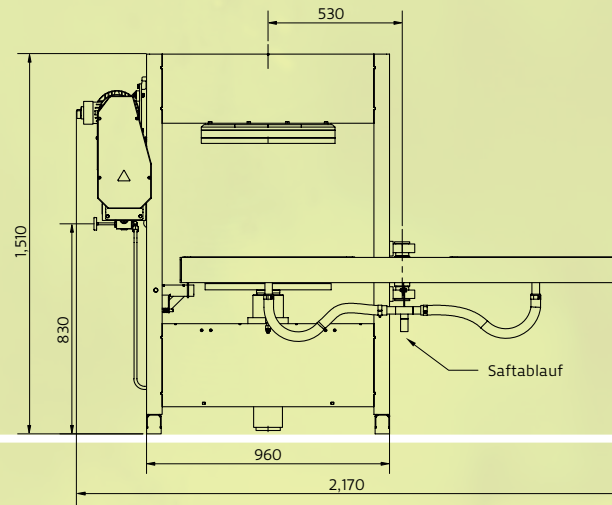


Saftablauf

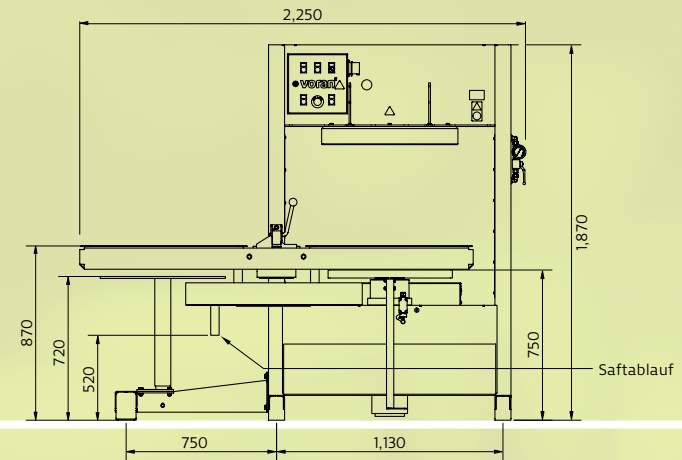
Juice collection pan (optional)

# Technical data

## 100P2



## 180P2 with lift/lower device



Type	100P2	180P2   180P2 inox
Maximum hourly output in l/h	600	1,200
Power consumption in kW	1.5	2.2
Electrical connection*	400V / 50Hz (three-phase)	400V / 50Hz (three-phase)
Dimensions length/width/height in mm	2,170 / 730 / 1,510	2,250 / 850 / 1,870
Weight in kg	295	1,020
Insert size in cm	50 x 50	65 x 65
Fabric size in cm	80 x 80	100 x 100
Design	Steel coated	Steel coated/stainless steel
Delivery scope	18 press fabrics 80x80 cm, 20 press inserts 50x50 cm**	180P2: 22 press fabrics 100x100 cm, 24 press inserts 65x65 cm** 180P2 inox: 24 press fabrics 100x100 cm, 26 press inserts 65x65 cm**

\*Other voltages and net specifications on request

\*complies with EC 1935/2004 \*\*for 180P2 inox made of stainless steel, otherwise acacia wood

# voran.at

voran business lines

- machines
- machine construction
- plant construction
- facades

How to find us



**voran** Maschinen GmbH  
 Production & Sales  
 Inn 7  
 A 4632 Pichl bei Wels  
 Austria | Europe  
 T +43 (0) 72 49 / 444-0  
 F +43 (0) 72 49 / 444-888  
 office@voran.at · www.voran.at

**Service hotline**  
 T +43 (0) 72 49 / 444-200