

voran[®]

machinery

Elevators SA200/SA300/SA400



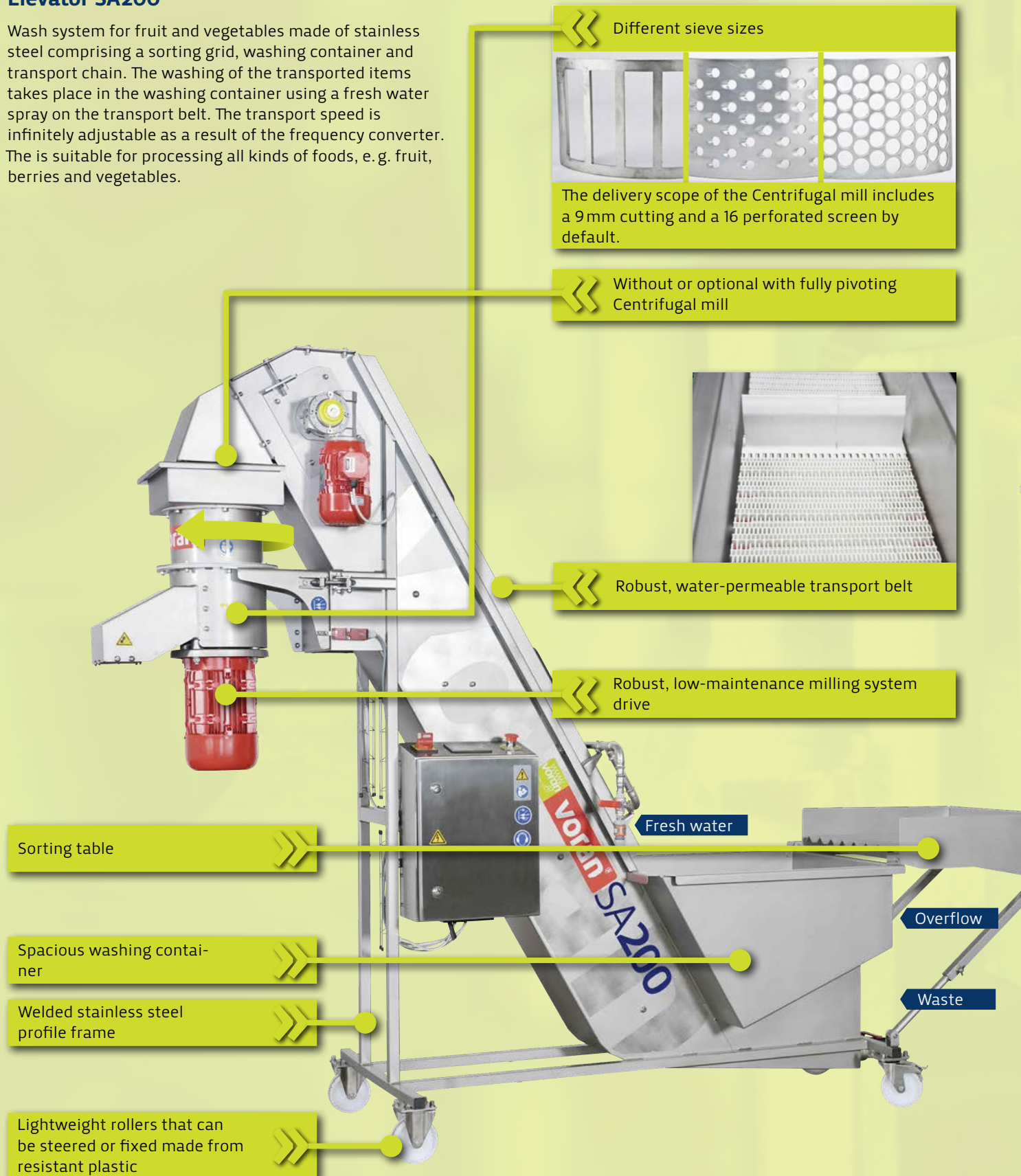
Elevators SA200/SA300/SA400 4/18

English

Clean and gentle

Elevator SA200

Wash system for fruit and vegetables made of stainless steel comprising a sorting grid, washing container and transport chain. The washing of the transported items takes place in the washing container using a fresh water spray on the transport belt. The transport speed is infinitely adjustable as a result of the frequency converter. The is suitable for processing all kinds of foods, e.g. fruit, berries and vegetables.



Different sieve sizes

The delivery scope of the Centrifugal mill includes a 9 mm cutting and a 16 perforated screen by default.

Without or optional with fully pivoting Centrifugal mill

Robust, water-permeable transport belt

Robust, low-maintenance milling system drive

Sorting table

Spacious washing container

Welded stainless steel profile frame

Lightweight rollers that can be steered or fixed made from resistant plastic

Fresh water

Overflow

Waste

Elevator SA300

The SA300 perfectly fits in performance into the voran® product range. Despite lower hourly output, the SA300 convinces with the same characteristics and advantages as the SA400. For getting best crushing results of vegetables the machine can be equipped optionally with a suitable tool.

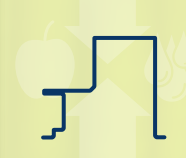
Removable centrifugal mill for various arrangement options in the whole system and for simpler cleaning

Wash chop



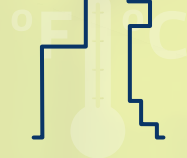
SA-Series
WALC40
WAR65

Press



EBP-Series
EP-Series

Pasteurize



PA-Series

Equipped with a coarse filter for the circulation water



Floor drainage of the machine

Strong and fast



The usage with a Packing press is possible with optional dosing hopper.

Removable centrifugal mill for various arrangement options in the whole system and for simpler cleaning

Simple, easy-to-clean design with affordable sieve inserts



The delivery scope of the Centrifugal mill (SA300 and SA400) includes a 7 mm, 9 mm and 12 mm cutting screen by default.

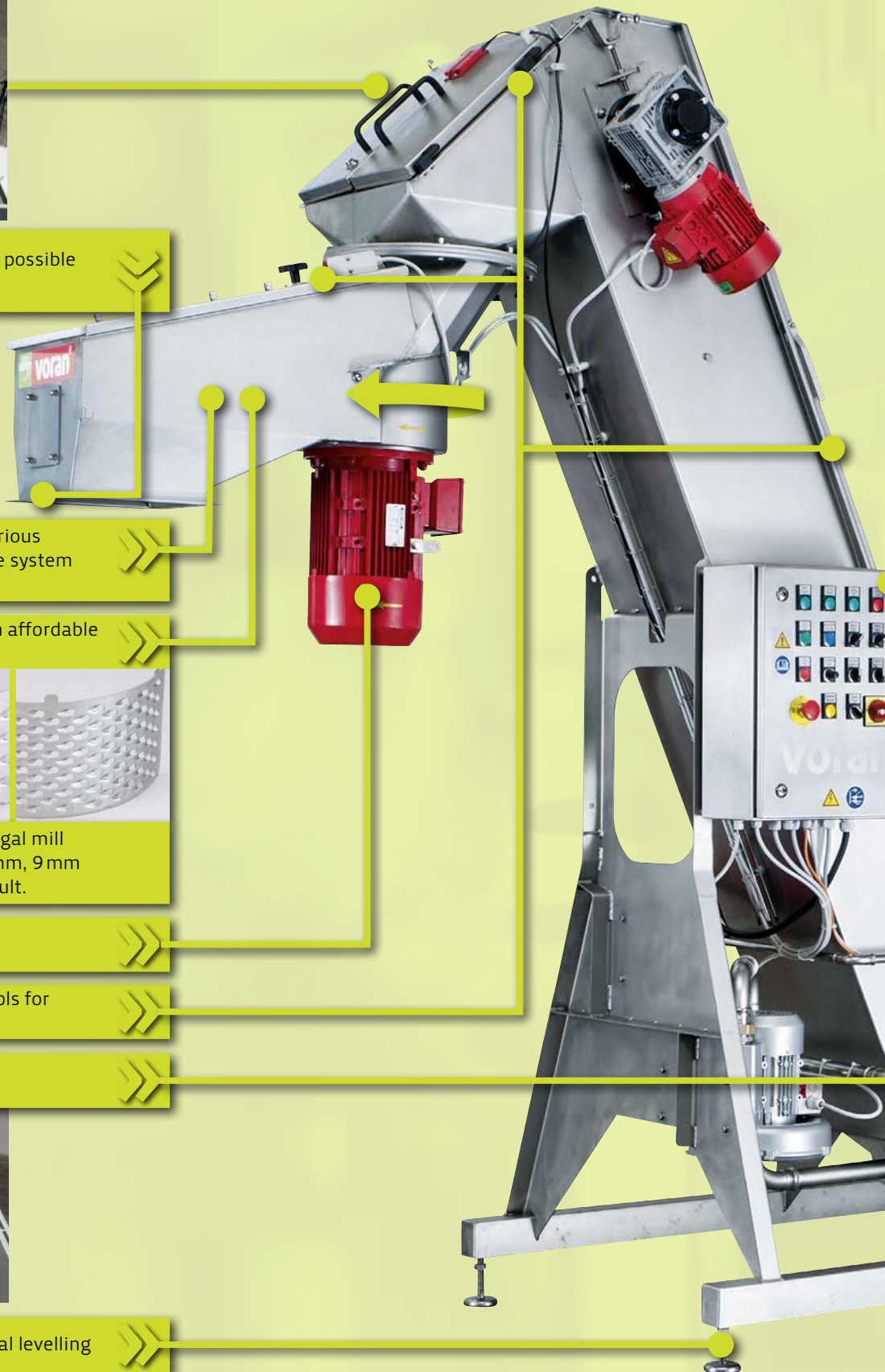
Simple, robust drive

Covers can be opened without tools for simple cleaning

Removable sieve baskets



Adjustable machine bases for ideal levelling



Elevator SA300 / SA400

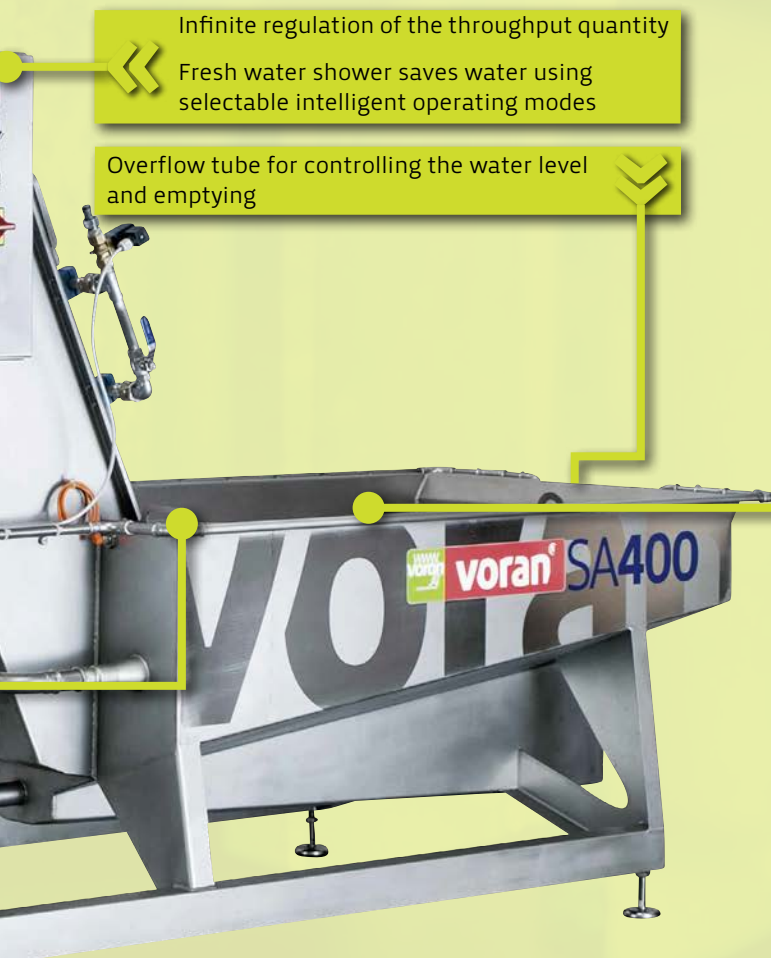
With the SA300 as well as the SA400 we offer a perfectly matched and strong combination of a wash and grinding system. The combined washing system on the one hand cleans using air blown from water stored below (only with the SA400) and on the other by using flowing cutters.

The fresh air blown from the water of the SA400 keeps the fruit in constant movement. The contact cleans the fruit as they hit each other in the flowing water.

This flow of water on the grinding system affects the opposite cutting edges and thus removes swimming foreign bodies that are then collected in the capture baskets. These can be removed without tools and during operation. The flow system also allows the water container to be emptied completely. The built-in water jet keeps the fruit in constant movement and leads the fruit to the conveyor belt of the Elevator.

Due to its similar machine structure, the Elevator SA300 and SA400 only differ in its performance widely and convenience through its characteristics and advantages:

- Saves water through selectable operating mode of the fresh water jets
- Overflow monitoring
- Mill can be tilted by 180° without tools
- Covers can be opened without tools for simple cleaning
- High-pressure cleaner connection for cleaning the link conveyor
- All voran® Elevators can be filled with a Bulk bin tipper



Infinite regulation of the throughput quantity

Fresh water shower saves water using selectable intelligent operating modes

Overflow tube for controlling the water level and emptying

The floor area under the machine can be cleaned easily.



The diagram shows the SA400-RM75 with open doors and centrifugal mill removed

Recirculating flow system for transporting fruit continuously out of the washing container

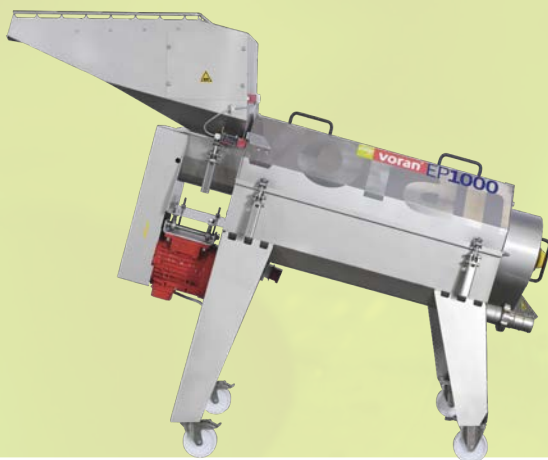
Additions

Due to its wide performance spectrum, the voran® Elevators offer different options for upstream and downstream machine combinations.

Bulk bin tipper GKE

The bulk bin tipper is designed to empty standard and special format large boxes of fruit at a controlled rate. Bulk boxes can be positioned on tipping system by hand truck or forklift. The whole tipping process takes around 20 seconds and can easily be stopped in any position. The complete system is built in stainless steel and features an integrated hydraulic power unit.

Every voran® Elevator can be filled up with a voran® Bulk bin tipper.



De-stoning machine EP1000

The flow of raw material is regulated by a belt-driven central auger. The DN65 connection for the mash outlet leads directly to the mash pump or mash basin.

Stones are ejected separately. The main cover can be removed without tools so that the screen for straining berries can quickly and easily be replaced with a screen for processing cherries, plums, apricots and other types of stone fruit.

Our mashing units are basically suited to separating hard and soft materials.

Belt press EBP580

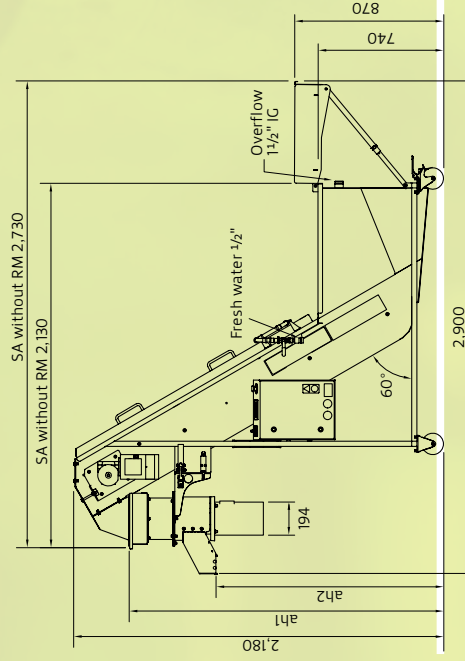
This belt press is operated fully automatic and continuous, requiring only very limited monitoring effort. The stepless regulation of the pressing speed and force guarantees optimal juice quality and a high yield of up to 75%.

The Belt press is selected according to capacity requirements.



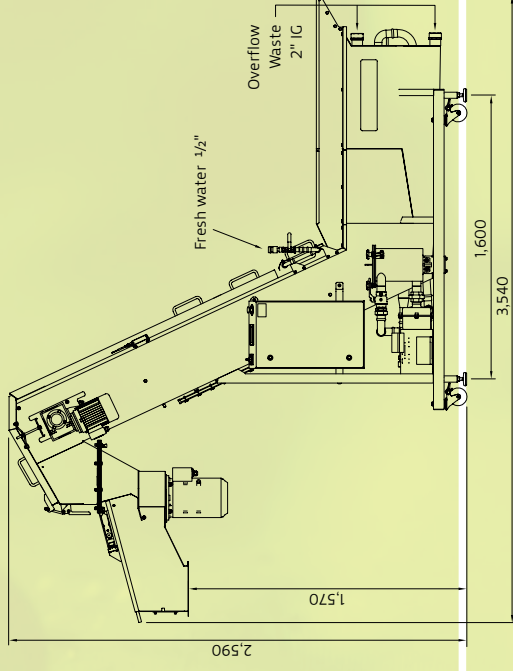
Technical data

SA200

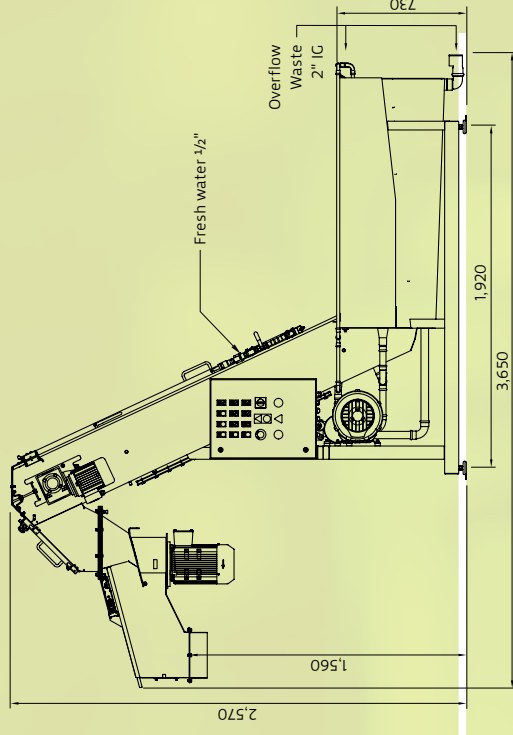


Scale drawing shows SA200 with optional centrifugal mill RM2,2

SA300



SA400



Type	SA200 solo	SA200 -RM2,2	SA300	SA400
Belt width in mm	230	230	300	400
Nominal output in kg/h	1.000	1.000	1.000 – max. 3.000	3.000 – max. 8.000
Drive power / mill in kW	0.25	0.25 / 2.2	0.55 / 4	0.55 / 7.5
Total connection output in kW	0.25	2.45	6.75	11.1
Electrical connection*	230V / 50Hz (single phase, 16A)	400V / 50Hz (three-phase, 16A)	400V / 50Hz (three-phase, 16A)	400V / 50Hz (three-phase, 32A, neutral line required)
Dimensions length/width/height in mm	2,730 / 730 / 2,180	2,900 / 730 / 2,180	3,540 / 940 / 2,590	3,650 / 980 / 2,570
Weight in kg (dry)	190	190 + 32 (mill)	350	510
Fruit feed height in mm	740	740	850	720
Mash delivery height (ah)	ah1 = 1,850	ah2 = 1,330	1,570	1,560
Complies with EC 1935/2004	✓	✓	✓	✓
Connection for cleaning	G ^{1/2} " AG	G ^{1/2} " AG	G ^{1/2} " AG	HD M22x1,5 oder G ^{1/2} " AG
Fresh water connection	1/2" IG	1/2" IG	1/2" IG	1/2" IG
Connection for waste water and overflow	1 1/2" IG	1 1/2" IG	2" IG	DN50/75

*Other voltages and net specifications on request

voran.at

voran business lines

- machines
- machine construction
- plant construction
- facades

How to find us



voran Maschinen GmbH
 Production & Sales
 Inn 7
 A 4632 Pichl bei Wels
 Austria | Europe
 T +43(0) 72 49 / 444-0
 F +43(0) 72 49 / 444-888
 office@voran.at · www.voran.at

Service hotline
 T +43(0) 72 49 / 444-200