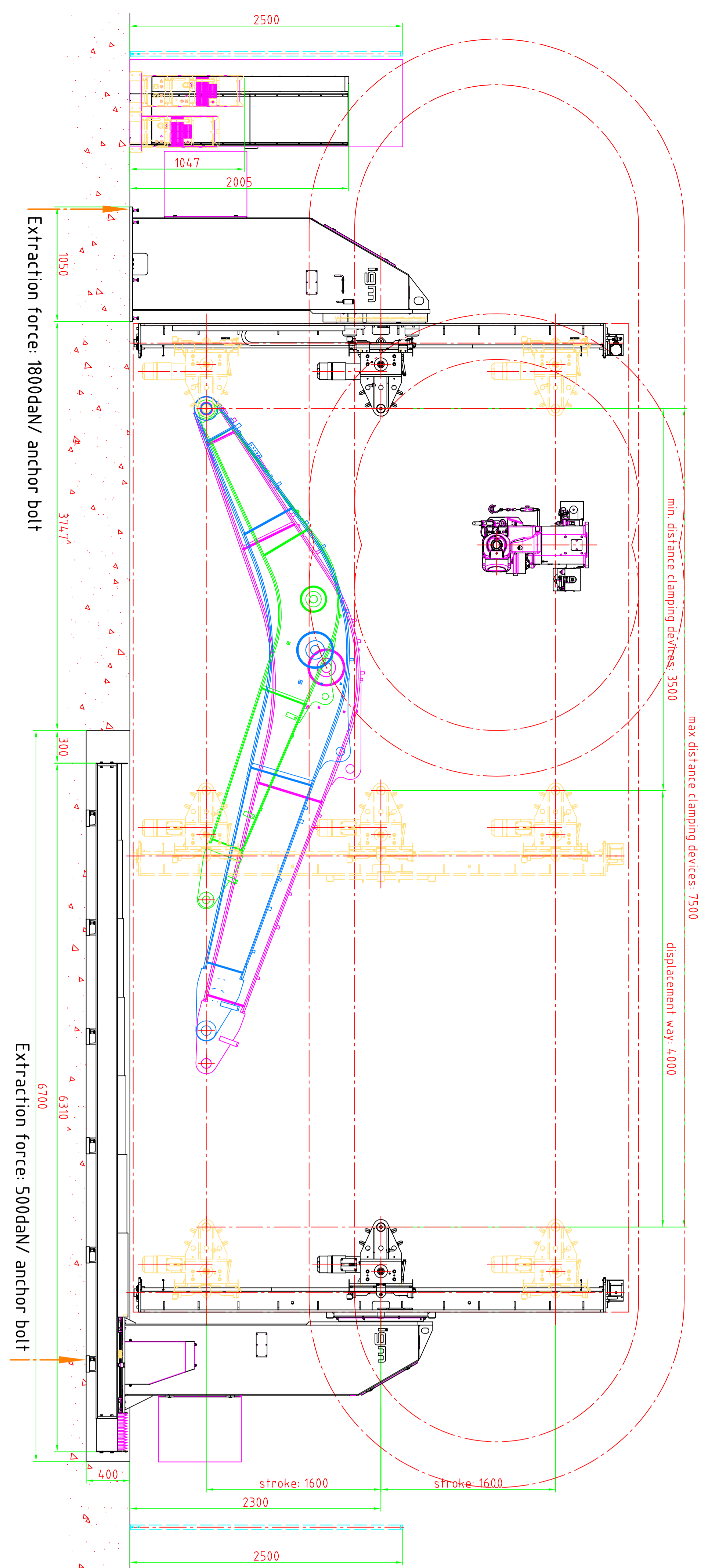
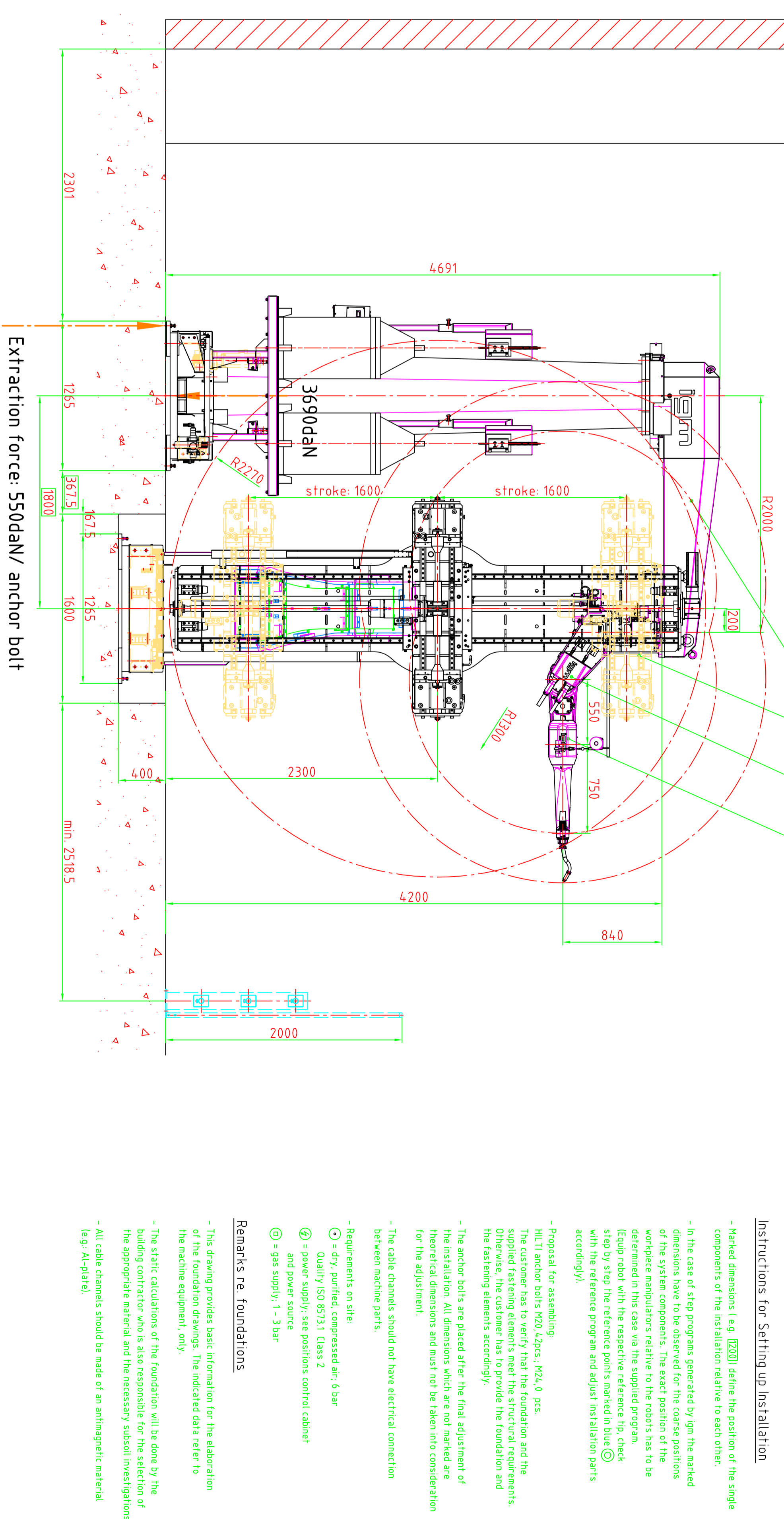


section A-A  
(only workplace perimeter)



section B-B



1000mm

**Instructions for Setting up Installation**

- Headed dimension (e.g. Ø250) define the position of the single components of the installation relative to each other.
- In the case of 2 top projects generated by the same dimensions have to be observed for the correct positions of the system components. The exact position of the components is determined by the software program. The dimensions are determined in this case as the software program. (Round) note with the respective reference line. Check every step the reference points marked (blue circle) with the software program and adjust (if necessary) accordingly.
- Proposed for installation:
  - 1) number: 4000, 4000, 102, 0, 0
  - 2) number: 4000, 4000, 102, 0, 0
- The customer has to verify that the foundation and the required starting elements meet the structural requirements of the system. The customer is responsible for the design of the starting elements accordingly.
- The anchor bolts are placed after the final adjustment of the installation. All dimensions which are not marked are theoretical dimensions and must not be taken into consideration for the adjustment.
- The cable channel should not have electrical connection between machine parts.
- Requirements on site:
  - = dry, purified, compressed air, 6 bar
  - = quality ISO 90/31, 0.3µm 5
  - = power source
  - = 3-phase supply, 1 ~ 3 bar

**Remarks re Foundations:**

- This drawing provides basic information for the dimension of the foundation drawings. The indicated data refer to the machine equipment only.
- The static calculations of the foundation will be done by the building contractor who is also responsible for the selection of the appropriate material and the necessary technical investigations.
- All cable channels should be made of an antiseptic material (e.g. Al-plate)

EA

A16

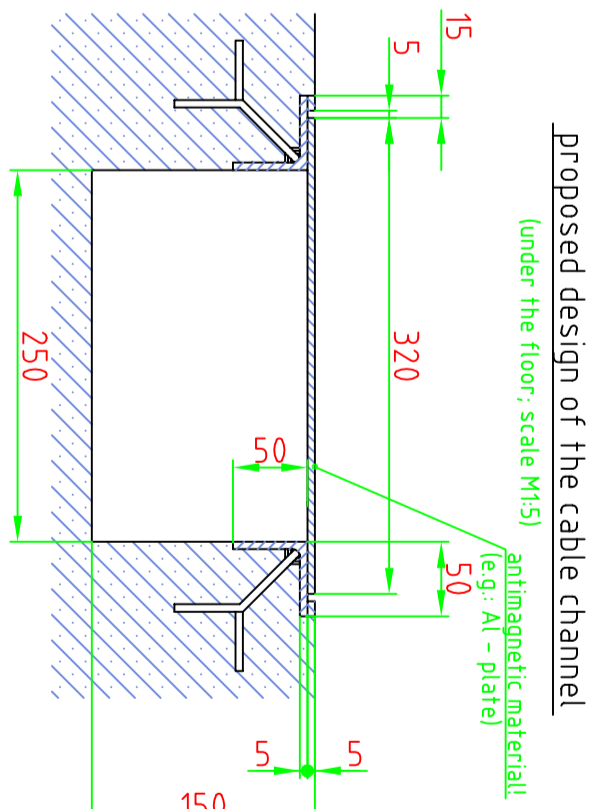
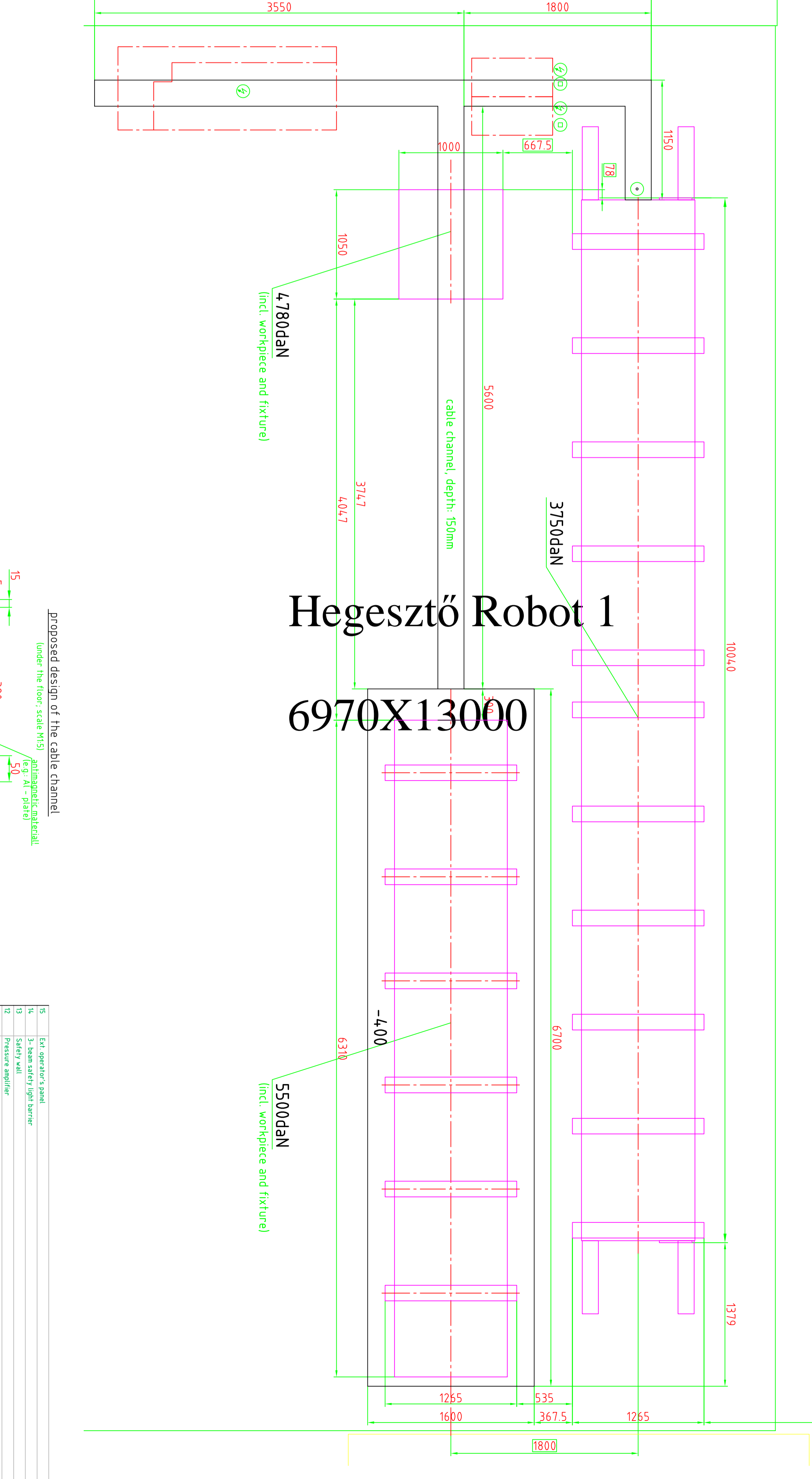
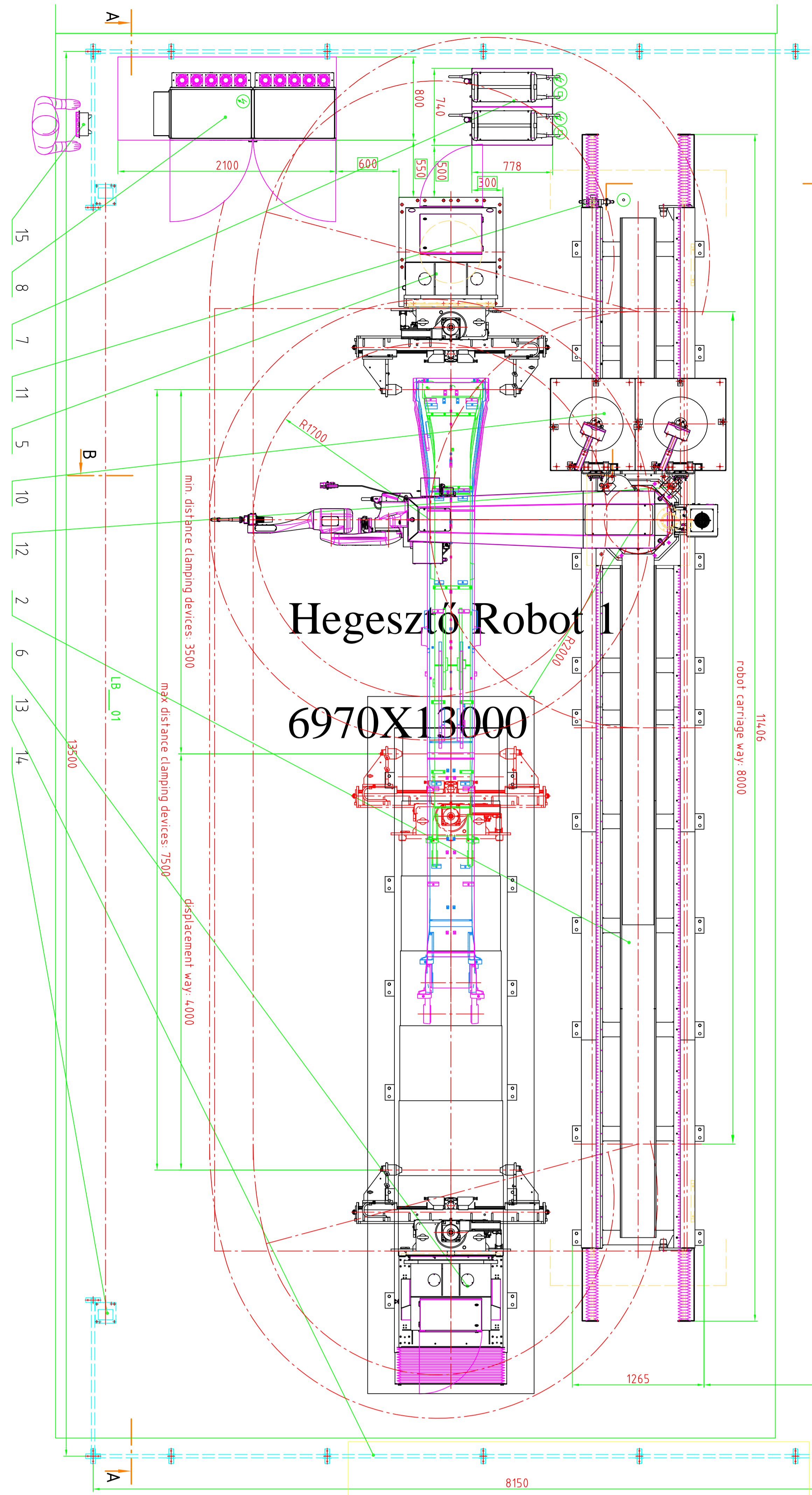
A17

EA15

A16

A17

Foundation



1	Contract	igmm	igmm
2	Project name	Fortaco H2 "boom"	Fortaco H2 "boom"
3	Project location	125	125
4	Project start	2020/07	2020/07
5	Project end	2021/06	2021/06
6	Project status	Completed	Completed
7	Project manager	igmm	igmm
8	Project engineer	igmm	igmm
9	Project designer	igmm	igmm
10	Project drafter	igmm	igmm
11	Project checker	igmm	igmm
12	Project approver	igmm	igmm
13	Project reviewer	igmm	igmm
14	Project verifier	igmm	igmm
15	Project auditor	igmm	igmm
16	Project sign-off	igmm	igmm
17	Project close-out	igmm	igmm
18	Project archive	igmm	igmm
19	Project disposal	igmm	igmm
20	Project termination	igmm	igmm