

400 V AC
50/60Hz 6A
3P+E
LINE PROTECTION REQUIRED
VAR AC/DC RCD RECCOMENDED

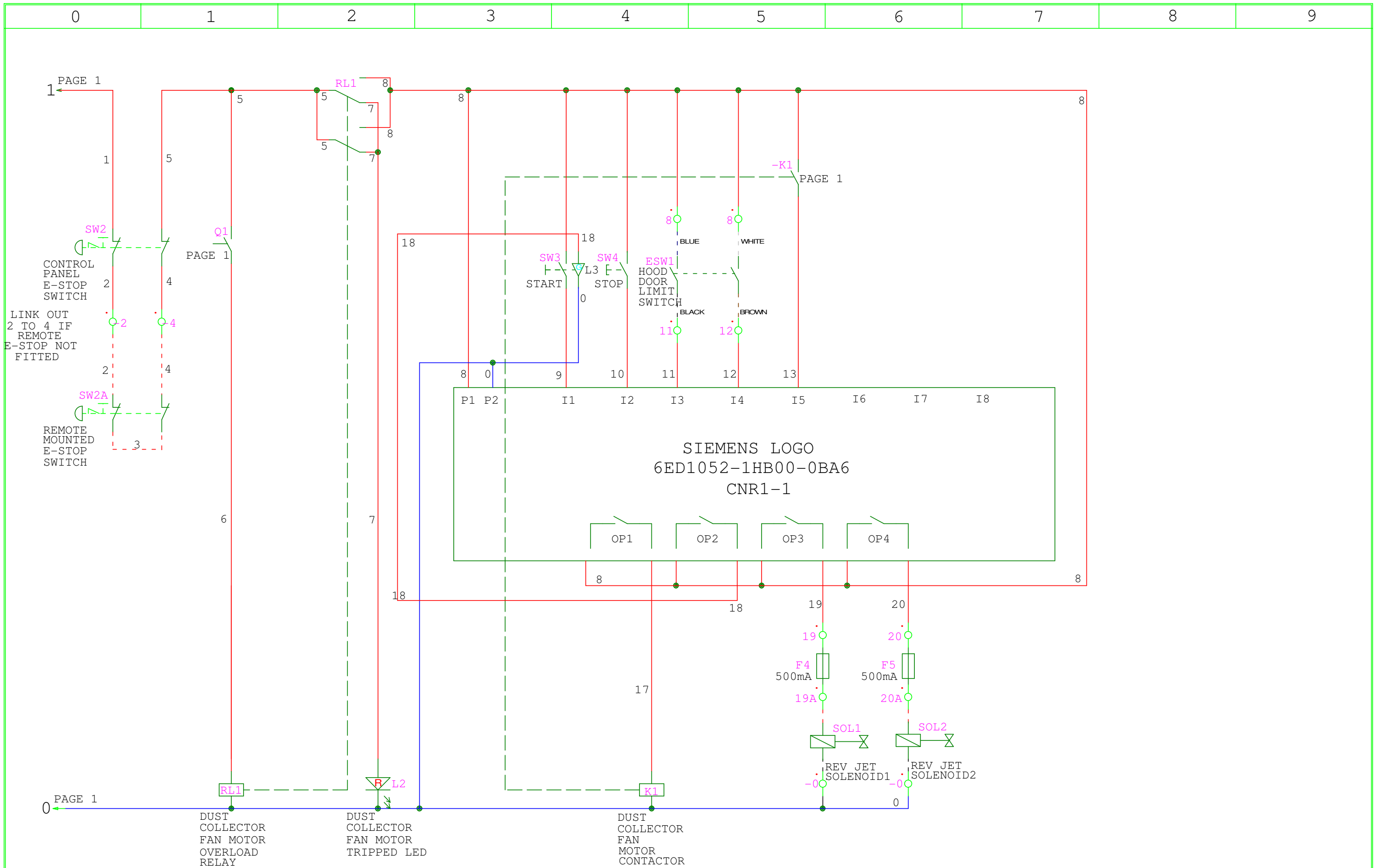
DUST COLLECTOR MOTOR

MOTOR TYPE WIRING ARRANGEMENT

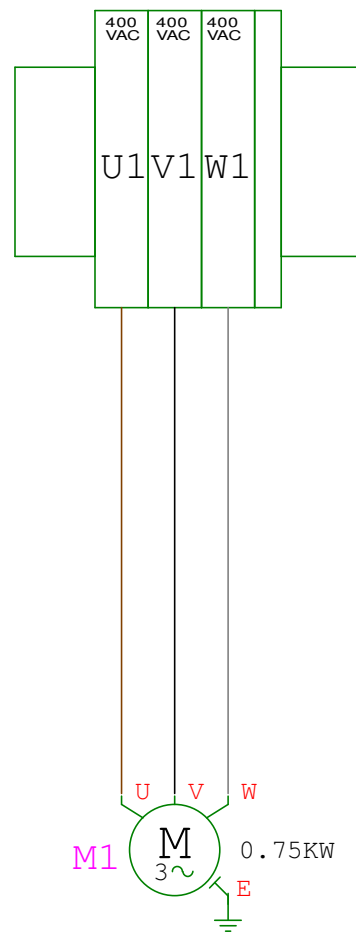
 = 230/400
 = 400/690

ALL WIRES 1.0MM CSA UNLESS OTHERWISE STATED
ALL 400VAC WIRES SCREENED CY

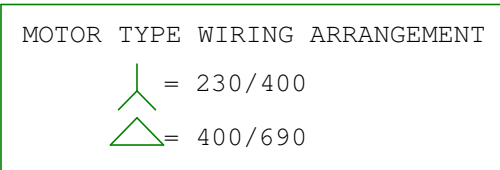
				date	PREMIER FOODS GROCERY	BAG DUMP DUST COLLECTOR CONTROL PANEL		POWER/MOTOR DETAIL		=
B	AS BUILT	15/02/13	KAC	editor	12349			G.H.H.	W25802	page 1
A	REL	15/11/12	GHH	check					of 5 pages	
rev.	change	date	name	norm	source	substitute for	replaced with			



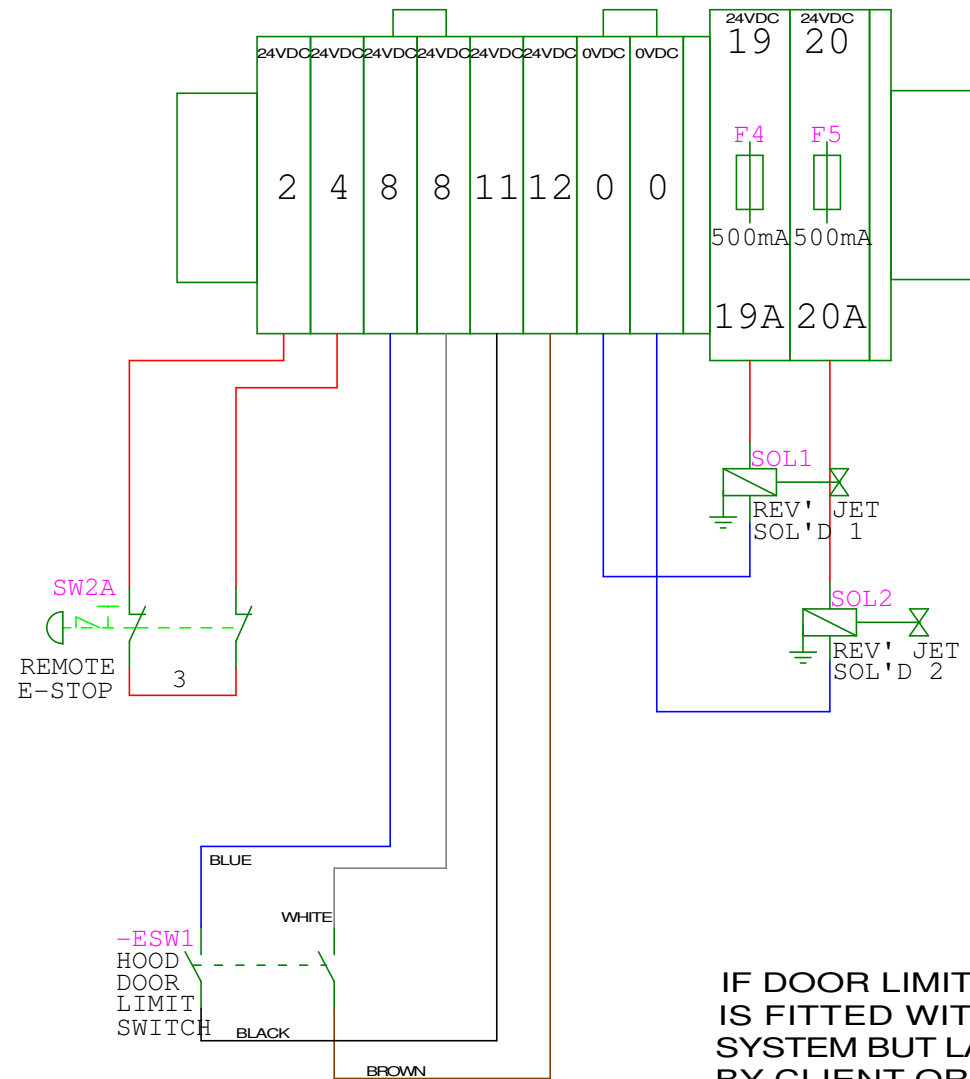
				date	PREMIER FOODS GROCERY	BAG DUMP DUST COLLECTOR CONTROL PANEL	flexicon	CONTROL CIRCUIT DETAIL		=
			editor	12349				G.H.H.	W25802	page 2
rev.	change	date	name	norm				source	substitute for	replaced with



DUST COLLECTOR MOTOR



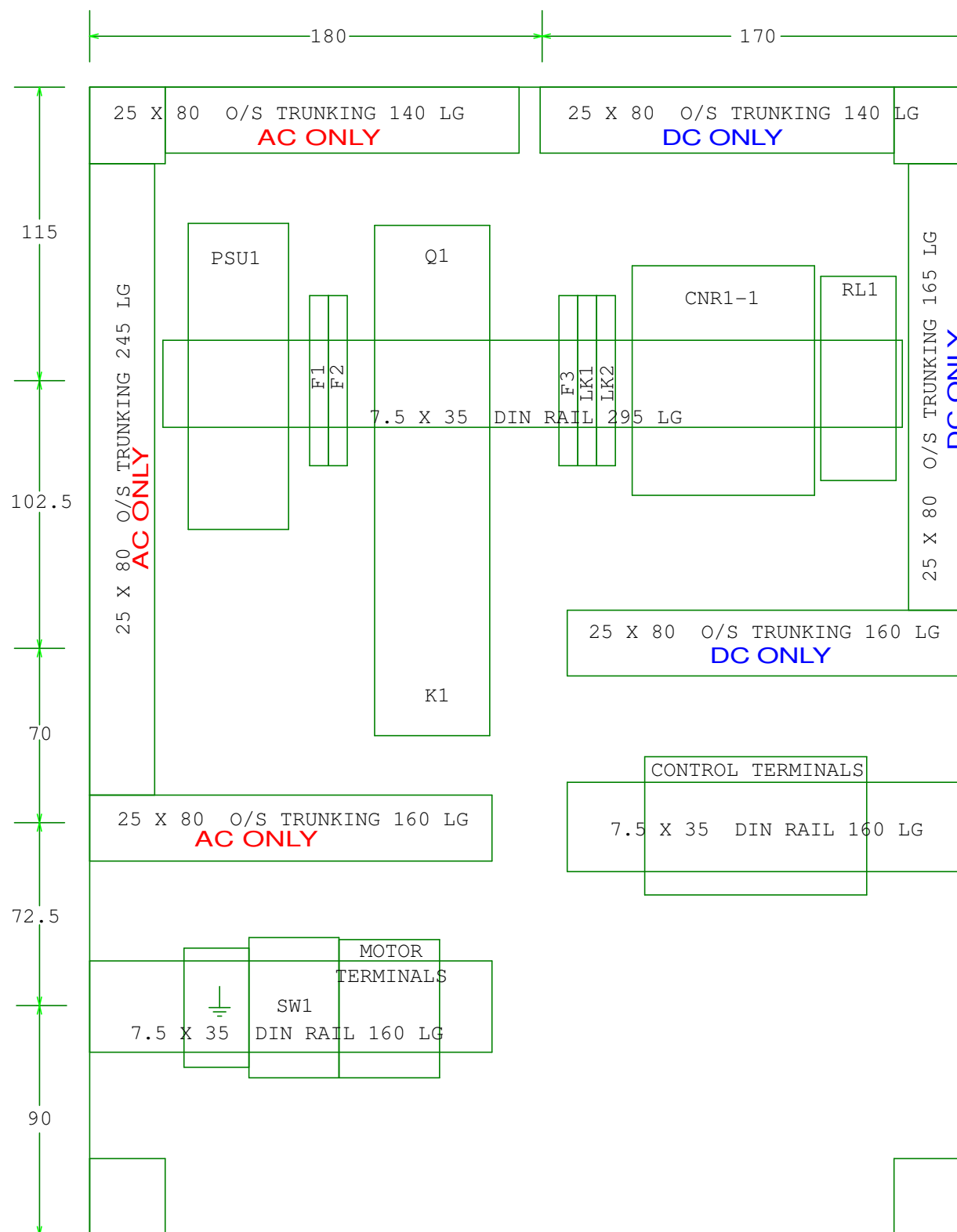
IF DUST COLLECTOR MOTOR ROTATES IN WRONG DIRECTION SWAP OUTPUT WIRES FROM TERMINALS TO MOTOR V1 & W1 IN OUTPUT SIDE OF TERMINALS.



LINK OUT TERMINALS 8/24 & 8/25 IF DOOR LIMIT SWITCH NOT FITTED

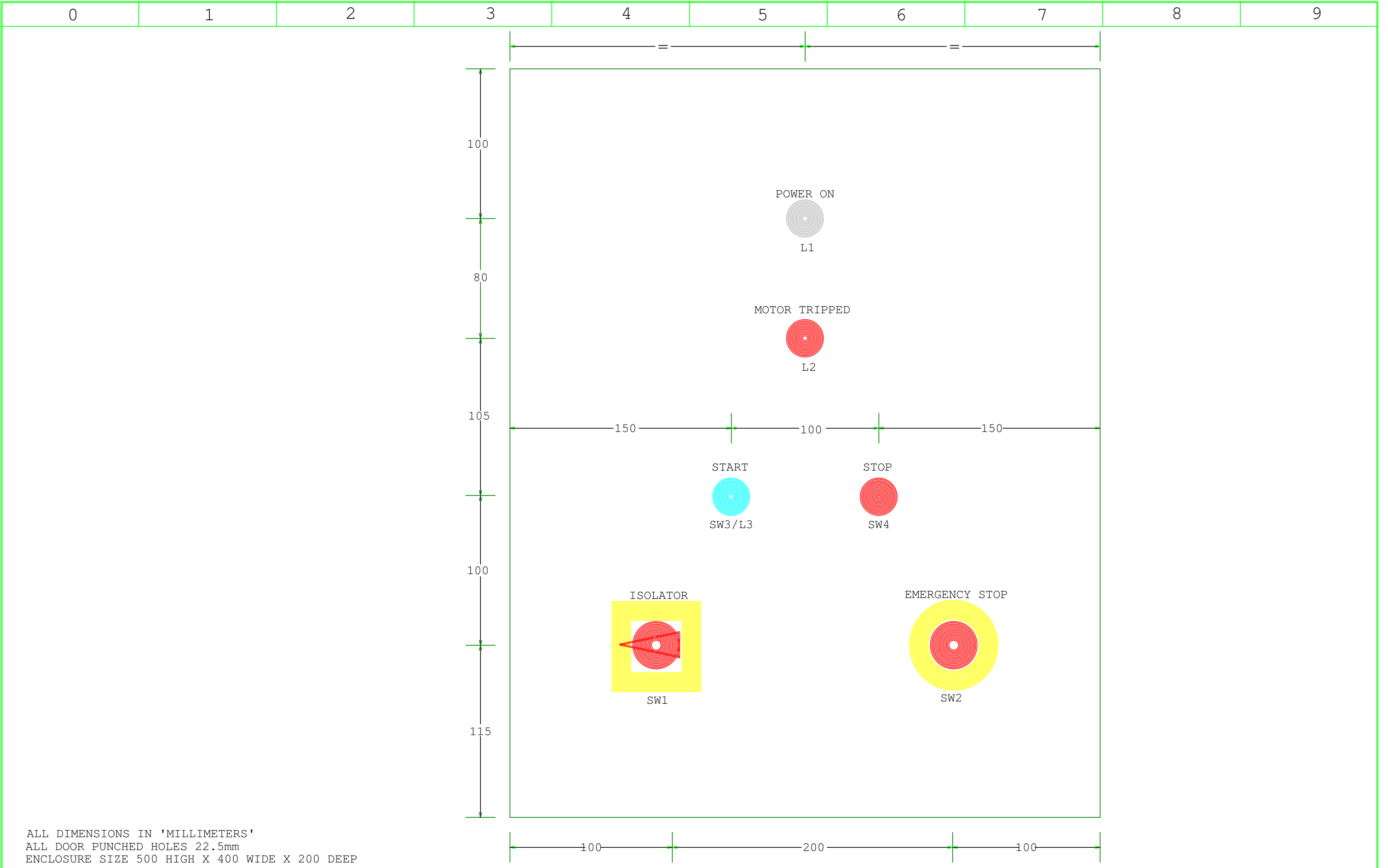
IF DOOR LIMIT SWITCH IS FITTED WITH SHIPPED SYSTEM BUT LATER REMOVED BY CLIENT OR SIMILARLY IF DOOR LIMIT SWITCH IS NOT FITTED WITH SHIPPED SYSTEM BUT FITTED LATER BY CLIENT A NEW PLC PROGRAM IS REQUIRED FOR CORRECT OPERATION - CONTACT FLEXICON (EUROPE) LTD CONTROL SYSTEMS DEP'T IF FITTING OR REMOVING A DOOR LIMIT SWITCH

				date	PREMIER FOODS GROCERY	BAG DUMP DUST COLLECTOR CONTROL PANEL		TERMINAL & EXTERNAL WIRING DIAGRAM	=
				editor	12349			G.H.H.	W25802
rev.	change	date	name	norm	source	substitute for	replaced with		page 3 of 5 pages




ALL DIMENSIONS IN MILLIMETERS
BASE PLATE SIZE 450H X 350W

				date	PREMIER FOODS GROCERY	BAG DUMP DUST COLLECTOR CONTROL PANEL		BACK PANEL LAYOUT		=		
			editor	12349				G.H.H.	W25802	page 4		+
rev.	change	date	name	norm				source	substitute for	replaced with	of 5 pages	



ALL DIMENSIONS IN 'MILLIMETERS'
 ALL DOOR PUNCHED HOLES 22.5mm
 ENCLOSURE SIZE 500 HIGH X 400 WIDE X 200 DEEP

				date	PREMIER FOODS GROCERY	BAG DUMP DUST COLLECTOR CONTROL PANEL		FRONT PANEL DETAIL		=		
			editor	12349								+ page 5
rev.	change	date	name	norm				source	substitute for	replaced with	G.H.H.	W25802