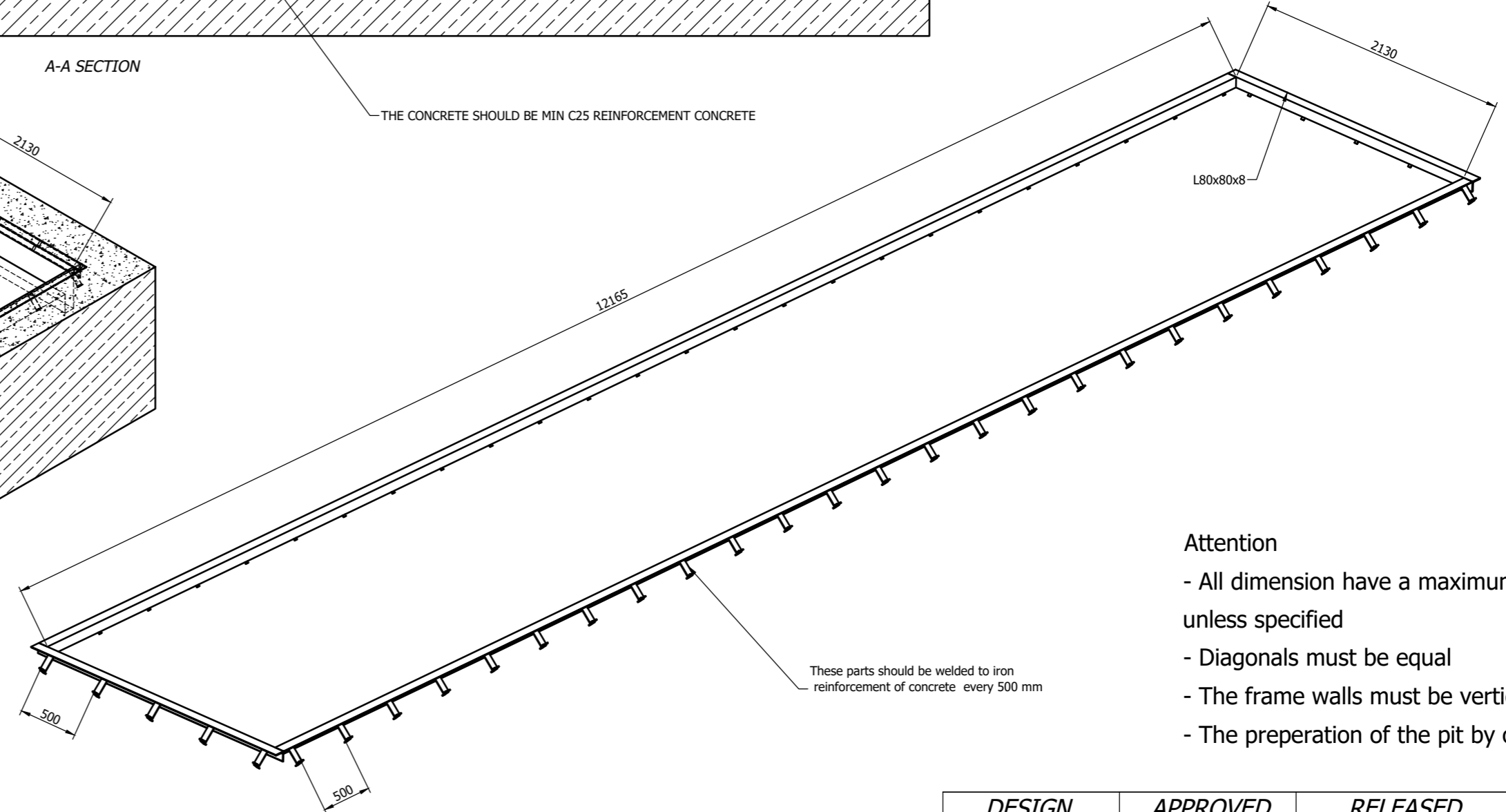
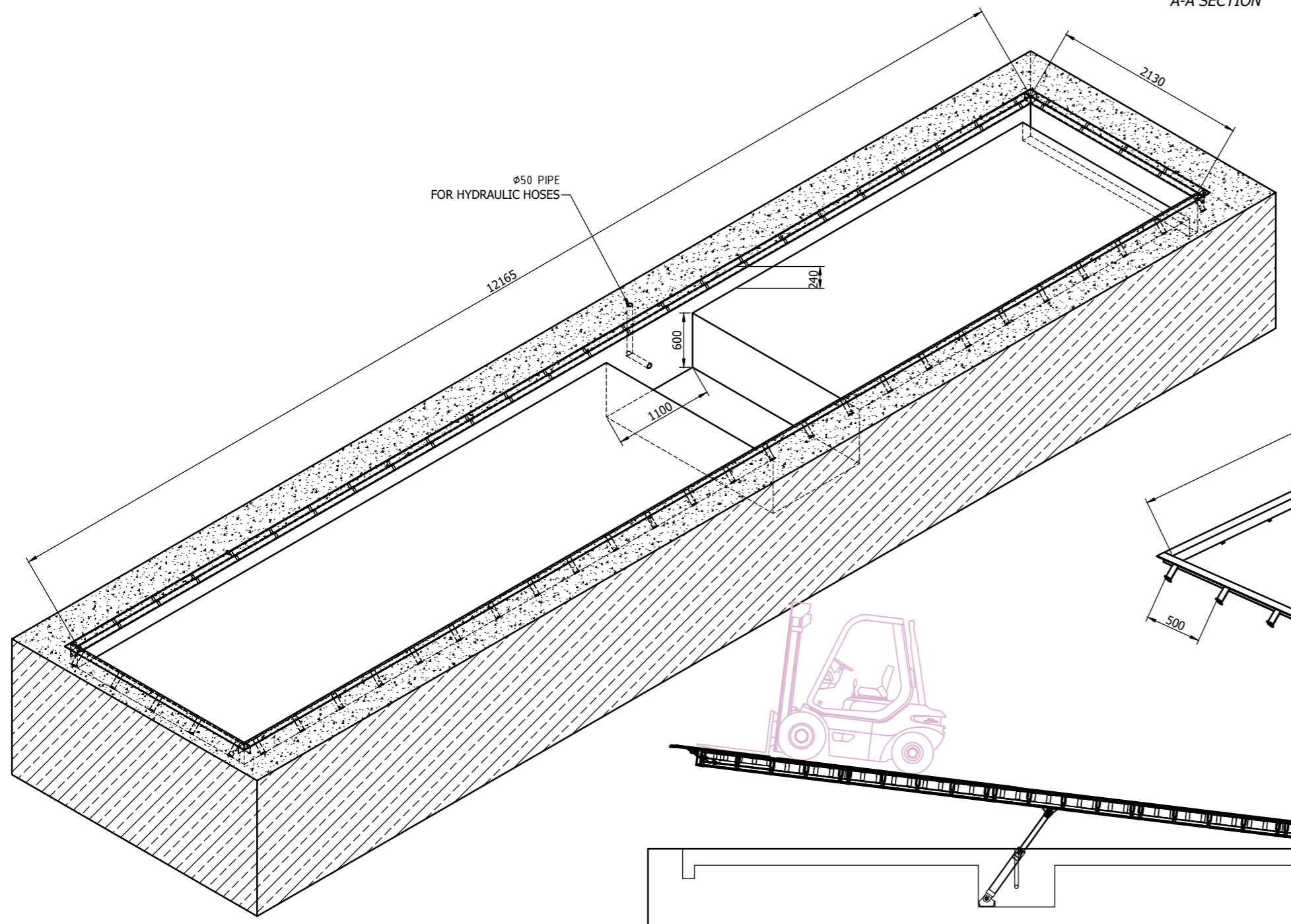
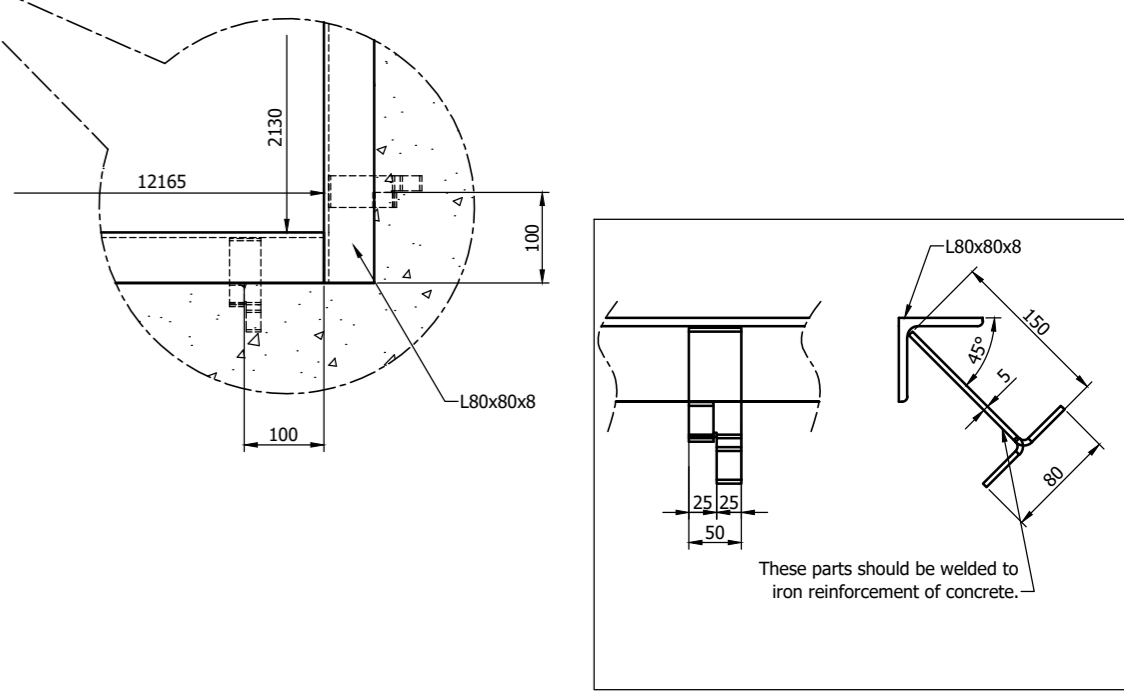
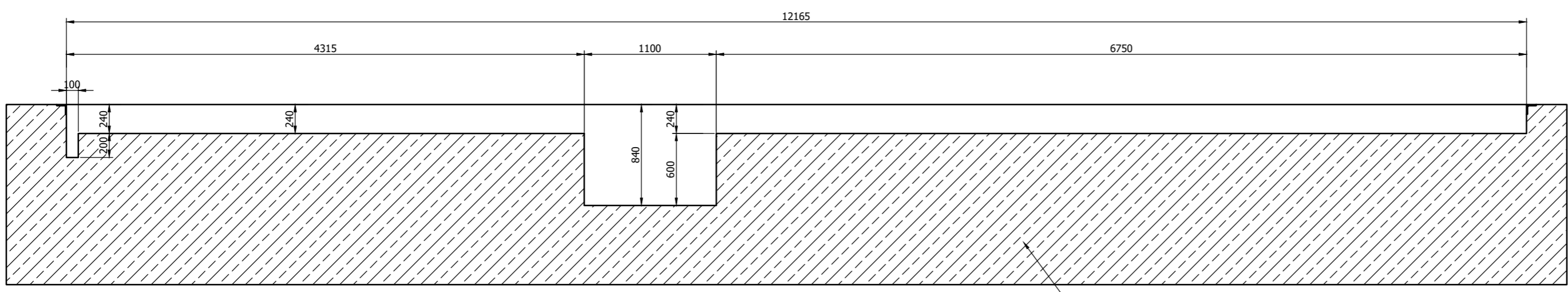


← TRUCK DIRECTION



- Attention
- All dimension have a maximum tolerance of + 5, unless specified
 - Diagonals must be equal
 - The frame walls must be vertical
 - The preparation of the pit by others



DESIGN	APPROVED	RELEASED	DATE
CANSEVER			28.05.2021
12000X2000 EMBEDDED LOADING RAMP			SCALE:
			Rev. No:
			Rev. Date:
			Resim No: T1T2T3