

Process liquid chiller for industrial application

EcoDesign compliant YES  
Mode AIR  
Mode Water chiller




Model **FAR014**  
Range **FLEXY**  
Code reference **FAR014eNP3BAFHV00-AZSM**  
Size **FLEXY 1**

<b>COOLING CAPACITY</b>	<b>kW</b>	<b>9,57</b>								
(Energy Efficiency Ratio) EER		2,48								
(Seasonal Energy Performance Ratio) SEPR	SEPR HT	5,00								
Electrical power absorbed	kW	3,86								
Referred at following conditions										
Inlet/Outlet water temperature	°C	12 / 7								
Ambient temperature	°C	35,0								
Fluid		Water								
Altitude	Metres s.l.	0,0								
Accuracy fluid temperature	°C	+/- 2								
Ambient working limits	°C	0 ÷ 45,0								
Set-point water working limits	°C	5,0 ÷ 30,0								
<b>REFRIGERANT GAS</b>										
Type / Safety class		R290								
GWP / Refrigerant group / Safety class		3 / I / A3								
<b>COMPRESSORS</b>										
Type		Semi-hermetic pistons								
Quantity	no.	1								
Nr. Circuits		1								
Part load	%	0-100								
<b>CONDENSER</b>										
Fan type		AXIAL FAN								
Quantity / Diameter	no. / mm	1 / 450								
Air flow	m3/h	6.500								
<b>EVAPORATOR</b>										
Evaporator type		PLATE EXCHANGER EVAPORATOR								
Nominal flow rate	m3/h	1,64								
Pressure drop	bar	0,32								
<b>HYDRAULIC CIRCUIT</b>										
<b>PUMP</b>										
Available pressure	bar	4,68								
<b>TANK</b>										
Storage tank capacity	l	120								
		Expansion tank 6 l								
<b>SOUND PRESSURE LEVEL</b>	<b>dB(A)</b>	<b>54,5</b>								
<b>[Hz] - Octave bands</b>										
	63	125	250	500	1000	2000	4000	8000	Power	Pressure
<b>d(B)A - Sound power level</b>										
	47,4	64,5	75,8	77,5	77,0	74,1	66,8	56,9	82,5	<b>54,5</b>
*d Distance 10 m										
<b>DIMENSIONS</b>										
W Width	mm	755,00								
D Depth	mm	1.410,00								
H Height	mm	1.580,00								
Size		FLEXY 1								
Weight	kg	425								
Hydraulic connections IN/OUT	(inch)	1"1/2								
<b>POWER SUPPLY</b>			400V(±10%) 3ph 50Hz							
Auxiliary circuit	V	24Vac								
IP protection class		IP54								
Max power absorbed	kW	5,85								
Max current absorbed	A	10,47								
Starting current	A	38,00								

We reserve, all the times, to modify or for technical modifications in order to improve all necessary information to the users.

Process liquid chiller for industrial application

EcoDesign compliant YES

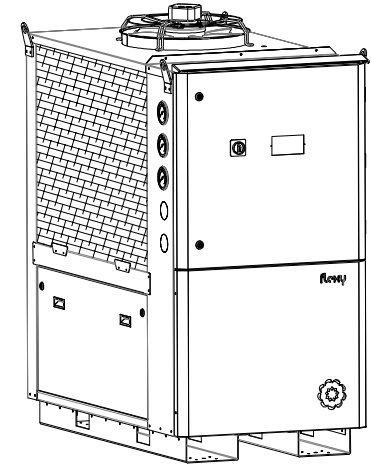
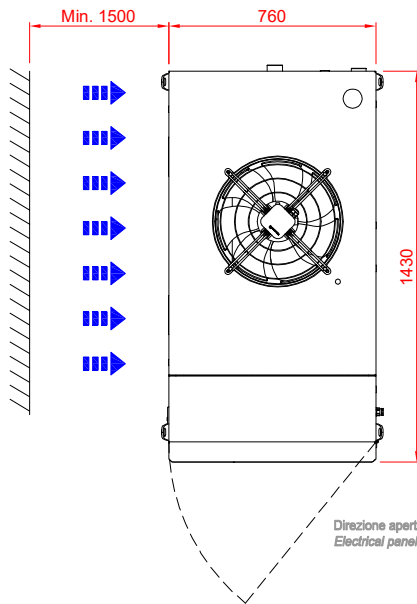
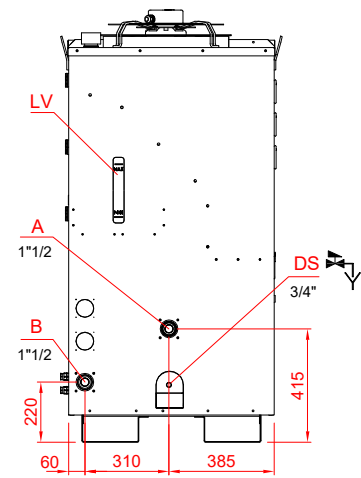
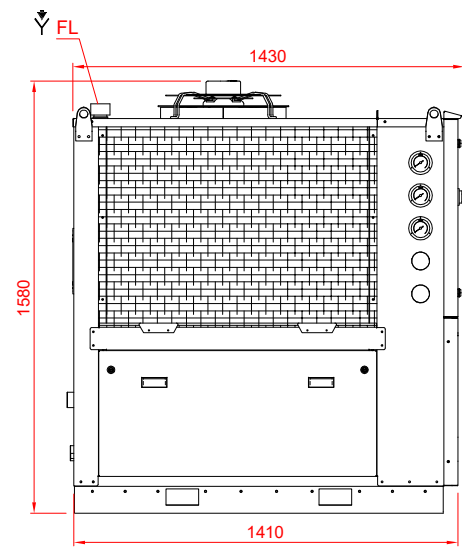
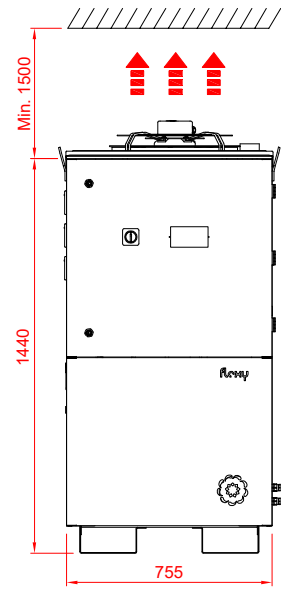
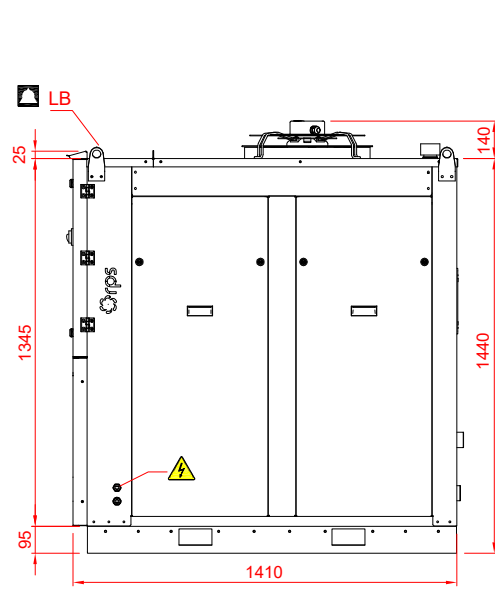
Mode AIR

Mode Water chiller



Model **FAR014**  
Range FLEXY  
Code reference FAR014eNP3BAFHV00-AZSM  
Size FLEXY 1





A	IN Inlet	-Con vasca e pompa - With tank and with pump -Senza vasca e senza pompa - Without tank and without pump
	OUT Outlet	-Senza vasca con pompa - Without tank and with pump
B	IN Inlet	-Senza vasca con pompa - Without tank and with pump
	OUT Outlet	-Con vasca e pompa - With tank and with pump -Senza vasca e senza pompa - Without tank and without pump
	Ingresso cavi alimentazione - Power supply cable entry	
	Spazi di rispetto - Installation area respect	
	Flusso aria condensazione - Condensing air flow	
	LB - Punto sollev. con barre - Lifting bars positioning	
	FL - Tappo di carico - Filling plug	
LV	LV - Livello visivo - Visual level	
	DS - Valvola scarico vasca - Drain tank valve	



**RPS Cooling S.r.l.**  
via Veneto n. 12/A  
46029 Suzzara (MN)  
Italy

Tel.: +39 0376 1430010  
web [www.rpscooling.com](http://www.rpscooling.com)  
sales@rpscooling.com

Name :	Angelo G.	
Date :	18-04-2019	REV.00
Name :		
Date :		

Dimensional drawing no.:	DM1000799
Unit :	FLEXY 1.1

Project no.:	---	
Total page	1	Page nr.
		1