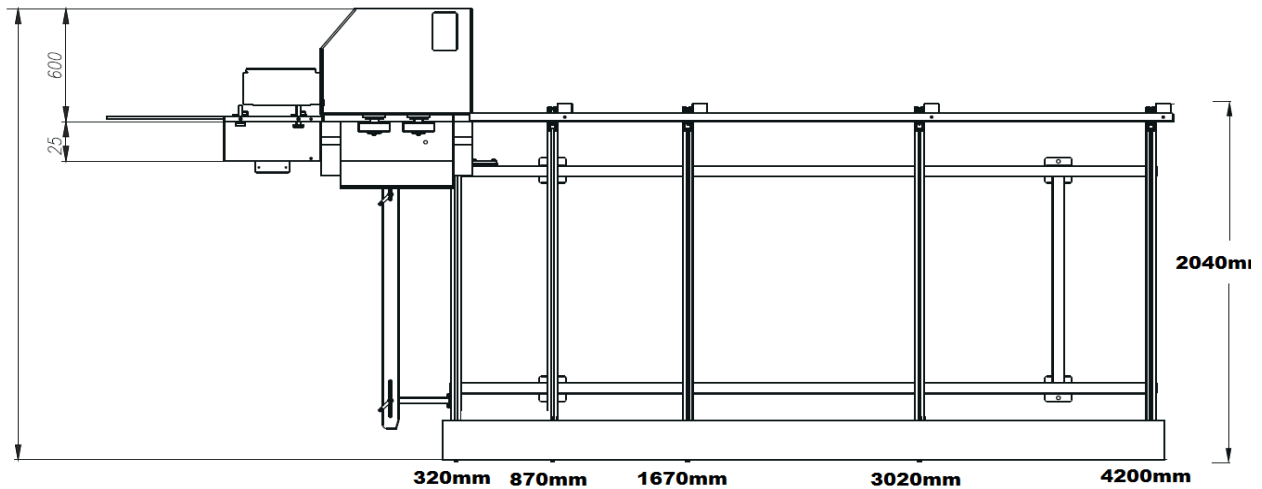




# LEVENTEK IF-100

*Moulder infeed*



## **Specification:**

Maximum and minimum working length:	1050 - 6100mm
Maximum and minimum working width:	50 - 247mm
Maximum and minimum working thickness:	12 - 100mm
Frequency controlled feed speed:	20-100m/min
Main motor power:	5kW
Accelerator feed rollers top:	2
Accelerator feed rollers bottom:	2
Driven feed rollers:	3
Feed roller dimensions:	180x100mm
Flat chain feeder motor power:	0.37kW
Flat chain feeder chains:	5

m