

QUOTATION

Sausage separating machine

INOTEC



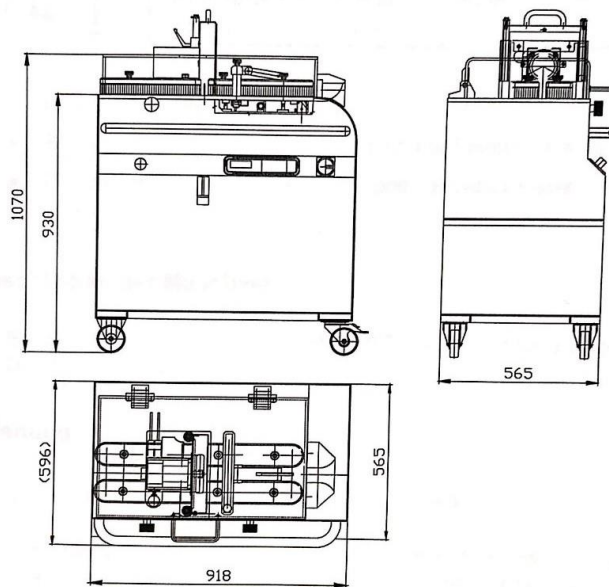
Type: WT 95 - D

Min. product length: 55mm

Caliber: 10-50 mm



Machine dimensions in mm:



Rated power: 2,7 kW

Voltage: 400 V, 50 Hz