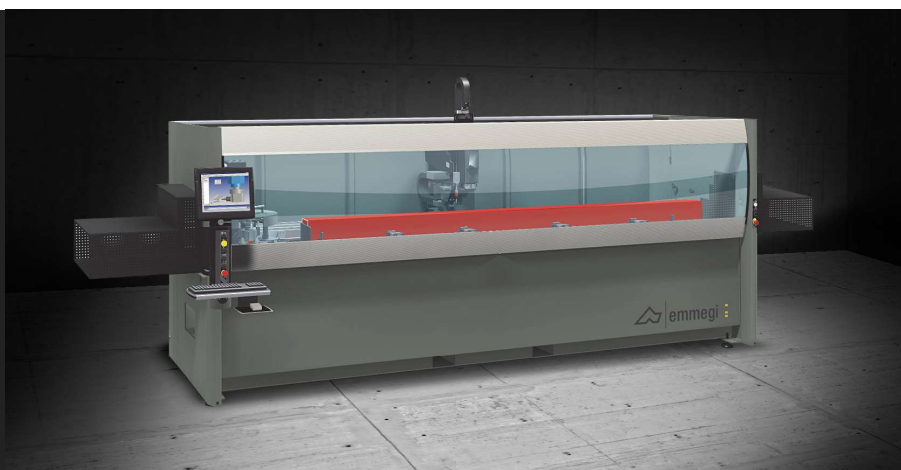




# *Phantomatic* **T3 A**

CNC machining centres



Machining centre CNC with 3 controlled axes, used for the working of bars or aluminium, PVC, light alloys in general and steel pieces up to 3 mm. It has a 4 tools storage, with the possibility of hosting 2 angular units and one milling disc, to perform machining on the 5 sides of the piece. All CNC axes are absolute and do not require resetting upon machine restart. It also has a mobile work surface that facilitates the piece loading/unloading operation and significantly increases the workable section.



### Heads lubrication

An adapter flange with quick couplings is provided on the electrospindle to accommodate the angle aggregate lubrication system, ensuring proper lubrication of the tools being machined.



### Operator interface

The new control version with suspended interface allows the operator to look at the monitor from any position, as it can be rotated around the vertical axis. The operator interface has a 15" touch screen display with all USB connections necessary to interface with a remote PC and NC. It has a push-button panel, mouse and keyboard. It is also set up for the connection of a barcode reader and remote push-button panel. It is equipped with a front USB socket for data transfer.



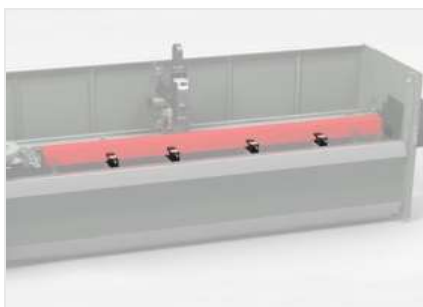
### Electrospindle - T -

The high-torque 5.5 kW electrospindle in S1, which is available on request with 7.5 kW power in S1, enables even heavy machining typical of the industrial sector.



### Tool magazine

The new toolholder magazine, which is circular in shape, makes it possible to reduce the footprint, to ensure the positioning of large extrusions on the machine and also to perform tool changes very quickly. The sheet metal protective cover offers optimum protection for the toolholder cones from swarf and accidental knocks. The magazine can contain up to 4 toolholders (8 upon request) with relevant tools, which can be set at the operator's discretion.



### Vices

The machine software can calculate the correct positioning measure for each vice unit, according to the length of the workpiece and to the type of machining to be performed. The automatic positioner allows picking all vice units and moving them by means of the gantry. This operation is performed at the highest speed and with great precision and spares longer time and collision risks, so that the machine can also be easily used by less experienced operators.



### High-performance industrial human-machine interface PC (Optional)

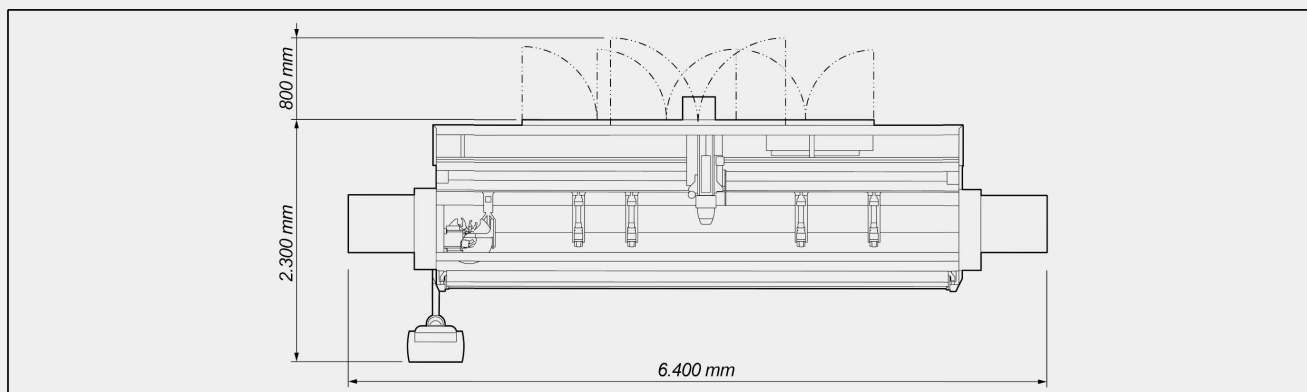
The high-performance industrial PC significantly improves the computing power of the operating system and the speed of the application software installed. This device allows to achieve a reduction in machine set-up time and manage the most complex cycles without slowdowns.





**PHANTOMATIC T3 A / CNC MACHINING CENTRES**

**LAYOUT**



The overall dimensions may vary depending on the product configuration.

**AXIS STROKES**

X AXIS (longitudinal) (mm)	4.300
Z AXIS (vertical) (mm)	300
Y AXIS (transversal) (mm)	270

**ELECTROSPINDLE**

Maximum power in S1 (kW)	5,5
--------------------------	-----

**AUTOMATIC TOOL MAGAZINE**

Maximum number of magazine tools	4 standard ; 8 optional
----------------------------------	-------------------------

**FUNCTIONS**

Multi-piece operation (only with two reference stops)	<input type="radio"/>
---	-----------------------

**WORKABLE SIDES**

With direct tool (upper side)	1
-------------------------------	---

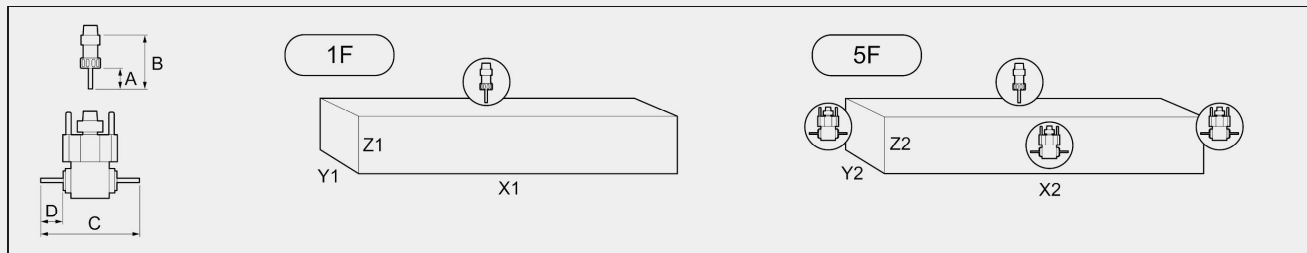
**WORK AREA**



**WORK AREA**

**1F = 1 face machining**

**5F = 5 faces machining**



	<b>A</b>	<b>B</b>	<b>C</b>	<b>D</b>	<b>X1</b>	<b>Y1</b>	<b>Z1</b>	<b>X2</b>	<b>Y2</b>	<b>Z2</b>
<b>PHANTOMATIC T3 A</b>	60	130	232	50	4.000	210	258	3.760	140	230

Dimensions in mm

**TAPPING CAPACITY (with Tap On Aluminium And Through Hole)**

With compensator M8

**PROFILE POSITIONING**

Workpiece reference LEFT stop with pneumatic movement ●

**WORKPIECE LOCKING**

Automatic vice positioning through X axis ●

Standard number of pneumatic vices 4

Maximum number of pneumatic vices 6

Included ● Available ○