

Three Dimensional
Coordinate
Measuring Machine

TESA MICRO-HITE 3D

UNIQUE FEATURES

- Quick and easy to handle
- Quick capture of results
- Flexibility in data processing
- Smart TESA-REFLEX software
- User-friendly, no need to be an expert

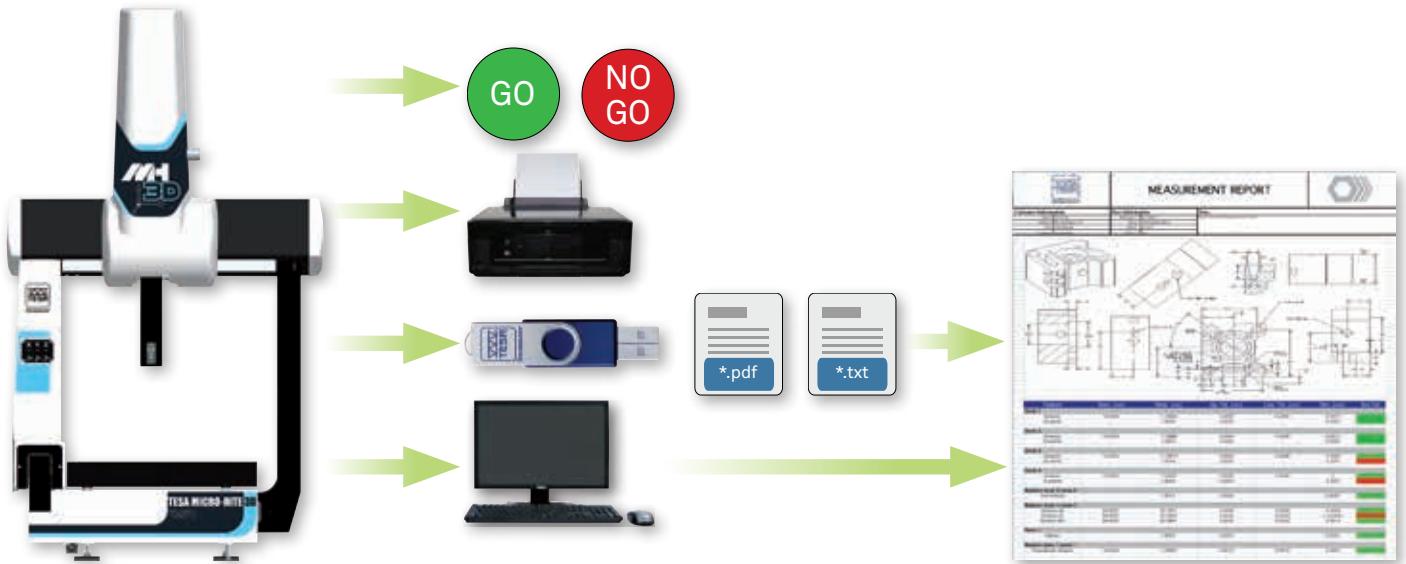


THE KEY INSTRUMENT THAT REPLACES CONVENTIONAL MEASURING TOOLS

The MICRO-HITE 3D is a three-dimensional Coordinate Measuring Machine, measuring all known geometric elements quickly and easily. Adapted to any user, easy to master, it is the ultimate instrument for the workshop.

Alongside its user friendliness, thanks to the TESA-REFLEX software, the machine is the logical solution to increase productivity effectively whilst minimizing the period of return on investment.

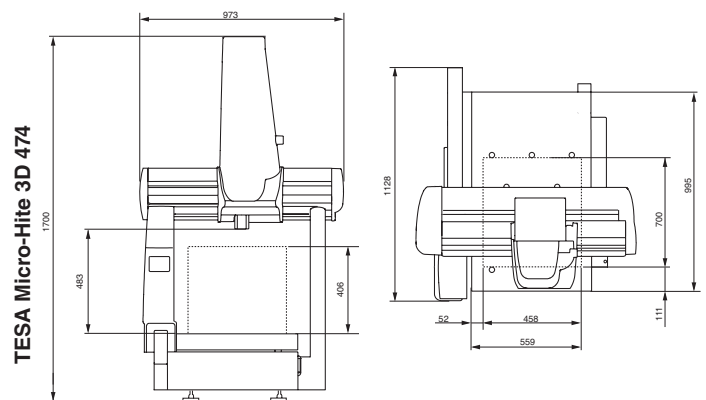
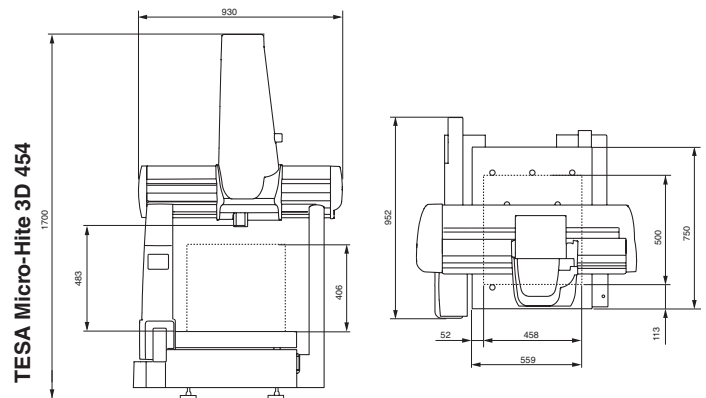
DATA PROCESSING



TECHNICAL SPECIFICATIONS

Model	454	474
Displacements	Manual	Manual
Fine adjustments	Optional	Optional
Measuring head	TESASTAR, TESASTAR-i or TESASTAR-i M8	
Measuring volume (X x Y x Z)	460 x 510 x 420 mm	460 x 710 x 420 mm
Software	TESA-REFLEX	TESA-REFLEX
Weight net	210 kg	315 kg
Weight gross	300 kg	445 kg
Maximum permissible load	227 kg	200 kg
MPE _E	3+4L/1000 µm (L in mm)	
MPE _p	3 µm	3 µm
Operating temperature	20°C ± 0,5°C	20°C ± 0,5°C
Humidity	<80%, without condensation	
Temperature variation / day	± 1° C	± 1° C

DIMENSIONS



DELIVERY OPTIONS*

Order number	Description	Fine adjustments	Measuring head
03939040	MH3D 454	-	TESASTAR
03939041	MH3D 454	-	TESASTAR-i
03939042	MH3D 454	●	TESASTAR
03939043	MH3D 454	●	TESASTAR-i
03939240	MH3D 474	-	TESASTAR
03939241	MH3D 474	-	TESASTAR-i
03939242	MH3D 474	●	TESASTAR
03939243	MH3D 474	●	TESASTAR-i

* The machine are also available with an indexable measuring head TESASTAR-i M8. For more information, please contact your local agent.

WWW.TESABS.CH

TESA SA Switzerland
Bugnon 38
CH-1020 Renens
Vente Suisse
Tél. +41 (0)21 633 16 00
Fax +41 (0)21 633 17 57
tesa-ventech@hexagonmetrology.com

TESA FRANCE SAS
2, rue Antoine Lavoisier
Pôle Lavoisier - bâtiment A
F-54300 MONCEL-lès-LUNEVILLE
Tél. +33 (0)3 83 76 83 76
Fax +33 (0)3 83 74 13 16
tesa-france@hexagonmetrology.com

TESA Technology
Deutschland GmbH
Netzstraße 32
D-71638 Ludwigsburg
Tel. +49 (0)7141 8747 0
Fax +49 (0)7141 8747 88
tesa-de@hexagonmetrology.com

TESA Technology UK Ltd.
Metrology House
Halesfield 13
GB-Telford, Shrops.TF7 4PL
Tel. +44 1952 681 349
Fax +44 1952 681 391
tesa-uk@hexagonmetrology.com

TESA Technology ITALIA s.r.l.
Via Bizzozzero, 118
IT-20032 Cormano (MI)
Tel. +39 02 663 053 69
Fax +39 02 663 090 82
tesa-italia@hexagonmetrology.com

TESA Technology Ibérica
Av. de Vizcaya s/n
Apart. 202
ES-48260 Ermua
Tel. +34 943 170 340
Fax +34 943 172 092
tesa-iberica@hexagonmetrology.com

TESA Benelux
Van Elderenlaan 1
NL-5581 WJ Waalre
Tel. +31 (0)40 222 06 08
Fax +31 (0)40 222 17 16
tesa-benelux@hexagonmetrology.com

TESA SA – Bugnon 38 – CH-1020 Renens – Switzerland – Tel. +41(0)21 633 16 00 – Fax +41(0)21 635 75 35 – www.tesabs.ch – tesa-info@hexagonmetrology.com