

Perkins Generator

Prime: 1200KW/1500KVA
Standby: 1320KW/1650KVA

Technical Data

Model		1650kva
Prime power	kva	1500
	kw	1200
Standby power	kva	1650
	kw	1320
Rated voltage line to line	V	400
Rated current	A	2160
Maximun sound level	dB@7m	75

Engine-Perkins

Model		4012-46TAG2A
Aspiration		4 stroke, Vee 60°C, Turbo charged,
Fuel system		Direct injection
No. cylinders		12
Displacement	L	45,842
Bore*Stroke	mm	160x190
Compression ratio		13.6:1
Rated speed	r/min	1500
Governor		Electric
Engine size	mm	2731x1723x2118
Engine wet weight	kg	4604
Fire order		1a-6b-5a-2b-3a-4b-6a-1b-2a-5b-4a-3b
Start Motor	V	24
Rotation		Anti-clockwise, viewed on the flyweel

Air inlet

clear filter	mm	127
dirty filter	mm	380

Fuel system

type of injection system		Combined unit injector
Fuel delivery pump pressure	kpa	300

Fuel System

110% load(Standby power)	L/h	288
100% load(Prime power)	L/h	259
75% load(Prime power)	L/h	196
50% load(Prime power)	L/h	143
Fuel capacity for silent genset	L	2000
Fuel capacity for open genset	L	2000

Lubrication System

Oil capacity	L	177
--------------	---	-----

Cooling System

Total coolant capacity	L	201
------------------------	---	-----

Standard Features

Engine(Perkins ENGINE)	●
Radiator 50°C max,fans are driven by belt	●
24V charge alternator	●
Alternator: single bearing alternator IP23	●
insulation class H/H	●
Standard auto control system	●
Main line circuit breaker / ACB	●
Base fuel tank	●
24V batteries, rac and cable	●
Exhaust system(Ripple flex exhaust pipe)	●
Exhaust siphon, flange, muffler	●
User manual	●
Battery charge	●
Water heater	●

Alternator

Model		LSA 50.2 L8
Alternator Brand		Leroy Somer
Phase		3
Voltage	V	400
Wiring Type		6 wires
Bearing		1
Power factor		0,8
Frequency	Hz	50

Prime power	KVA	1500
Exciter Type		Brushless, self-excitation
Voltage regulation	%	±0.5
Protection Grade		IP 23
Insulation grade		H

Controller-Deepsea

Model DSE 8610

7 configurable digital inputs&Synchro use

Built-in governor and AVR control

Base load (kW export) functionality

Mains (utility) de-coupling protection

Generator power (kW, kVA) monitoring

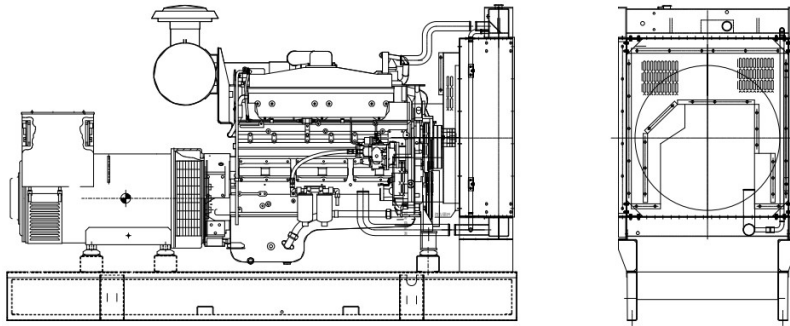
Overload (kW & kV Ar) protection

Emergency stop

Start failure

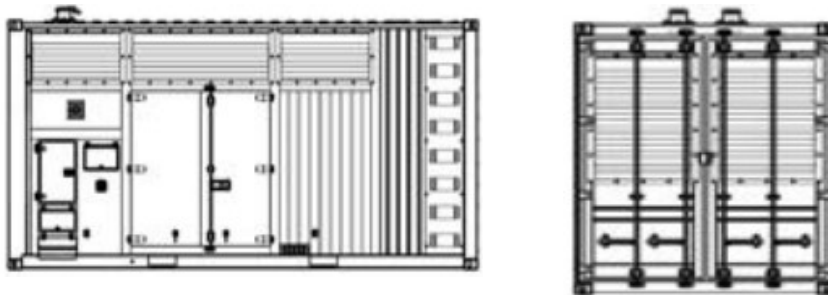


Unit Dimensions(Basic unit)



Open Type

L*W*H	mm	4900*2182*2530
Weight	kg	9780



Silent Type

L*W*H	mm	12192x2338x2898
Weight	kg	16780

Warranty

Perkins Engine

12 months from date of purchase or 1000 hours.

Generator

12 months from date of purchase or 1000 hours

(whichever comes first).