

# Perkins Generator

**Prime: 240KW/300KVA**  
**Standby: 264KW/330KVA**

## Technical Data

Model		330kva
Prime power	kva	300
	kw	240
Standby power	kva	330
	kw	264
Rated voltage line to line	V	400
Rated current	A	433
Maximun sound level	dB@7m	75

## Engine-Perkins

Model		1706A-E93TAG1
Aspiration		Four-stroke, water-cooled, In line, Turbo charged aftercooled
Fuel system		Direct injection
No. cylinders		6
Displacement	L	9,29
Bore*Stroke	mm	115x149
Compression ratio		16.5:1
Rated speed	r/min	1500
Governor		ECM
Engine size	mm	2083x1091x1366
Engine wet weight	kg	1183
Fire order		1-5-3-6-2-4
Start Motor	V	24
Rotation		Anti-clockwise, viewed on the flyweel

## Air inlet

Air inlet	mounted air filter
-----------	--------------------

## Fuel system

electric governor	rotary type fuel pump
fuel filter	Ecoplus fuel filter

## Fuel System

110% load(Standby power)	L/h	68,8
100% load(Prime power)	L/h	62,9
75% load(Prime power)	L/h	48,1
50% load(Prime power)	L/h	33,9
Fuel capacity for silent genset	L	385
Fuel capacity for open genset	L	350

## Lubrication System

Oil capacity	L	30
--------------	---	----

## Cooling System

Total coolant capacity	L	33
------------------------	---	----

## Standard Features

Engine(Perkins ENGINE)	●
Radiator 50°C max,fans are driven by belt	●
12V charge alternator	●
Alternator: single bearing alternator IP23	●
insulation class H/H	●
Standard auto control system	●
Main line circuit breaker / ACB	●
Base fuel tank	●
24V batteries, rac and cable	●
Exhaust system(Ripple flex exhaust pipe)	●
Exhaust siphon, flange, muffler	●
User manual	●
Battery charge	●

## Options

Water heater	<input type="radio"/>
Alternator heater	<input type="radio"/>
One set of air filter, fuel filter, oil filter	<input type="radio"/>
PMG	<input type="radio"/>
Water oil separator	<input type="radio"/>
Daily fuel tank	<input type="radio"/>
Remote control panel	<input type="radio"/>
Automatic transfer switch/ATS	<input type="radio"/>
Switch box	<input type="radio"/>

Standard: ●

Options: ○

## Alternator

Model		TAL-A46-F
Alternator Brand		Leroy Somer
Phase		3
Voltage	V	230/400
Wiring Type		12 wires
Bearing		1
Power factor		0,8
Frequency	Hz	50
Prime power	KVA	300
Exciter Type		Brushless, self-excitation
Voltage regulation	%	±0.5
Protection Grade		IP 23
Insulation grade		H

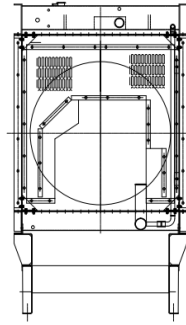
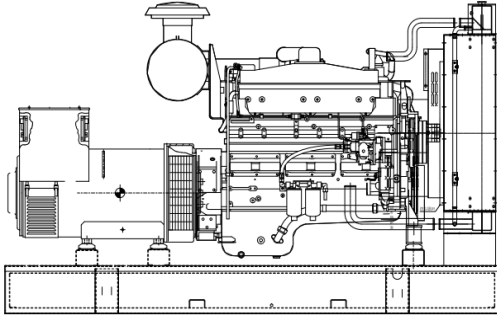
## Controller-Deepsea

Model DSE 7320

- 7 configurable digital inputs
- Built-in governor and AVR control
- Base load (kW export) functionality
- Mains (utility) de-coupling protection
- Generator power (kW, kVA) monitoring
- Overload (kW & kV Ar) protection
- Emergency stop
- Start failure

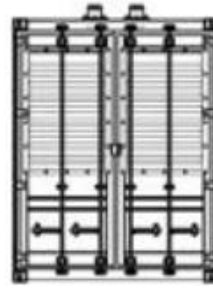
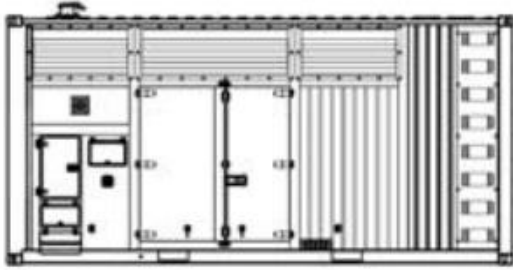


## Unit Dimensions(Basic unit)



### Open Type

L*W*H	mm	3200*1200*1700
Weight	kg	2550



### Silent Type

L*W*H	mm	3850*1350*1970
Weight	kg	3050

## Warranty

### Perkins Engine

12 months from date of purchase or 1000 hours.

### Generator

12 months from date of purchase or 1000 hours

(whichever comes first).