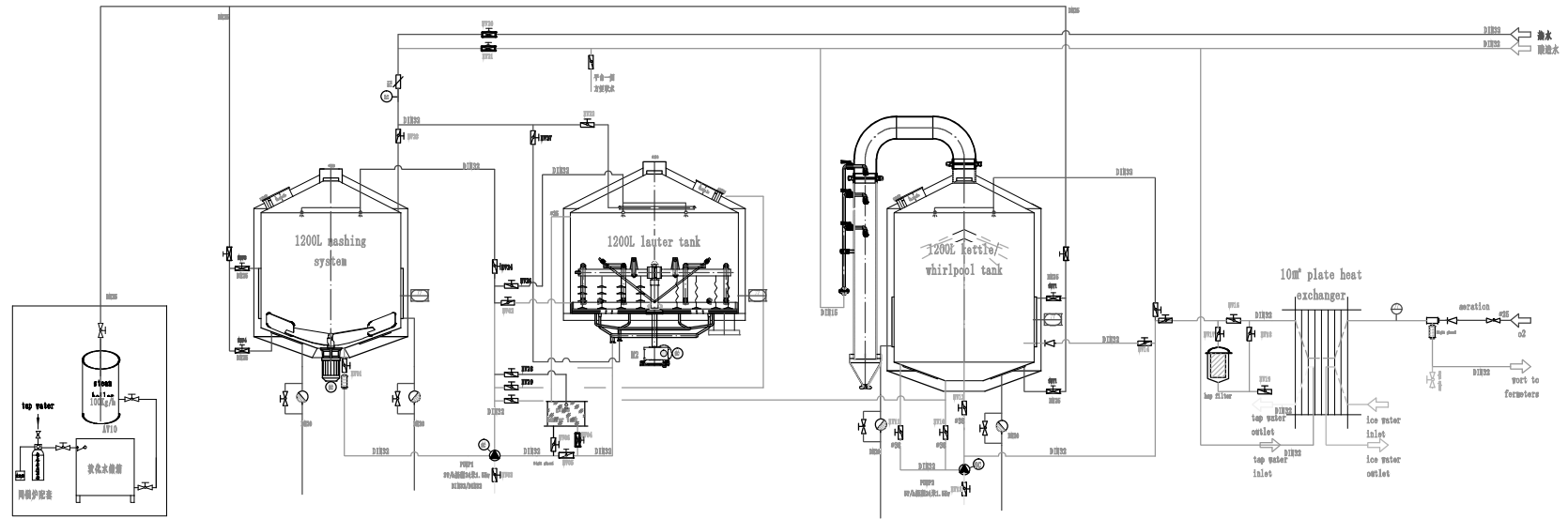


# 1200L brewhouse flow chart



## 图例

温度显示 temperature indicator

蒸汽 STEAM

麦汁 WORT

热水 HOT WATER

自来水 CITY WATER

冷媒 GLYCOL

信号线 SIGNAL

冷水 COLD WATER

CIP

温度显示 temperature indicator

温度变送器 temperature transmitter

流量传感器 flow sensor

液位计 level gauge

VFD

视镜 sight glass

三通阀 three-way valve

减压阀 pressure-reducing valve

电磁阀 solenoid valve

流量计 flow meter

压力表 pressure gauge

调节阀 regulation valve

	manual butterfly valve		温度显示 temperature indicator
	pneumatic butterfly valve		温度变送器 temperature transmitter
	manual ball valve		流量传感器 flow sensor
	pneumatic valve		液位计 level gauge
	Manual steam stop valve		VFD
	trap		视镜 sight glass
	filter		三通阀 three-way valve
	pump		减压阀 pressure-reducing valve
	sample valve		电磁阀 solenoid valve
	Diaphragm valve		流量计 flow meter
	check valve		压力表 pressure gauge
	solenoid valve		调节阀 regulation valve

<b>汇冠机械</b> 山东汇冠机械设备有限公司 HG Machinery Shandong HG Machinery Co., Ltd		电话 (TEL): +86-531-88825980 传真 (Fax): +86-531-88825980 邮箱 (EMAIL): admin@cnhem.cn 网址 (WEB): www.brewhermann.com	
职务 DUTY 设计 DESIGNED 校核 CHECKED 审核 APPROVED	签名 SIGNATURE 日期 DATE	1200L flow chart 共 页 IN TOTAL 第 页 THE TH	材料名称 MATERIAL 重量/kg 比例 SCALE 1:30