



CRONOSS TECH

ABSOLUTELY QUALITY

**SHEET METAL WORKING
MACHINES
MACHINE TOOLS**

www.cronosstech.com

Foreign Trade Company

CronosTech Machinery Foreign Trade Co. LTD.

It was established in 2007 with the aim of offering the highest quality products in the field of sheet metal processing & machine tools and consumables to consumers at the most affordable prices. Since the moment we were established, our company located in Istanbul has always prioritized customer satisfaction in order to respond to the demands of our business partners operating in many areas, especially in sectors such as hospital equipment, furniture sector, agricultural machinery, park and garden equipment, educational tools and equipment sector, yacht-ship sector, construction sector, heating and cooling. We continue to show this approach meticulously with our sales and after-sales services.

Our customer service is always ready to listen to you and produce solutions so that our customers' needs are met in the most problem-free and fastest way with the services and products we offer through our website www.cronosstech.com and that cancellation, return and exchange requests can be processed quickly when necessary.

Machines We Manufacture Our Own; - İZTES - Band Saw Machines

- FORBA Eccentric Press Machines
- FORBA Roll Openers and Drivers

Main Dealership Machines;

- DENER – Press Brakes, Guillotine Shears, Servo Press Brakes, CNC Surface Grinding, CNC Lathes, CNC Vertical Machining Centers and Fiber Laser Cutting Machines.
- ŞAHİNLER – Cylinder Sheet Metal Bending Machines, Profile Bending Machines, Combined Shears, Pipe Bending Machines
- İSİTAN – Cylinder Sheet Metal Bending Machines, CNC Pipe Bending Machines, NC and CNC Press Brakes, Circular Sawing Machines
- KESMAK – Band Sawing Machines, High Speed Band Sawing Machines, Fast Cutting Circular Sawing Machines
- İLERİ TEKNİK – Manual, Vice Automatic, Semi-Automatic and Fully Automatic Circular Sawing Machines
- ELMALI – Hydraulic Press Machines
- EBERLE – Bi-Metal Band Saw Blades
- GELİŞİM MAKİNA – Fast Cutting Circular Sawing Machines

Please contact us for more.

Hydraulic Press Brake Machine



Dener XL CNC Press Brakes are born with the aim of being flexible, reliable, and advanced bending machines; During their production, our company uses the strictest manufacturing technologies to achieve the highest quality. Based on a proven design, Dener has increased the working speed, the capacity in the strokes and the daylight and the folding accuracy of the XL machines.

DENER XL is a synchronized hydraulic press brake with a 3D graphical CNC controller and offers easy machine operation and setup, simple and fast 3D of numerical parts programming, and auto calculation of the bend sequence. The 3D and DXF programming features with ESA S 660 W controller provides more possibilities to end users to increase their production. These functions make Dener XL CNC Hydraulic Press Brakes very popular in the metal forming industries.

<https://youtu.be/SEuNYGo-7tU>

Standard Equipment

- Y1, Y2, X, R Axis.
- European type punch holder.
 - European type die holder.
- 21" Esa 675 W control unit.
 - Manual crowning.
- Deeper throat depth (450 mm).
- Higher stroke and longer daylight (350 mm).
 - Hoerbiger or Rexroth hydraulic system.
- Foot pedal with emergency stop button.
 - Linear guided front support arms.
 - Side and back safety gates.

Optional Equipment

- Delem 66T CNC control unit.
- Delem 69T 3D CNC control unit.
- Cybelec ModEva 15T 3D CNC control unit.
 - X R Z1 Z2 type backgauge.
 - X1 X2 R Z1 Z2 type backgauge.
- ATF Type X1 X2 R1 R2 Z1 Z2 type backgauge.
- Bar Type X1 X2 R1 R2 Z1 Z2 type backgauge.
 - Front sheet followers.
 - Light curtain with CE norm.
 - Hydraulic oil cooling system.
- Electrical cabinet cooling system.
 - CNC crowning.
 - Quick tool change system.
 - Pneumatic tool holding system.
- Wila mechanic tool holding system.
- Wila hydraulic tool holding system.

Servo Electric Press Brake Machine



Dener CNC Servo Electric Press Brakes are no-hydarulic, flexible, reliable and advance bending machines. A next generation machine idea that combines green-eco firendly machines productivity, accuracy, flexibility and reliability. The new concept offers low energy consumption, less maintenance, without hydarulic oil for operation.

Dener Electric Press Brakes come with an advance CNC controller, fast and accurate puncher and die clamping and a multi axis back gauge system. Making sheet metal bendings at lowest possible cost is very easy.

MODEL	BENDING CAPACITY (t)	BENDING LENGHT (mm)
DDM-4015	40	1530
DDM-5020	50	2040
DDM-6525	65	2550
DDM-8025	80	2550
DDM-10030	100	3050
DDM-13030	130	3050
DDM-15030	150	3050
DDM-17535	175	3570
DDM-20040	200	4080

**Pays
you
back.**

Standard Equipment

- European type sectioned punch holder.
- European type sectioned die holder.
 - Esa 660 W 17" 3D control unit.
 - 4 Axis – Y1, Y2, X, R.
 - Side and back safety gates.
- Foot pedal with emergency stop button.
- 380 V, 50-60 HZ, 3Ph electrical system.
 - Electrical cabinet cooling system.

Optional Equipment

- Delem DA 66T control unit.
- Delem DA 69T 3D control unit.
- ATF Tipi X1 X2 R1 R2 Z1 Z2 backguage.
 - X1 X2 R Z1 Z2 backguage.
 - X Prime backguage.
- Fiessler Akas 2 M(P) protection system.
- CE norm DSP laser front protection system.
 - Manual or CNC crowning.
 - CE norm Light curtain.
 - Front sheet followers.
- Pneumatic tool holding system.
- Wila mechanic tool holding system.
- Wila hydraulic tool holding system.

CNC Shearing Machine



Dener CNC shears provide robust mechanics, precise hydraulic ball screw gauge and easy to use CNC controller on high productivity cutting machines. Dener shears have a metal cutting thickness capacity from 6 mm to 20 mm, cutting length capacity from 3 m to 6 m as standard and according to a special demand, customized machines are available.

Dener shears are made of solid welded steel, built for long operation time. The design of the frame, the cutting beam and the rear gauge ensure maximum rigidity and resistance to torsion and deformation. Due to its powerful design, customers can obtain the highest quality of cut.

With an easy-to-use CNC controller, the operator enters the thickness and type of material and the controller automatically adjusts the cutting angle and blade clearance.

https://www.youtube.com/watch?v=vw_tD-6LXJw

Standard Equipment

- ESA S 530 CNC control unit.
- Automatic hydraulic blade gap adjustment.
 - Hydraulic hold down pads.
- Front table with rotating balls.
 - Front feed arm with T-slot.
 - Motorized backgauge system.
- Foot pedal with emergency stop button.
 - Front protection frame.
 - Curtain light guards.
 - Shadow line.

Optional Equipment

- CE norms Safety system.
- Manual centralized lubrication system.
 - Oil cooling system.
- Pneumatic thin sheet support system.
 - Laser cutting line.

Better Quality and Faster Cuts with Perfect Equipments



Fiber Laser Cutting Machine



Available laser power options 1KW – 2KW – 3KW – 4KW – 5KW – 6KW – 8KW. Legend 3015-S is a unique machine with a very low energy consumption and a very fast cutting capacity, in addition to a minimum maintenance cost. The Lazer Legend 3015-S machine has high productivity and superior quality standards. The chip collection covers open and close according to the position of the cutting head. At the same time, it ensures that there will be no exhaust fumes or smoke in the work environment. The toggle table system is designed to increase workflow, facilitate material placement, and reduce part discharge time.

The angle of the plate and its corner are automatically found by using the plate 3-point detection method. Fiber lasers are inherently made for maintenance-free production. The importance lies in the life of the diode which lasts approximately 100,000 hours.

<https://youtu.be/HFJM3sSOKck>

Standard Equipments

- IPG resonator.
- 19" LCD touch screen.
 - Metalix software.
- Precitec cutting head.
 - Shuttle table.
- Laser cooling system.
- Automatic gas selection system.
 - Smoke suction filter.
- Air conditioner for automation panel.
- Slag car for the collection of cutting leftovers.
- Automatic sheet measurement vision system (Camera-based).

Optional Equipments

- Automatic beam centering system.
- Linear motor technology.
 - Laser safety barrier.
 - Piercing sensor.
- Automatic sheet metal loading and unloading system.
 - Compressor.

Fast and Smooth Cuttings with Perfect Equipments



Hydraulic Plate Bending Machine



Standard Features

- Very suitable for light and medium plates, aluminum or stainless steel
 - Ferrules in full circle or varying radiuses can be done easily
- Pinch Roll and Lateral Rolls move with pyramid linear direct movement by hydraulic pistons.
 - Overload Protection
- Top roll is powered by electrical and planetary gearbox. Bottom roll powered with cardan joint system.
 - Three digital readouts for easy roll positioning
 - Hydraulic DropEnd for easy removal of finished ferrule
 - Easy operation with Mobile Control Panel
 - Welded Steel frames
 - Induction hardened forged or rolled SAE 1050 (CK 45) Steel Rolls
 - Conical Bending device

- Hydraulic balancing system
- Built according to EC Safety Directives and has CE Mark
 - User's manual

Optional Features

- Remote assistance over the NC controller
- Overhead Crane for large diameters
- Hydraulic Lateral Side Supports for large diameters
 - Ground and polished rolls
 - Double speed system
 - Infinitely Variable Speed
 - Hydromotor for rotation
 - Ejector system



Hydraulic Profile Bending Machine

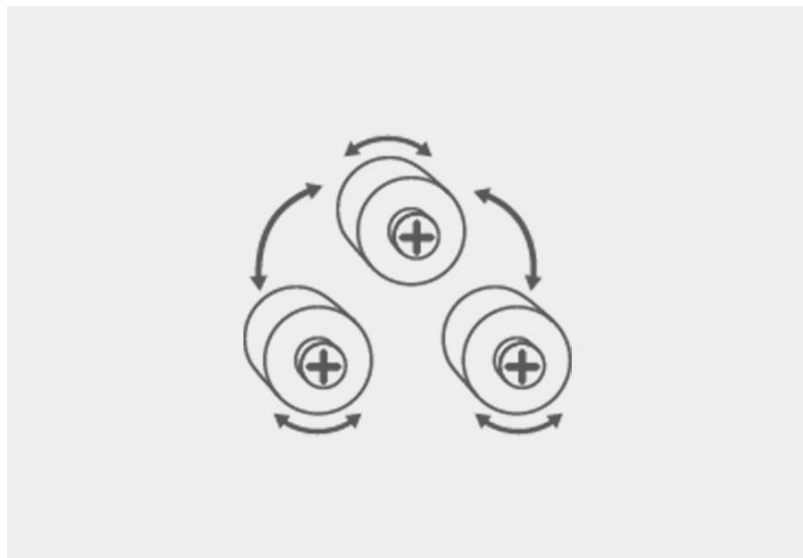


Standard Accessories

- Steel construction welded frame
 - 3 Rolls are powered
- Hardened and ground shafts made of high tensile special steel
 - Rolls are hardened and ground
 - Horizontal and vertical working position
 - Hardened standard rolls
 - Mobile control panel
- 3 Axis mechanical lateral angle guide rolls
- Brake motor equipped for the precision bending
 - Digital Read-Outs (2pcs)

Optional Equipments

- Pipe, tube and profile bending rolls
- Hydraulic lateral guide rolls (2 axis)
- Automation with NC control



<https://www.youtube.com/watch?v=gWWgdYnfAcw>

Hydraulic Steelworker



Standard Accessories

- 1 2 separate hydraulic pistons and 2 separate foot controls that two people can work with at the same time
 - 2 Faster work opportunity with adjustable piston stroke distance
 - 3 Central lubrication system
 - 4 Electric switched back support
 - 5 Work lamp
- 6 5 separate work stations on the same body:
 - 6.1 – Ø26 mm punch and matrix and standard hole drilling apparatus
 - 6.2 – Solid round and solid square material cutting blade set
 - 6.3 – Angle cutting blade set
 - 6.4 – Flat and sheet metal cutting blade set
 - 6.5 – U-notch opening blade set

CNC CONTROLLED MANDREL PIPE BENDERS



Standard Accessories

- 1 Set Die (requested size)
- Servo Motorized Feeding Axis
- Servo Motorized Rotation Axis
- Detailed Working Report is Mailed Automatically
- Servo Motorized Bending Axis (SFB 38-CNC/R1)
- Electric Motor Driven with Reducer Bending System (51-65-76-90)
 - Mobile CNC Control Unit with 21" TFT Touchscreen
 - 3D Simulation Bending
- Daily, Weekly and Monthly Total Working Status Reports
 - Calculating Working Material Length
 - Calculating estimated bending time
 - Converting X-Y-Z to Y-B-C
 - Remote assistance

- Mobile Foot Pedal with Emergency Stop Button
 - Manuel and Automatic working
- With Mandrel – Without Mandrel Bending
 - Safety Plate on back of bending head
- Automatic Mandrel Lubrication System (SFB 38 CNC/R1)
 - Hydraulic Clamping
 - Hydraulic Mandrel
 - Hydraulic Support
 - Hydraulic Oil Cooler
 - Hydraulic Linear Slider System
 - Hydraulic Claw Collet
- Electrical Panel Safety Lock and Panel Lock with Key
 - Electric System Cooler
 - Overload Protection

Optional Equipments

- Extra Die Sets
- Servo Bending (51-65-76-90)
- Safety Mat (750 x 1000mm)
- Safety Mat (1000 x 1500mm)
 - Hydraulic Oil Heater
- Extra Mandrel Length (for each mt.)
- Flexiable Mandrel and Wiper
- Automatic Mandrel Lubrication System (51-65-76-90)

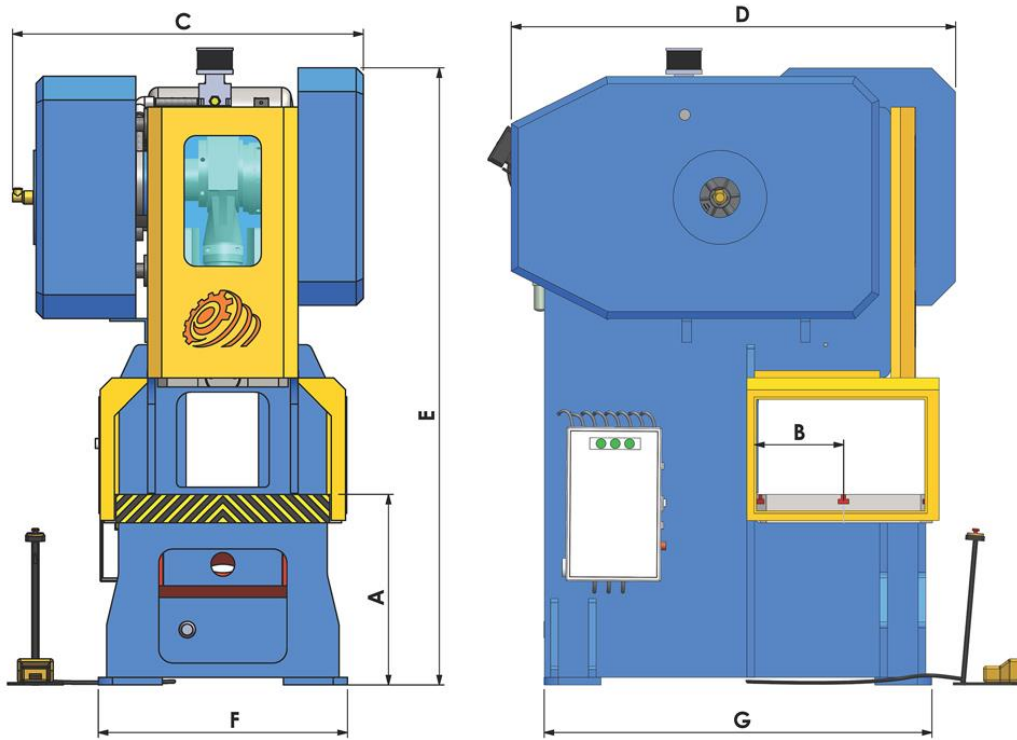
TR	EN		SFB 38-CNC / R1	SFB 51-CNC / R1	SFB 65-CNC / R1	SFB 76-CNC / R1	SFB 90-CNC / R1
Max. Kapasite	Max. Capacity	Ømm	Ø38x3mm	Ø51x3mm	Ø65x3mm	Ø76x4mm	Ø90x4mm
Max. Büküm Radyusu	Max. Bending Radius	mm	250	250	250	250	250
Max. Büküm Derecesi	Max. Bending Angle	°	190	190	190	190	190
Hidrolik Basınç	Hydraulic Pressure	bar	50-220	50-220	50-220	50-220	50-220
Çalışma Uzunluğu	Working Lenght	mm	3000	3000	3000	4000	4000
Döndürme Toleransı	Rotation Tolerances	±	±0,1	±0,1	±0,1	±0,1	±0,1
Büküm Hızı	Bending Speed		Değiştirilebilir. Changeable	Değiştirilebilir. Changeable	Değiştirilebilir. Changeable	Değiştirilebilir. Changeable	Değiştirilebilir. Changeable
Motor Gücü	Motor Power	kw	7,5	13,5	15,5	23,5	27,5
Uzunluk	Lenght	mm	4280	4950	4950	5800	5800
Genişlik	Widht	mm	1000	1200	1250	1550	1550
Yükseklik	Height	mm	1500	1600	1600	1750	1750

C TYPE AIR CLUTCHED ECCENTRIC PRESS

EMC 50-125 SERİSİ



- Crankshaft Made of 4140 Tempered Steel
 - Housings Made of Special Bronze
- Connection Rod Made of Ductile Iron Casting
 - Clutch Made of Ductile Iron Casting
 - Gear Made of Single-Piece Steel Casting
 - Electronic Sheet
 - URB Wide Gear Bearing
- Nodular Cast Iron Gearing Housings
 - 1050 Steel Gearing Shaft
- Special Flywheel and Gear Casings
- Pnömatik Hand and Leg Pedal System



TECHNICAL SPECIFICATIONS

MODEL / EMC		EMC-30	EMC-40	EMC-50	EMC-60	EMC-80	EMC-100	EMC-125	EMC-150	EMC-200	EMC-250	EMC-300
Nominal Pressure	kN	300	400	500	600	800	1000	1250	1500	2000	2500	3000
Stroke Adjustment	mm	10-70	10-80	10-90	10-100	10-110	20-120	20-140	20-160 Oto-Strok	20-180 Oto-Strok	20-190 Oto-Strok	20-200 Oto-Strok
Stroke Per Minute	d/dk-rpm	120	110	60	55	50	50	45	45	45	45	45
Slide Adjustment	mm	50	50	60	60	70	70	80	80	90	100	100
Table - Ram Distance	mm	280	325	350	400	425	450	475	550	600	650	650
Main Table Dimensions	mm x mm	400x620	440x700	490x750	590x800	660x860	700x900	750x1000	800x1070	800x1100	900x1200	1000x1350
Hole Of The Main Table	mm	Ø 100	Ø 140	Ø 140	Ø 140	Ø 180	Ø 200	Ø 220	Ø 220	Ø 220	Ø 250	Ø 300
Carriage Table Dimensions	mm x mm	340x250	260x400	260x400	275x450	300x480	325x530	350x550	400x600	425x650	450x780	500x860
Hole Of The Carriage Table	mm	Ø 35	Ø 35	Ø 40	Ø 40	Ø 40	Ø 50	Ø 55	Ø 55	Ø 60	Ø 60	Ø 70
Motor Power	KW	2.2 kw	4 kw	4 kw	5.5 kw	5.5 kw	7.5 kw	7.5 kw	11 kw	15 kw	18.5 kw	22 kw
Motor Speed	dev/dk	900	900	1400	1400	1400	1400	1400	1400	1400	1400	1400
Approximate Weight	kg	2.200	2.500	2.800	3.100	3.700	5.000	6.000	7.800	9.100	12.000	15.000

MACHINE DIMENSIONS

MODEL / EMC		EMC-30	EMC-40	EMC-50	EMC-60	EMC-80	EMC-100	EMC-125	EMC-150	EMC-200	EMC-250	EMC-300
=A=	mm	755	745	745	780	790	800	800	800	800	870	900
=B=	mm	190	205	225	280	315	335	360	385	385	430	480
=C=	mm	900	1020	1100	1300	1350	1450	1450	1550	1700	1750	1950
=D=	mm	1000	1130	1250	1550	1600	1770	1900	2050	2150	2250	2550
=E=	mm	2000	2260	2200	2300	2350	2500	2600	2850	3000	3200	3380

H TYPE AIR CLUTCHED ECCENTRIC PRESS



- Steel construction body internally and externally reinforced
 - Eight surface glazing system
 - Slide CK 45 steel material
 - Crankshaft 4140 Recycled material
 - Connecting rod steel casting
- Special aluminum bronze to apple screw ball cart
 - Reducer ram setting mechanism
 - Steel ball bearings
 - Sliding bearings on the plate
 - Table balance and weight cylinders
 - Centering channel on the plate
- Rare receiver special joints
- Hydraulic fuse with automatic detonation
- Recycled automatic lubrication system
- Temperature sensors on all working surfaces
- Double direction pressure relief valve
- Pneumatic clutch and brake combination
- Phosphate safety curtains
- Exterior cladding special enclosures

- Centering channel under the table
- Gear and gearbox steel unit
- Angulation shaft 1050 without material
- Apple screw 4140 without material
- Custom red gear reducer gear adjustment

Automation Part

- Plc control electric panel
 - Mitsubishi brand plc
- Intelligent panel system in case of possible failure
 - Mitsubishi brand control panel and inverter
 - Air pressure transmitter
 - Electronic release oil float
 - Mold memory and mold protection system
 - Contemporary design and business security
- Completely complies with CE directives and labor security legislation.

TECHNICAL SPECIFICATIONS					
MODEL / EMH		EMH300	EMH400	EMH500	EMH600
Nominal Pressure	kN	1000	1250	1500	2000
Main Table Height (A)	mm	1000	1100	1200	1200
Table - Ram Distance (B)	mm	800	900	1000	1100
Main Table Dimensions	mm x mm	2500X1200	2800X1400	3000X1500	3200X1600
Side Window Width (C)	mm x mm	800	900	1000	1100
Side Window Width (D)	mm	2350	2650	2830	3020
Connecting Rod	Adet	2	2	2	2
Fixed Stroke	mm	200	250	300	350
Stroke Per Minute	d/dk-rpm	20-40	20-35	20-30	15-25
Slide Adjustment	mm	100	100	100	100
Motor Power	KW	30 kw	37 kw	45 kw	55 kw
Motor Speed	dev/dk	1450	1450	1450	1450
Approximate Weight	kg	40000	56000	75000	90000

BAND SAW MACHINES



- WIDE PRODUCT RANGE FROM Ø170MM TO Ø3000MM
- MANUAL, SEMI-AUTOMATIC, FULLY-AUTOMATIC AND SERVO-DRIVE MODELS
- CABIN CNC CONTROLLED HIGH-SPEED MODELS
- STRAIGHT AND ANGLED CUTTING MODELS
- SPECIAL PROJECT SOLUTIONS



CIRCULAR SAW MACHINES



- Ø80MM - Ø100MM - Ø160MM MODELS
- CNC CONTROLLED - FAST CUTTING
- LONG-LASTING SAW SAVINGS
- AUTOMATIC MATERIAL LOADING TABLE
- WASTE (END) SEPARATION SYSTEM

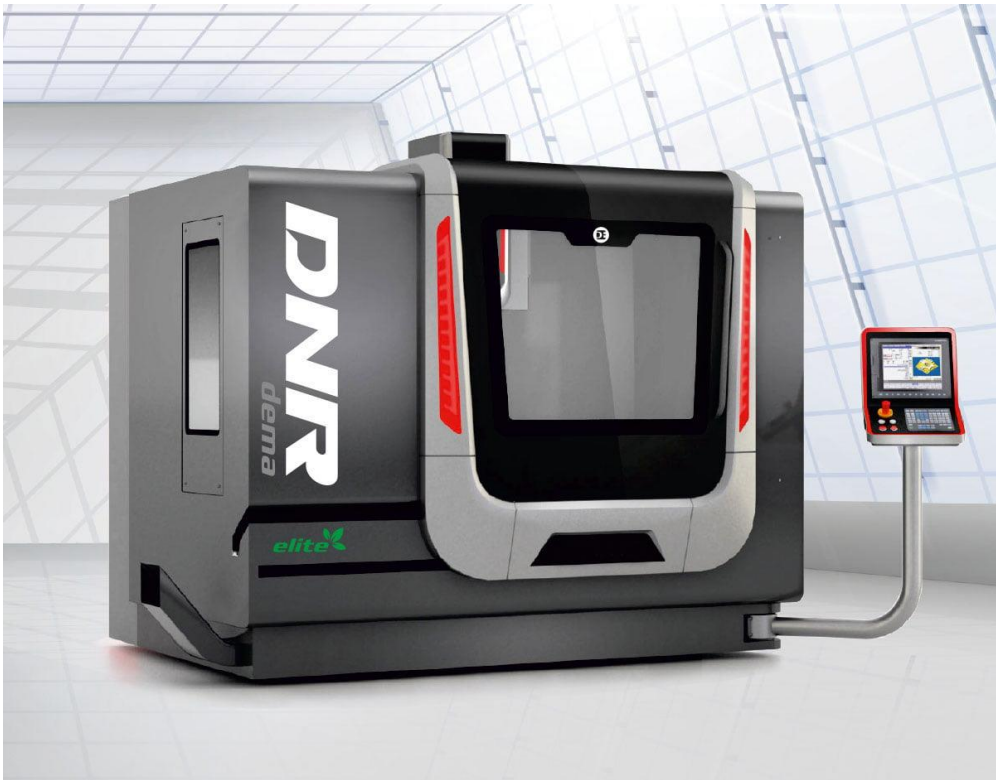


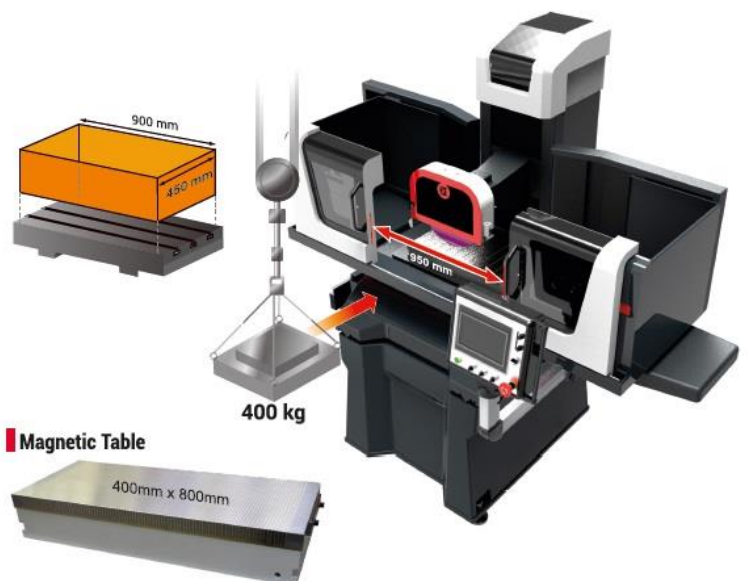
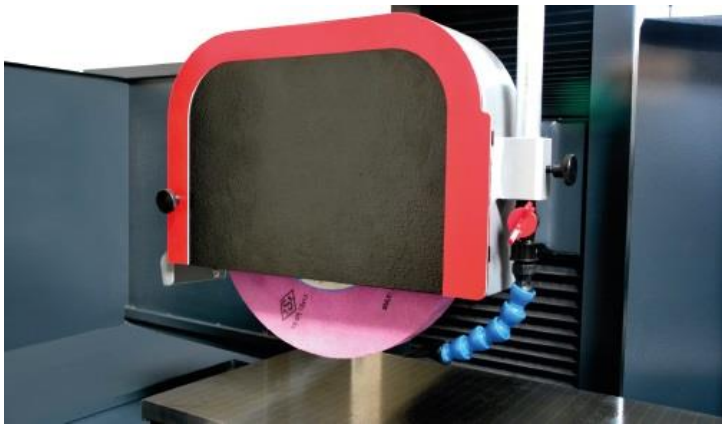


- MANUAL MACHINES
- VICE AUTOMATIC MACHINES
- SEMI-AUTOMATIC MACHINES
- FULL-AUTOMATIC MACHINES
- SPECIAL PROJECT MACHINES

CNC MACHINES

(LATHE - VERTICAL MACHINING - SURFACE GRINDING)





FOR MORE;

www.cronosstech.com

export@cronosstech.com

İ.O.S.B. DERSANKOOP SAN. SİT. S6 B BLOK NO:113
BAŞAKŞEHİR / İSTANBUL / TÜRKİYE