



Standard Specifications

BA006N-A

1st ed. 16-Jan-15
5th ed. 18-Jan-21

Kawasaki Heavy Industries, Ltd.
Robot Business Division

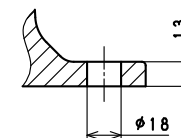
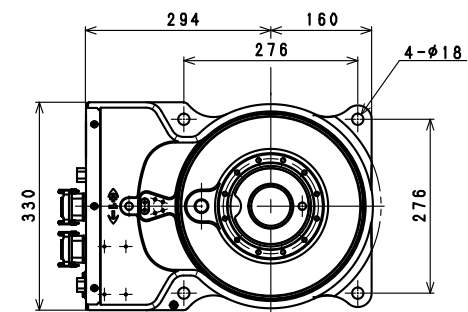
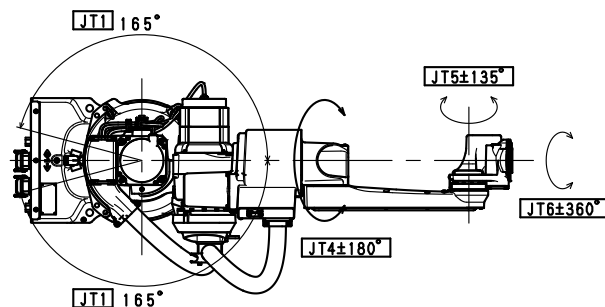
Specification number : 90151-0040DEE

Materials and specifications are subject to change without notice.

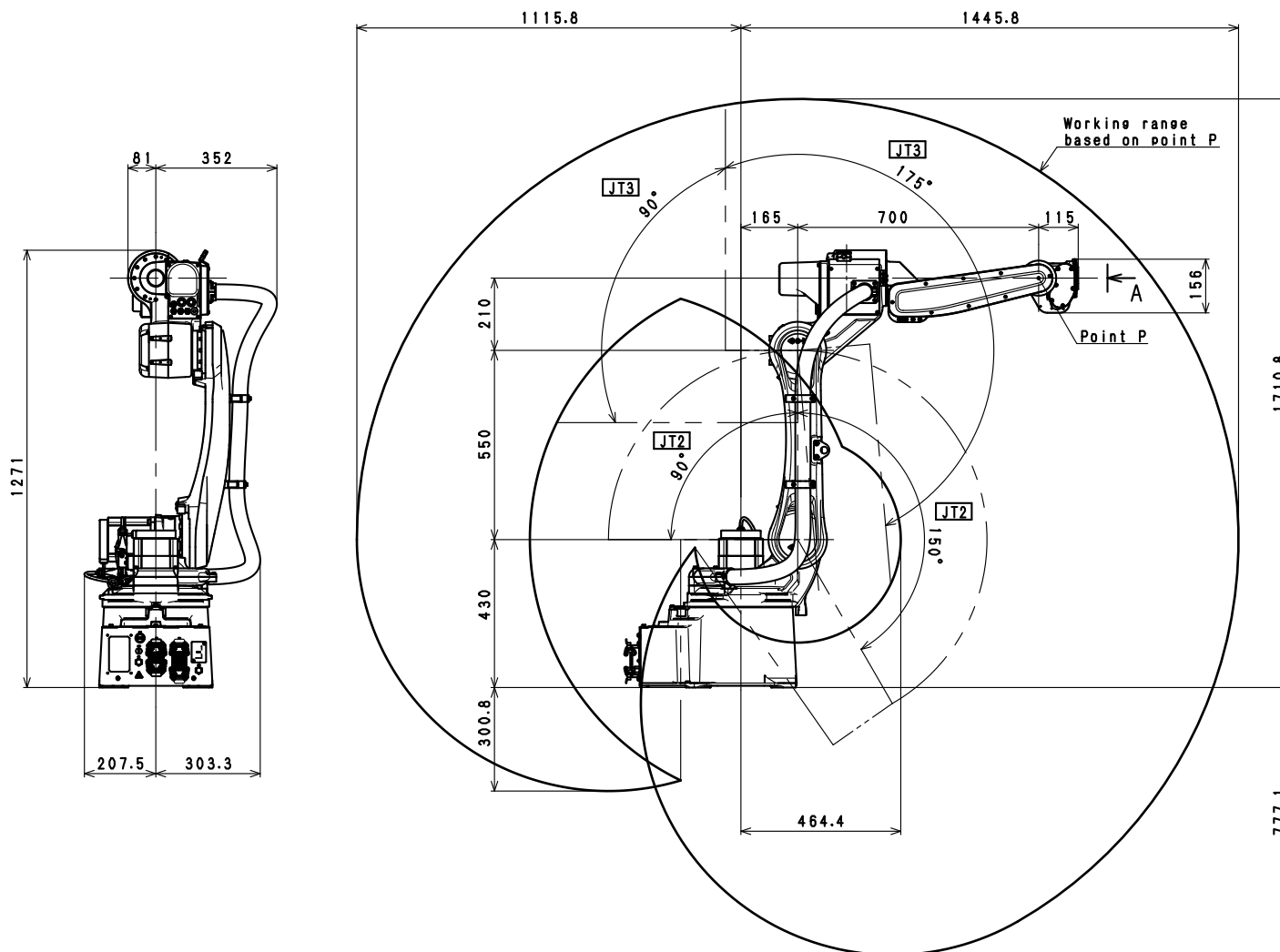
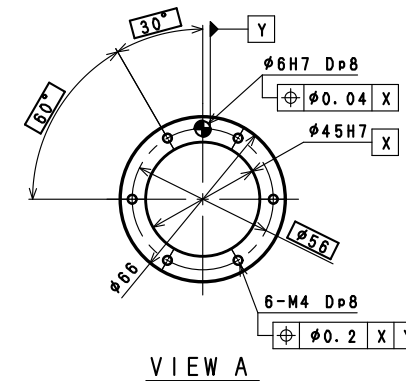
Robot specifications

1. Model	BA006N-A		
2. Type	Articulated robot		
3. Degree of freedom	6 axes		
4. Max. payload	6 kg		
5. Max. reach	1,445 mm		
6. Position repeatability	±0.06 mm (wrist flange surface) conforms to ISO 9283		
7. Axis specification	Operating axis	Motion range	Max. speed
	Arm rotation (JT1)	±165°	240°/s
	Arm out-in (JT2)	+150° - -90°	240°/s
	Arm up-down (JT3)	+90° - -175°	220°/s
	Wrist swivel (JT4)	±180°	430°/s
	Wrist bend (JT5)	±135°	430°/s
	Wrist twist (JT6)	±360°	650°/s
8. Load capacity of wrist		Max. torque	Moment of inertia*
	JT4	12 N·m	0.4 kg·m ²
	JT5	12 N·m	0.4 kg·m ²
	JT6	3.75 N·m	0.07 kg·m ²
<p>Note* Each value in this table shows allowable moment of inertia of JT4/JT5/JT6 when max. allowed torque is applied to each axis. If more detailed data is required for your application, please contact Kawasaki.</p>			
9. Mass	150 kg (without options)		
10. Mounting	Floor or Ceiling mounting		
11. Installation Environment	Ambient Temperature:	0 - 45 °C	
	Relative Humidity:	35 - 85 % (with no dew condensation)	
12. Color	Munsell 10GY9/1 equivalent		
13. Built-in utilities	Pneumatic piping (φ8 × 1 line) , Gas piping (φ8 × 1 line) Internal welding cable (60sq , from BASE(JT1) to JT3)		
14. Options	Shock sensor	Shock sensor made by BINZEL, TOKIN, Others	
	Welding torch	350A/ 500A , air cooling/water cooling * include welding cable from torch to wire feeder	
		Welding cable for wire feeder made by DAIHEN, Others	
	Solenoid valve	Double solenoid / Single solenoid valves (2 units max.)	
	Mechanical stopper	Adjustable mechanical stopper JT1	
	Installation stand	300 mm / 600 mm height	
	Installation base plate	750 mm × 750 mm	
	Color		

- Consult Kawasaki about maintenance parts and spare parts.
- This robot is for arc welding only. If you are willing to use this robot for other application, please consult us.



Installation Dimensions



BA006N-A
WORKING RANGE