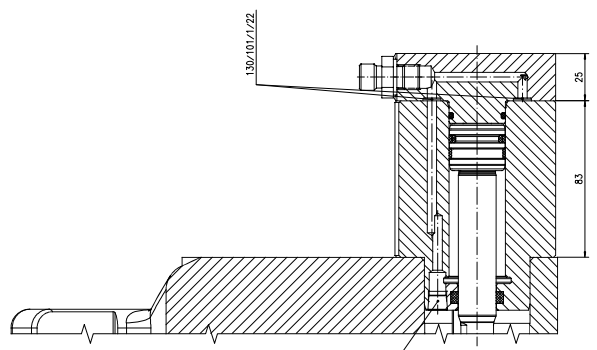
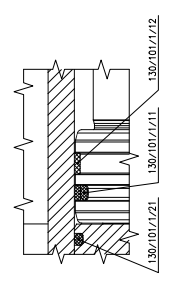


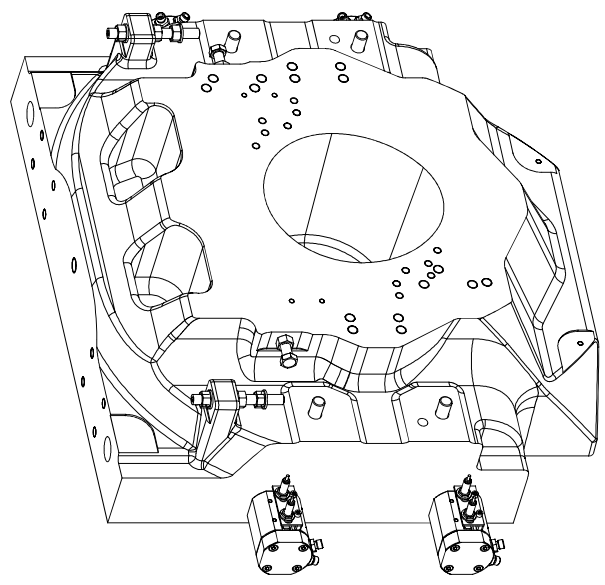
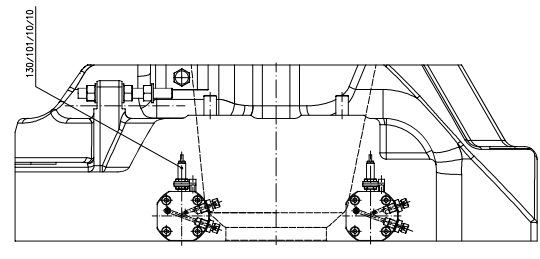
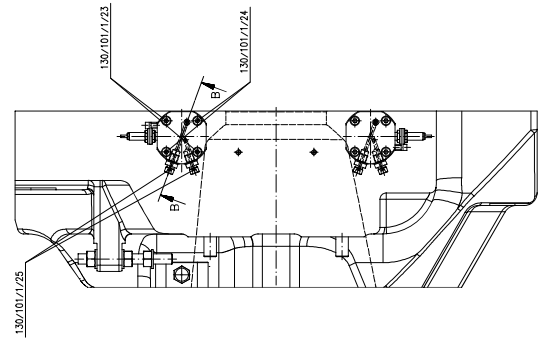
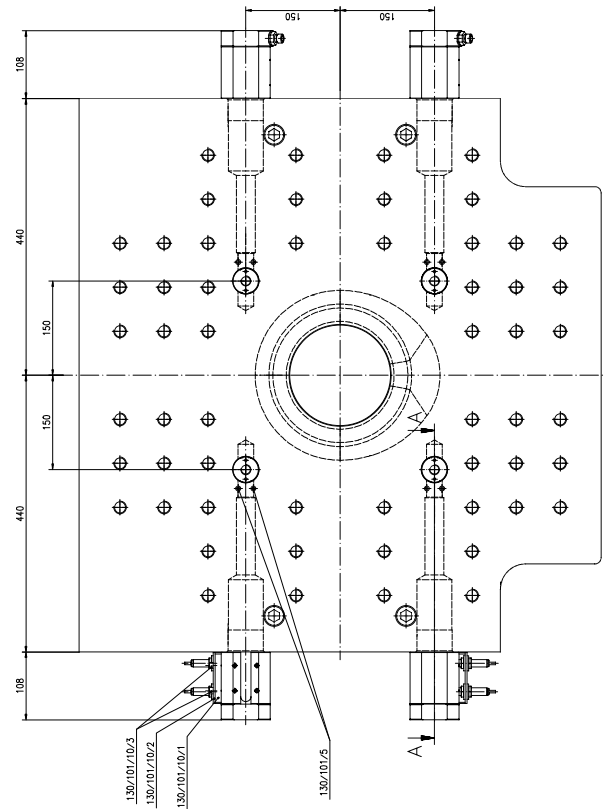
B-B (1:1)



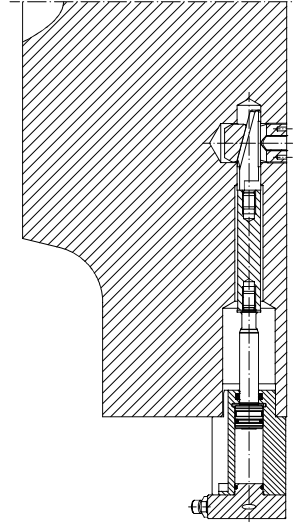
X (2:1)



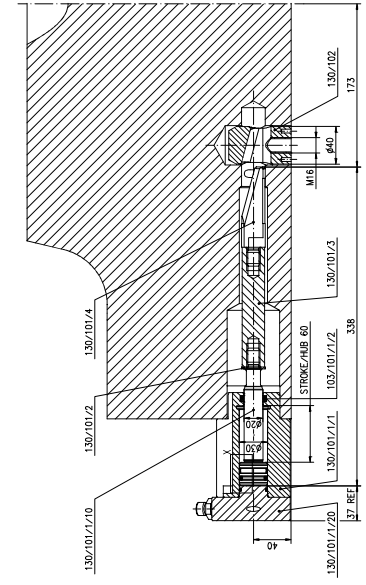
STATIONARY PLATE/FESTE AUFSPANNPLATTE



A-A (1:2)
CLOSED/GELOSSEN

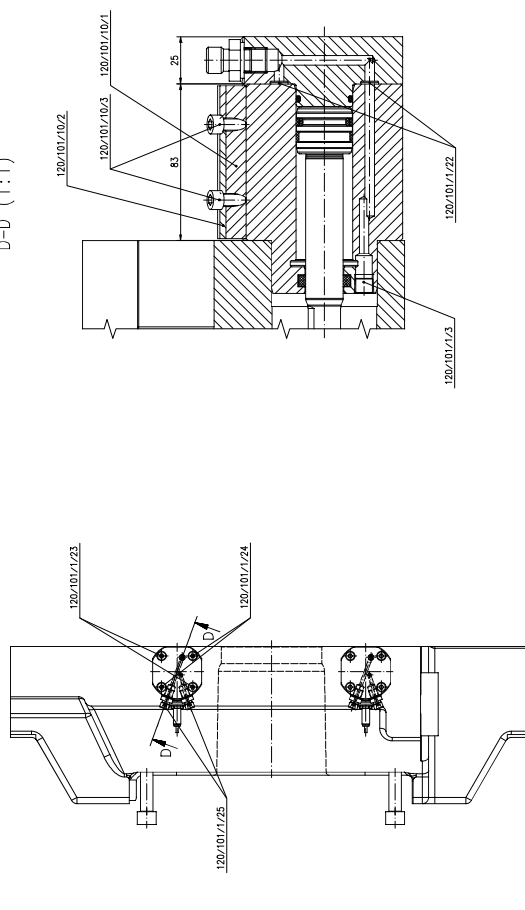
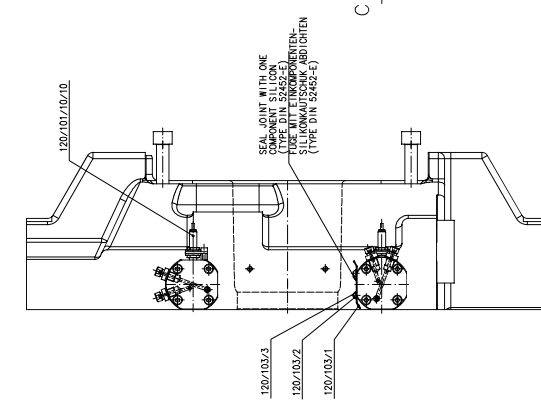
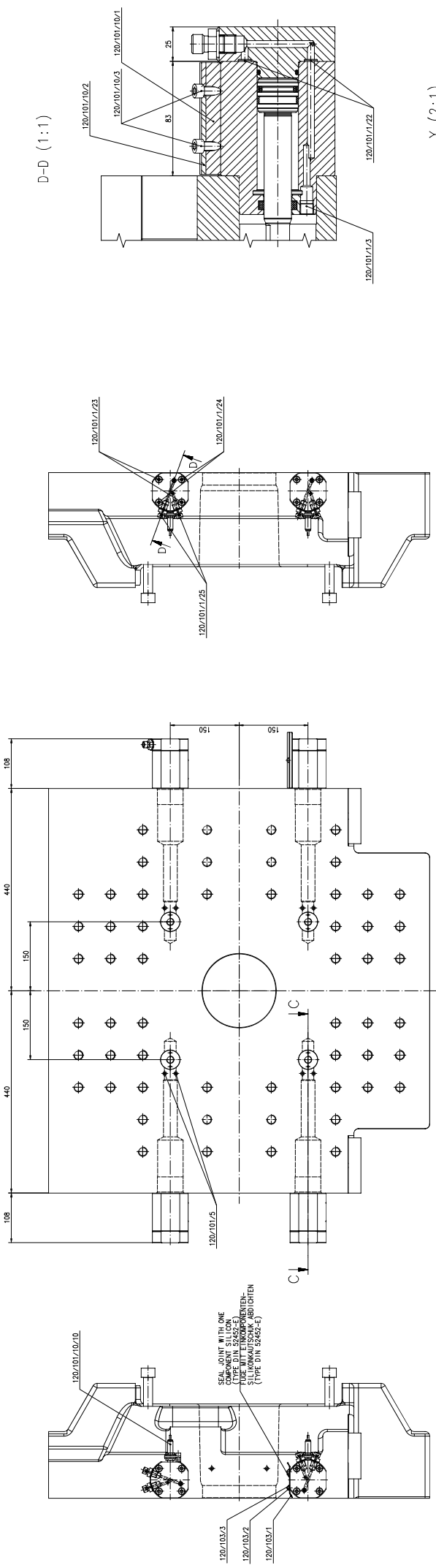


A-A (1:2)
OPENED/GEOFFNET

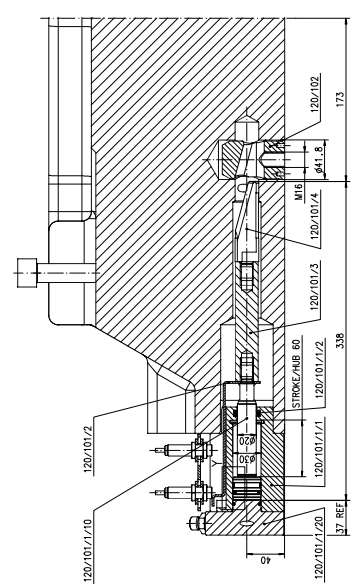


	FOR THE CUSTOMER: SCHMIDT SPANZUL 130/20 NIBBS NUMBER OF: 00 ORDER NO.: 2010-02-10 DATE: 2010-02-10
ORDER NO.: 0742-951-53-00 ORDER NO.: 130 1302 (1983) ORDER NO.: 130 8013 ORDER NO.: 130 8013	ORDER NO.: 130 1302 (1983) ORDER NO.: 130 8013 ORDER NO.: 130 8013
ORDER NO.: 130 1302 (1983) ORDER NO.: 130 8013 ORDER NO.: 130 8013	ORDER NO.: 130 1302 (1983) ORDER NO.: 130 8013 ORDER NO.: 130 8013

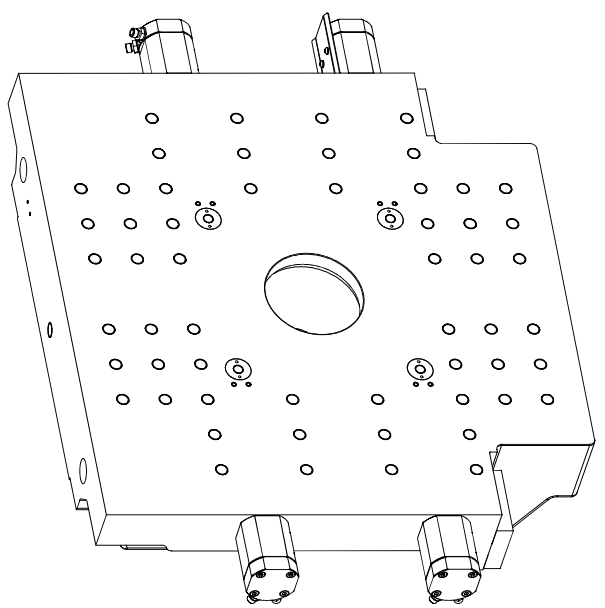
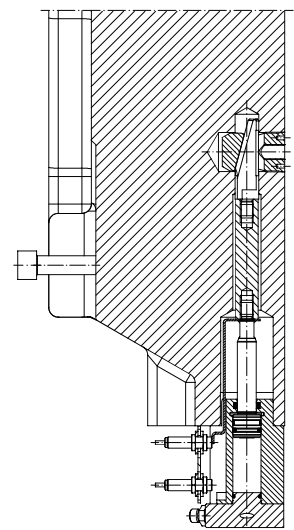
MOVING PLATE/BEWEGLICHE AUFSPANNPLATE



C-C (1:2)
OPENED/GEÖFFNET



C-C (1:2)
CLOSED/GESCHLOSSEN



<p> ORIGIN: CHINA PART NO.: 120/101/1/1 MANUFACTURER: SAMUEL SPANZLE ORDER NO.: 0742-951-53-00 DATE: 2010-02-10 ENGINEER: CHECKER: DRAWN: APPROVED: </p>	<p> 120/101/1/1 120/101/1/21 120/101/1/12 </p>
<p> 120/101/10/2 120/101/10/3 120/101/10/1 </p>	<p> 120/101/1/3 120/101/1/22 </p>
<p> 120/101/1/23 120/101/1/24 </p>	<p> 120/101/1/25 </p>