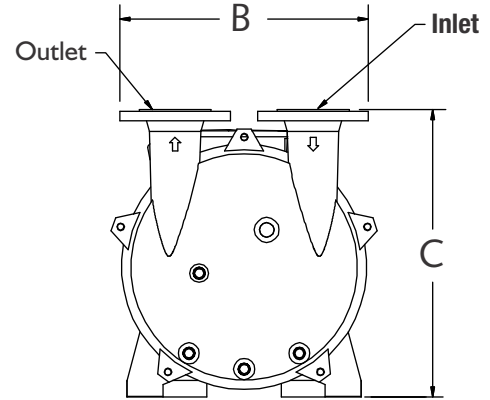
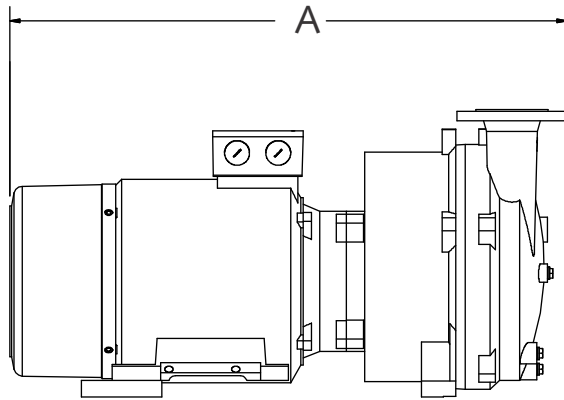


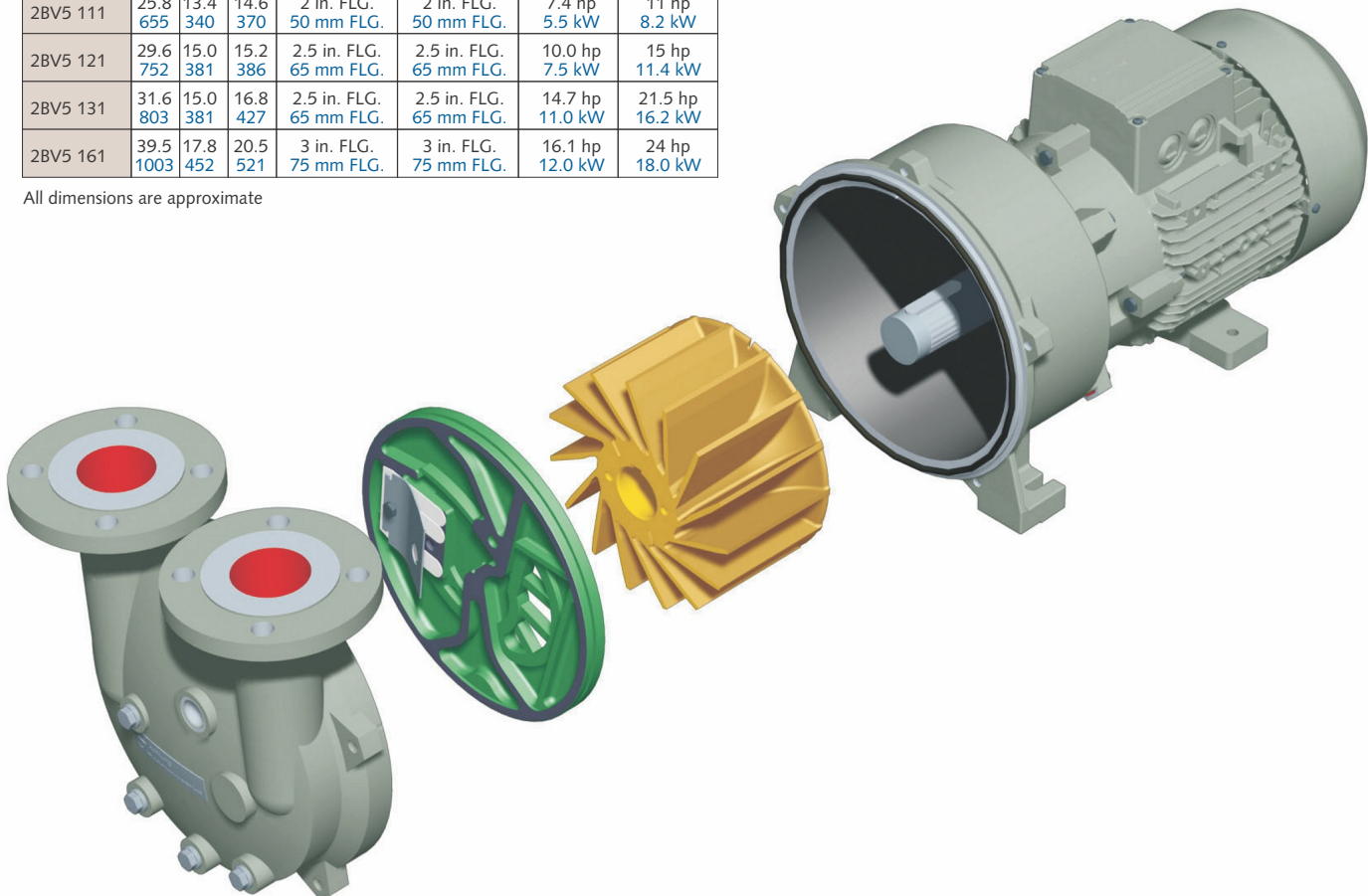
2BV5 Liquid Ring Vacuum Pumps



Dimensions mm in blue

Pump	A	B	C	Inlet	Outlet	Motor Output 50Hz	Motor Output 60Hz
2BV5 110	25.3 643	13.4 340	14.3 363	2 in. FLG. 50 mm FLG.	2 in. FLG. 50 mm	5.4 hp 4.0 kW	8.3 hp 6.2 kW
2BV5 111	25.8 655	13.4 340	14.6 370	2 in. FLG. 50 mm FLG.	2 in. FLG. 50 mm FLG.	7.4 hp 5.5 kW	11 hp 8.2 kW
2BV5 121	29.6 752	15.0 381	15.2 386	2.5 in. FLG. 65 mm FLG.	2.5 in. FLG. 65 mm FLG.	10.0 hp 7.5 kW	15 hp 11.4 kW
2BV5 131	31.6 803	15.0 381	16.8 427	2.5 in. FLG. 65 mm FLG.	2.5 in. FLG. 65 mm FLG.	14.7 hp 11.0 kW	21.5 hp 16.2 kW
2BV5 161	39.5 1003	17.8 452	20.5 521	3 in. FLG. 75 mm FLG.	3 in. FLG. 75 mm FLG.	16.1 hp 12.0 kW	24 hp 18.0 kW

All dimensions are approximate



NASH - Division of Gardner Denver

phone: +1 800 553 NASH · +1 724 239 1500 · fax: +1 724 239 1503 · email: nash@gardnerdenver.com

GDNash.com